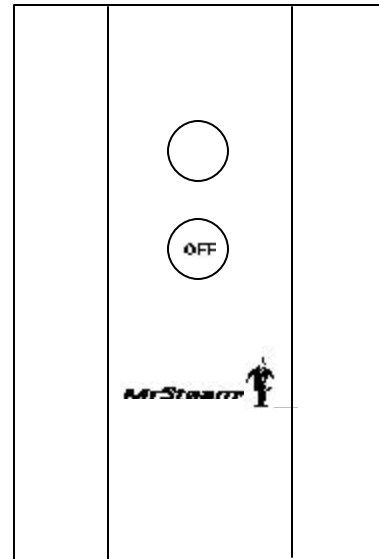


Smart/One® Control

Installation and Operating Instructions

Smart/One Box Contents:

- *Smart/One Control*
- *Control Cable*
- *Tube of Silicone*
- *Screws (2)*
- *Anchors (2)*
- *Template*
- *White Decal*
- *Installation & Operation Instructions*
- *Steam Head*
- *Escutcheon*



1. Locating the Control inside or outside the steambath enclosure:

The **Smart/One** control is designed to be installed inside or outside the steambath enclosure according to personal preference.

It is recommended that the **Smart/One** control is located about four to five feet above the floor. The control should be located away from direct shower spray and must be kept away from hot water piping and steam piping.

2. Determine if the installation of an electrical box is required.

The **Smart/One** control operates on a 24 VAC low voltage signal. Check your local building codes to determine if the use of an electrical box is required.

3. The **Smart/One** control cannot be used together with any other controls including the **Smart/Remote**, **Smart/Two**, and **Smart/Plus**.

CAUTION

Do not route the **Smart/One** control cable inside conduit together with power lines or close to hot water or steam piping. Doing so may result in a malfunctioning control.

SUSSMAN
Lifestyle
GROUP

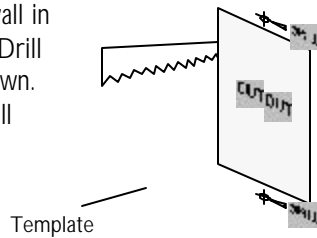
A Division of Sussman-Automatic Corporation
43-20 34th Street, Long Island City, NY 11101 • (718) 937-4500
1-800 767-8326 • Fax: (718) 472-3256 • <http://www.mrsteam.com>
Western Regional Offices
6050 West Jefferson Blvd., Los Angeles CA 90016
(310) 815-2577 • 1-800 727-8326 • Fax: (310) 815-1878



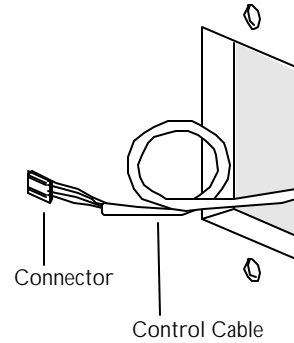
PUR 100303 Rev. 03/00

Step 1 Prepare desired location for Smart/One Control

- A. Remove template peel-off paper and attach the template to the wall in desired location. Drill and cutout as shown. Be exact. Clean all burrs and dust.



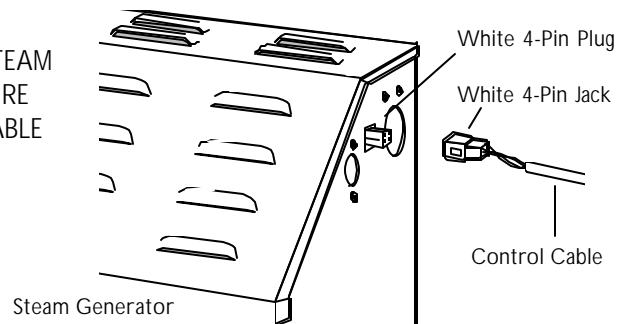
- B. Route the control cable from the wall cutout to the steam generator. Locate the end of the cable that has the single black connector at the wall cutout. Locate the other end with the white connector at the steam generator.



Step 2 Connect the control cable to the steam generator

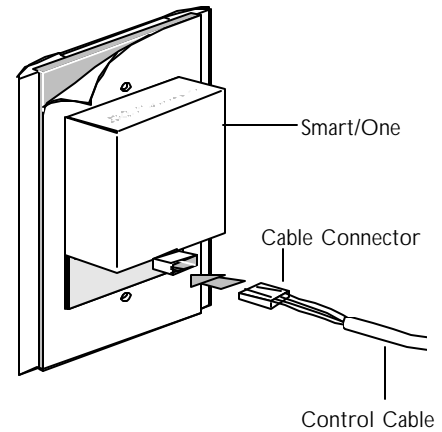
CAUTION TURN OFF ALL POWER TO THE STEAM GENERATOR UNTIL STEP 3. FAILURE TO DISCONNECT POWER MAY RESULT IN AN INOPERABLE CONTROL.

- A. Connect the control cable (the end with the white connector) to the steam generator connector.



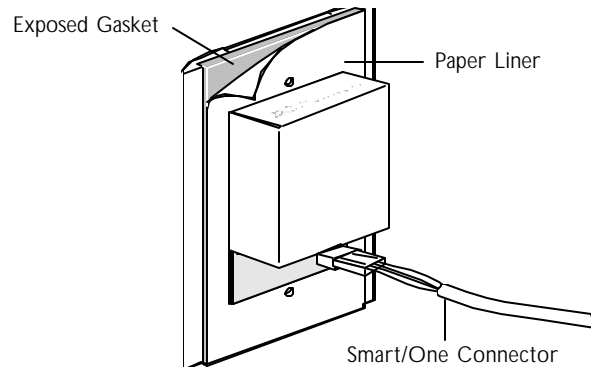
Step 3 Connect the control cable to Smart/One Control

- A. Firmly connect the black connector on the cable to the connector on the bottom of the SMART/ONE circuit board.
- B. Check all power connections for proper installation.
- C. RESTORE POWER AND TEST THE OPERATION OF THE SMART/ONE CONTROL ACCORDING TO THE OPERATION INSTRUCTIONS ON BACK COVER OF THIS INSTALLATION GUIDE. DO NOT EXPOSE CONTROL TO STEAM DURING TEST.
- D. AFTER POSITIVE TEST RESULTS proceed to STEP 4. If test results are negative review installation.



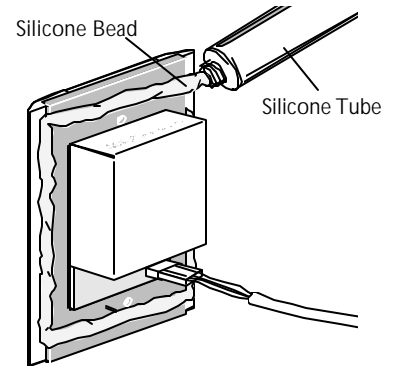
Step 4 Expose adhesive surface on back of Smart/One Control

Remove paper liner from back of SMART/ONE control to expose adhesive surface. Discard paper liner.



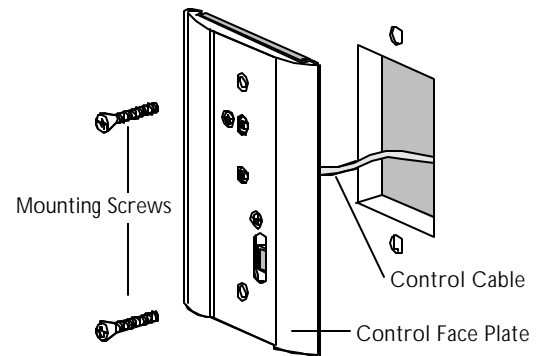
Step 5 Apply Silicone to Smart/One Control

- A. Make sure that the area around the cut out or electrical box is clean and free of debris.
- B. Run a bead of silicone (RTV sealant) along all four edges of the gasket as required to create seal between gasket and wall.



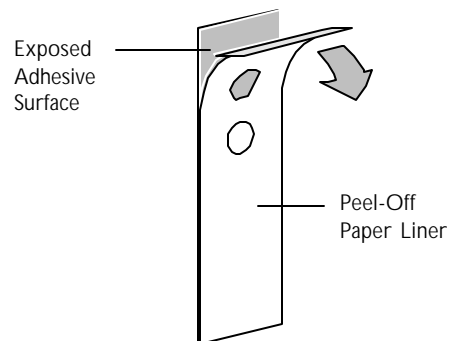
Step 6 Mount Control to wall with screws

- A. Make sure the "THIS END UP" label is pointed upward.
- B. Fully insert the supplied screws into the face plate holes and align with holes in wall.
- C. Keep the screws aligned and push the control against the wall until the adhesive gasket sticks.
- D. Tighten the screws until the gasket is firmly secured against the wall.
- E. Remove excess silicone.
- F. Remove the "THIS END UP" sticker and discard.



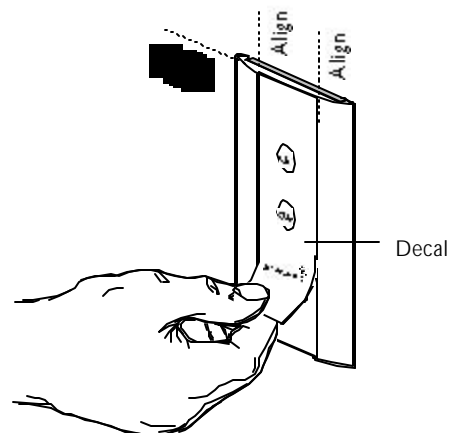
Step 7 Remove paper liner from decal

- A. Remove TAB A and TAB B with paper liner as shown.



Step 8 Align decal

- A. Align decal with recessed area on control.
- B. Lightly apply decal to surface.
- C. Check decal alignment.



Smart/One Operation

1. CONTROL " ON"

Depress and release the "ON" button. Steam will begin flowing out of the steam head after approximately five minutes. Steam will continue flowing for (60) minutes. The butler logo lights up in the "ON" mode.

2. CONTROL "OFF"

Depress and release the "OFF" button and the steam will stop flowing. This terminates the (60) minute cycle. The butler logo is off during this mode.

