

mr.steam® chromasteam™

Installation and Operating Instructions

Model MS Chroma

Box Contents

The MS Chroma includes all of the following:

- 1 Installation and Operation Manual
- 1 Light Fixture, Lens & LED Cluster
- 1 Tube of Silicone
- 1 30 Ft. cable for use with eTEMPO/PLUS

IMPORTANT NOTE: Only one MS CHROMA light may be connected to the control board in the steam generator.

IMPORTANT NOTE: Chromasteam™ System is for mood lighting only and not a substitute for general illumination.

IMPORTANT NOTE: The Chromasteam™ System is rated 14.4 wattas.

IMPORTANT NOTE: As you read these instructions, you will notice warning and caution symbols. This blocked information is important for the safe and efficient installation and operation of this Chromasteam™. These are two types of potential hazards that may occur during this installation and operation:

! WARNING

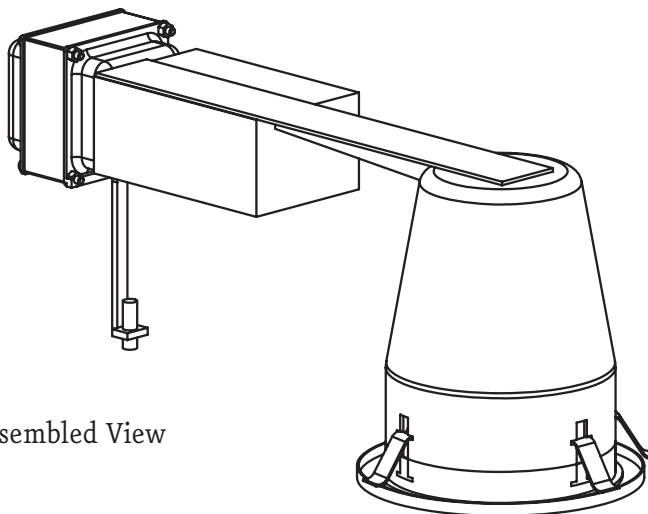
States a hazard which may cause serious injury or death if precautions are not followed.

! CAUTION

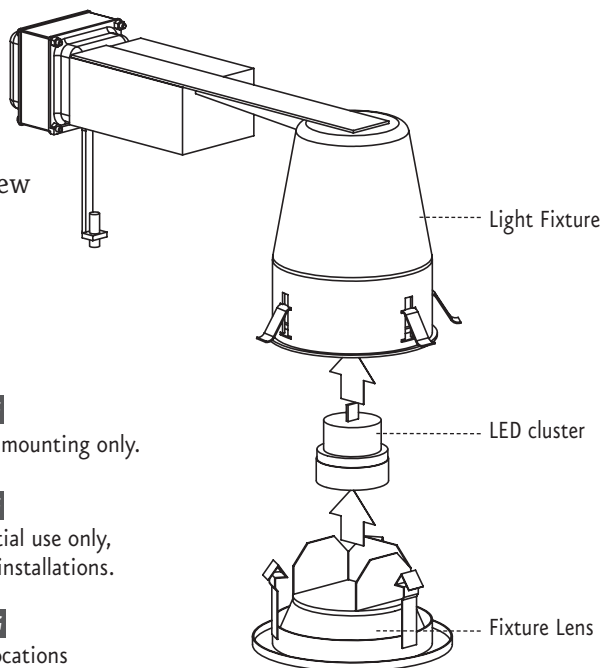
Signals a situation where minor injury or product damage may occur if you do not follow instructions.

IMPORTANT NOTE:

THIS HIGHLIGHTS INFORMATION THAT IS ESPECIALLY RELEVANT TO A PROBLEM-FREE INSTALLATION.



Assembled View



Exploded View

! WARNING

For recessed ceiling mounting only.

! WARNING

Suitable for residential use only, not for commercial installations.

! WARNING

Suitable for damp locations

! WARNING

Suitable for operation in ambient not exceeding 60°C (140°F)



PUR 100404 Rev 2.0/08

mr.steam®

Sussman-Automatic Corporation®
www.mrsteam.com
info@mrsteam.com

43-20 34th Street
Long Island City, NY 11101
TEL: 1 800 76 STEAM
FAX: 718 472 3256

9410 S. La Cienega Blvd.
Inglewood CA 90301
TEL: 1 800 72 STEAM
FAX: 310 216 2944

2008 Sussman-Automatic Corporation MR. STEAM and des., A LIFETIME OF PLEASURE, ALLEGRO, AROMAFLO, AUTO-FLUSH, CLEAN STEAM...EVERY TIME, MR.SAUNA, STEAM ON DEMAND, STEAM@HOME, SUSSMAN, SUSSMAN LIFESTYLE GROUP, TEMPO, TEMPO/PLUS, TEMPO/REMOTE, TEMPO/EXT, WARMATOWEL, eTEMPO, eTEMPO/PLUS, eTEMPO/REMOTE, eTEMPO/START and STEAMTHERAPY, are registered trademarks of Sussman-Automatic Corporation. AROMASTEAM, CLUB THERAPY, CHROMASTEAM, F1 PLUS, MUSICTHERAPY, SAUNA/ONE, MAKE WELLNESS a WAY OF LIFE and FROM BATHROOM TO SPA are trademarks of Sussman-Automatic Corporation.

INSTALLATION WHEN USING AN eTEMPO/PLUS® CONTROL

IMPORTANT NOTE: Only one MS CHROMA light may be connected to the control board in the steam generator.

! WARNING Installation to be performed by a qualified and licensed electrician.

! WARNING Insure that power is not supplied to the field wiring during installation. Turn off power at breaker panel.

! WARNING Insulation must be a minimum of 3" away from all sides of the fixture assembly.

1. Determine the placement of the light.

! CAUTION Do not install the fixture assembly (light) where direct contact with steam or water emission could occur. Do not install the light in a location where it could become submerged.

2. The light requires a $4\frac{1}{4}$ " diameter hole for mounting.
3. Provide electrical service (120 VAC) with flexible cable only. Pass cable through ceiling opening and wire fixture in accordance with NEC and local electrical code.

! WARNING DO NOT install the wall switch in the steam room. The switch must be installed in a location and manner described in the NEC and local electric codes.

! CAUTION Do not use a dimmer switch to control the ChromaSteam Lights

4. Route the 30 foot cable supplied with the ChromaSteam from your steam bath generator through one of the knockouts in the ChromaSteam light wiring box. Provide a suitable strain relief bushing.

IMPORTANT NOTE: The quick connect tabs should be on the generator side, the Molex connector should be routed to the light, see figure 2.

5. Connect the quick connect tabs to the control board in the generator at the location marked CHROMA, see figure 4.
6. Remove the red jumper wire shown in figure 3 and discard. Connect the wire from the steam generator to the connector where the jumper was.
7. Connect the supply wires per the wiring diagram shown on pg.4. Use suitable wire nuts (not included) to insulate and secure the supply connections.
8. Connect copper ground wire from wiring box to ground wire from electrical service using a wire nut to secure the connection.
9. Use the support adjustment screw shown to provide support for the housing on the inside surface of the ceiling when installed.
10. With the clips folded into the fixture as shown in figure 1 insert the wired housing into the ceiling junction box first as shown in figure 2.

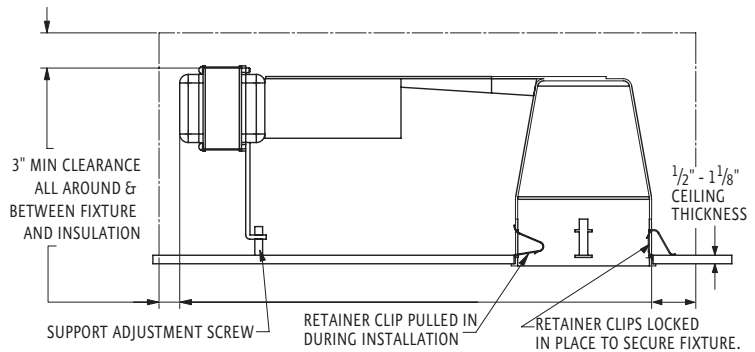


Figure 1

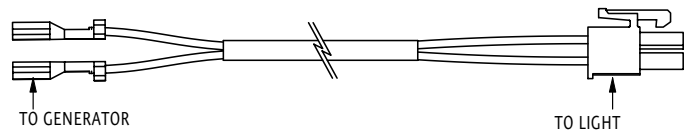


Figure 2

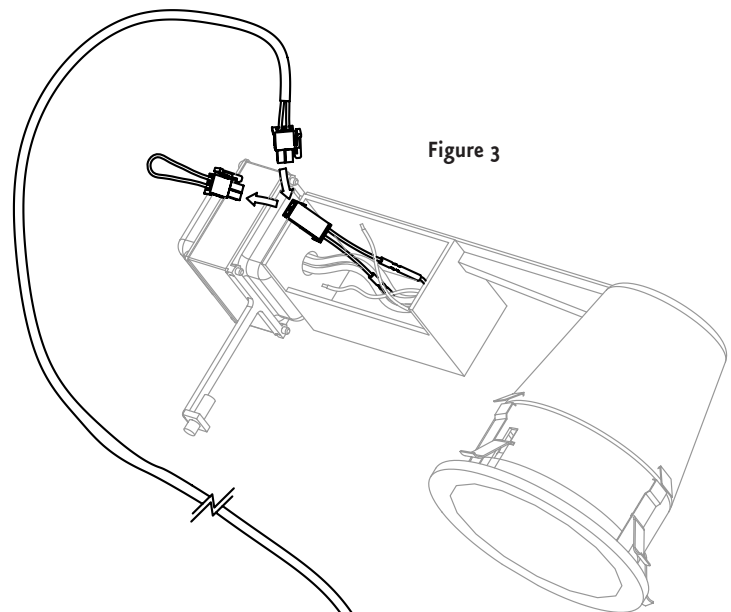


Figure 3

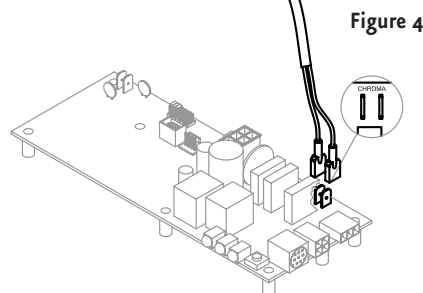
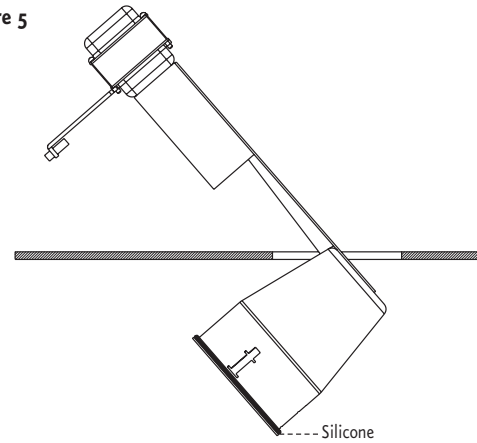


Figure 4

11. Apply a bead of silicone between the flange on the fixture and the ceiling (fig. 5) as required to create a moisture seal.
12. Hold fixture up against the ceiling and push clips through housing slot. To lock clip in place push flat portion against the side of the fixture using a flat head screwdriver (fig. 6).
13. Install the LED cluster into the wedge base in the fixture.
14. Apply a bead of silicone around the foam gasket on the lens as required to ensure the fixture is sealed from moisture.
15. Install the fixture lens flush with the ceiling.

IMPORTANT NOTE: In areas where excessive ceiling vibration can occur, we suggest using a 1/4 - 14 x 1/2" pan head sheet metal screw to lock the spring clip against the housing. Drive the screw through the hole provided in the spring clip and into the housing slot.

Figure 5



OPERATION

1. Ensure the wall switch is left in the ON position.
2. The nine color modes in order are:

a. Bright White	f. Green
b. Blue/Green	g. Red
c. Violet	h. Chameleon (slow automatic cycle)
d. Blue	i. Party Mode (fast automatic cycle)
e. Yellow	
3. To cycle through the color choices turn the light off for 1 to 2 seconds using the CHROMA button on your eTEMPO/PLUS control as shown. When the light is turned back on the next color will illuminate. Continue turning the light on and off till you select the desired light to fit your mood.

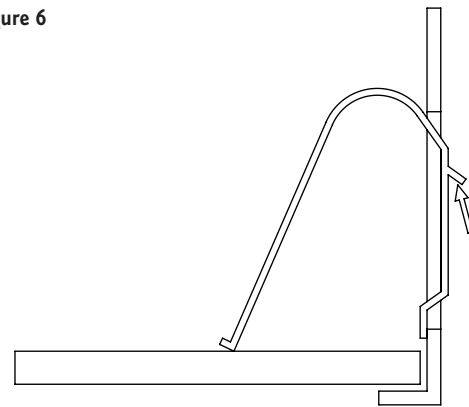
NOTE: The ChromaSteam lights can be turned ON/OFF from the eTEMPO/PLUS control even if the steam generator is not ON.

4. If multiple lights are installed with one wall switch they can be synchronized. Remove all the LED clusters except one. Turn the switch ON and note the color. Remove that cluster and install the next. Turn the switch ON/OFF until the second cluster matches the first. Remove the second cluster and repeat the process for all the clusters used. Reinstall all the clusters when completed and they will be synchronized.

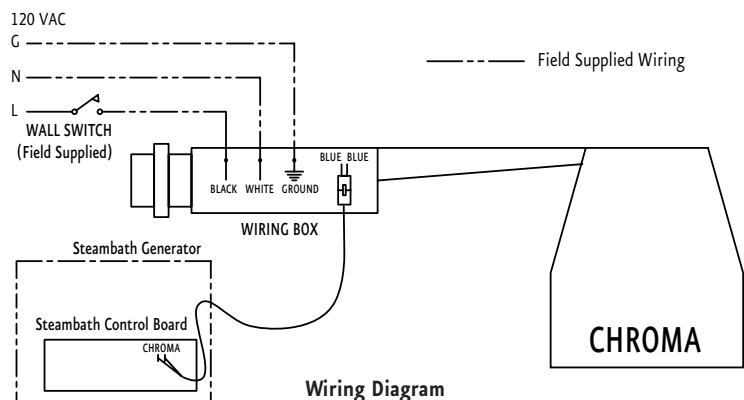
CAUTION Ensure power is turned off at the breaker before installing LED cluster. Hot Swapping LED clusters could render them inoperable.

Please contact Mr.Steam Technical Support at 1-800-STEAM for replacement LED clusters, part number 103960.

Figure 6



Chroma button



GENERAL INSTALLATION for Tempo[®], Tempo/Plus[®], eTempo[®] & stand alone

See page 3 for installation instructions when installed with an eTempo/Plus control.

! WARNING Installation to be performed by a qualified and licensed electrician.

! WARNING Insure that power is not supplied to the field wiring during installation. Turn off power at breaker panel.

! WARNING Insulation must be a minimum of 3" away from all sides of the fixture assembly.

1. Determine the placement of the light.

! CAUTION Do not install the fixture assembly (light) where direct contact with steam or water emission could occur. Do not install the light in a location where it could become submerged.

2. The light requires a 4¹/₄" diameter hole for mounting.

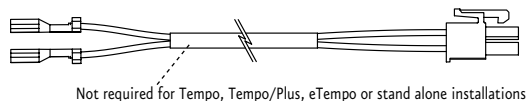
3. Provide electrical service (120 VAC) with flexible cable only. Pass cable through ceiling opening and wire fixture in accordance with NEC and local electrical code. A standard single pole wall switch must be installed to turn the light on and off. One wall switch can be used to control multiple lights.

! WARNING DO NOT install the wall switch in the steam room. The switch must be installed in a location and manner described in the NEC and local electric codes.

! CAUTION Do not use a dimmer switch to control the ChromaSteam Lights

4. Connect the supply wires per the wiring diagram. Use suitable wire nuts (not included) to insulate and secure the connection.
5. Connect copper ground wire from wiring box to ground wire from electrical service using a wire nut to secure the connection.
6. Use the support adjustment screw shown to provide support for the housing on the inside surface of the ceiling when installed.
7. With the clips folded into the fixture as shown in figure 1 insert the wired housing into the ceiling junction box first as shown in figure 2.
8. Apply a bead of silicone between the flange on the fixture and the ceiling (Fig.2) as required to create a moisture seal.
9. Hold fixture up against the ceiling and push clips through housing slot. To lock clip in place push flat portion against the side of the fixture using a flat head screwdriver (Fig.3).
10. Install the LED cluster into the wedge base in the fixture.
11. Apply a bead of silicone around the foam gasket on the lens as required to ensure the fixture is sealed from moisture.
12. Install the fixture lens flush with the ceiling.

IMPORTANT NOTE: In areas where excessive ceiling vibration can occur, we suggest using a 1/4 - 14 x 1/2" pan head sheet metal screws to lock the spring clip against the housing. Drive the screw through the hole provided in the spring clip and into the housing slot.



OPERATION

1. The nine color modes in order are:

- | | | |
|-----------------|-----------|--------------------------------------|
| a. Bright White | d. Blue | g. Red |
| b. Blue/Green | e. Yellow | h. Chameleon (slow automatic cycle) |
| c. Violet | f. Green | i. Party Mode (fast automatic cycle) |

2. To cycle through the color choices turn the light off for 1 to 2 seconds, when the light is turned back on the next color will illuminate. Continue turning the light on and off till you select the desired light to fit your mood.

3. If left off for more than 5 seconds the last color selection will be stored in the memory. When the light is turned on after being off for more than 5 seconds it will be the color of your last selection. To select a different color simply turn the light on and off as described above to cycle through the colors.

! CAUTION Ensure power is turned off at the breaker before installing LED cluster. Hot Swapping LED clusters could render them inoperable.

Please contact Mr.Steam Technical Support at 1-800-STEAM for replacement LED clusters, part number 103960.

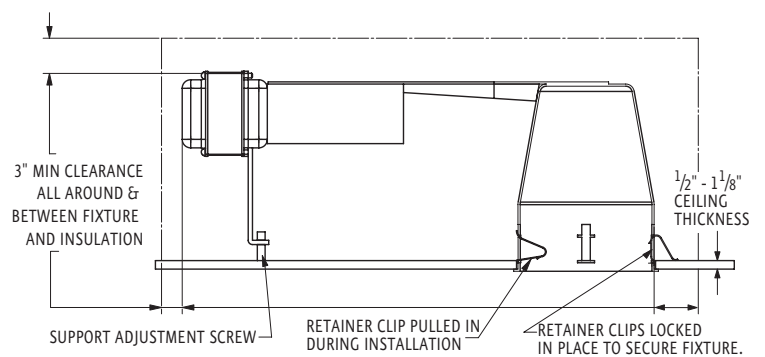


Figure 1

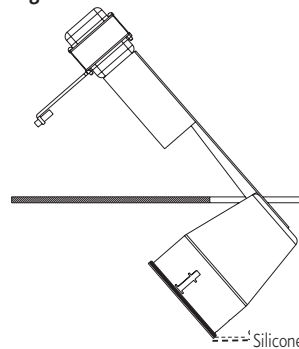


Figure 2

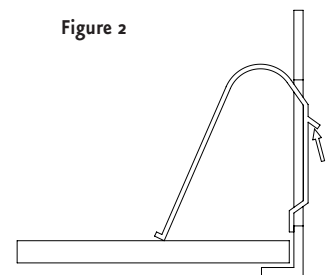


Figure 3

Wiring Diagram

