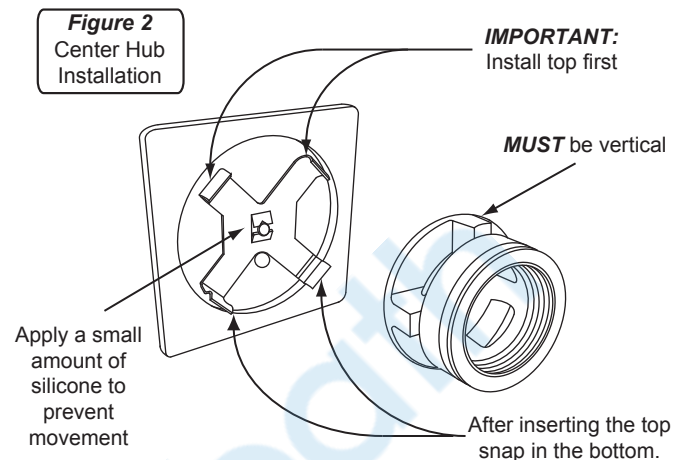


1. Make sure the 3/4" nipple protrudes beyond the tile approximately 1/2". (See Figure 1)
2. Wrap the nipple with pipe sealant tape.
3. Put a bead of silicone around the outer edge of the Back Plate (see Figure 1) and center the back plate over the pipe in an upright position. While holding it in place screw the Center Hub on to the nipple, using a 3/8" Hex Key to tighten.
4. The Center Hub **MUST** be aligned with the four walls in the vertical and horizontal position. (See Figure 2) Make sure the steamhead o-ring is fully seated into the Back Plate. If the nipple is sticking out too far the o-ring will not make a proper seal and the nipple must be adjusted.
5. Apply a small amount of silicone at the back center point of Cover Plate. This will aide in preventing movement of this plate. (See Figure 2)



6. Place the Cover Plate over the Center hub. This is accomplished by first hooking the top and then snapping the bottom into place.
7. Adjust the Back Plate and Cover Plate to line up squarely and clean excess silicone with rubbing alcohol.

