

# STEAMIST®

Steamhead

Model: 3199

## Product Information – 3199

**Material:** Brass

**Product No. - Finishes:**

**3199-PC** - Polished Chrome

**3199-PN** - Polished Nickel

**3199-BN** - Brushed Nickel

**3199-AB** - Antique Brass\*

**3199-PB** - Polished Brass\*

**3199-PG** - Polished Gold

**3199-ORB** - Oil Rubbed Bronze

**3199-BB** - Brushed Bronze

**\*While Supplies last**

## Notes

### Installation Notes

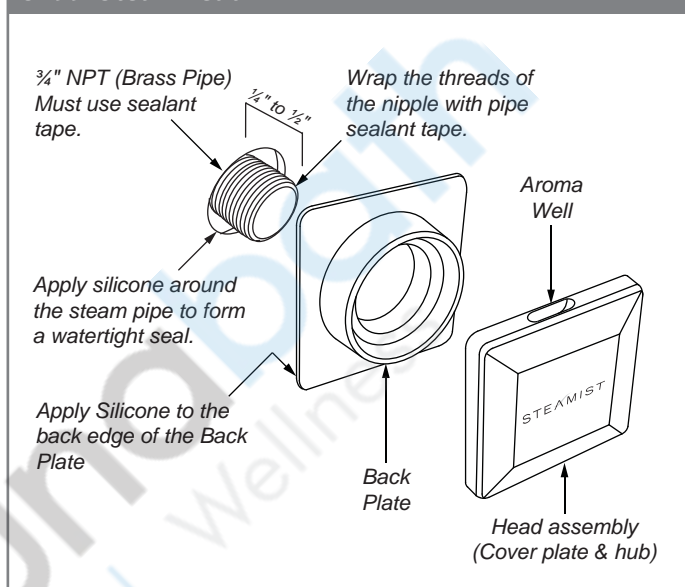
Steamline - 3/4" Copper or Brass NPT male thread.

### Rough-in Notes

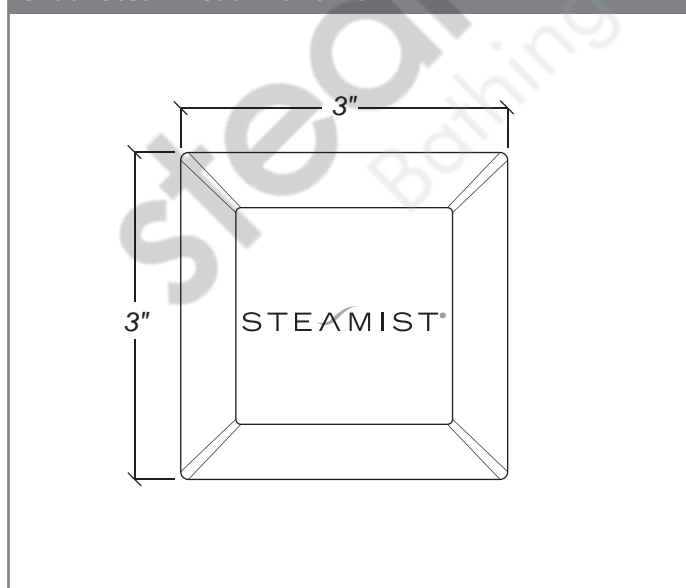
Steamline should protrude 1/4" to 1/2" from finished surface.

Steamhead to be mounted 18" above the finished floor or 6" above the rim of the tub and as far from the seating area as possible.

3199 Steamhead



3199 Steamhead Front View



3199 Steamhead Side View

