

Allegro[®]

by MrSauna

INSTALLATION AND OPERATION MANUAL



A - 100 L



A - 300 L



A - 400 L



A - 200

MAINTENANCE AND ACCESSORIES



Saunas expose the users to elevated temperatures. If used improperly or by inappropriate persons, exposure to heat can be harmful to health, causing overheating, hyper-thermia, and even death. The following guidelines must be followed:

- Leave sauna immediately if uncomfortable, dizzy or sleepy.
- Staying too long in sauna can cause overheating and even death.
- Especially at risk are children under 10, the elderly, and those taking alcohol, drugs, and medicine.
- Check with a doctor before using sauna if pregnant, or under medical care.



The "Caution" and "Warning" placards shall be mounted in accordance with the Placard Section.



Use only sauna room accessories and fasteners provided and approved for use in a sauna room. DO NOT modify the sauna room.



DO NOT use polyurethane, paint, wood sealer, etc. The high temperatures in your sauna may cause the release of harmful, or even fatal toxic fumes. DO NOT modify, alter or add to construction of the sauna room. Doing so may result in unsafe conditions.

LIGHT BULB REPLACEMENT

The light bulb(s) are hi-temperature 60 watt appliance grade bulbs for very long life. If a light bulb needs replacement open the light box inside the sauna room as follows:

1. Remove all the wooden plugs from the angled wooden panel of the light box.

NOTE:

These may be lightly glued and some force may be required. Channel locks or pliers may help with plug removal.

2. Using a cordless drill remove all the screws.

IMPORTANT NOTE:

Secure the panel against falling as the last screws are removed. As the angled panel is removed use care not to dislodge the glass.

3. Slide the glass out of the grooves.
4. Using a screw driver remove the fixture cover & replace the bulb.
5. Re-assemble the light box.

MAINTENANCE AND CLEANING

The sauna room should be cleaned occasionally with a damp cloth. Never use any solvents or bleaches. The rocks should be removed once a year for cleaning. Replace with original factory rocks if they appear to be crumbling. Never apply a finish or any material to the room interior. Some darkening to the wood will occur as a natural reaction to heat and body contact.

PLACARDS

Two metal placards are included in the Installation Instruction Envelope packaged with every Sauna Heater. The CAUTION placard shall be attached to the interior of the sauna room in a visible location away from possible bodily contact, preferably above the heater at eye level.

The WARNING placard shall be attached at eye level to the outside door of the sauna room in a visible location. Screws for attaching the placards are furnished.

SAND TIMER

Mount the sand timer to the wall in a vertical position in a location to prevent contact with the sauna bather.

THERMOMETER/HUMIDITY GAUGE

Locate the thermometer and humidity gauge 6" down from the ceiling on a wall preferably so that the gauge can be observed from outside the sauna room through a door or window.

BUCKET AND DIPPER

Dippers have long wooden handles to help keep from exposing hands to steam. Do not pour chlorinated pool or spa water on heater. Use only fresh, clean tap water. Excessive water use on heater may cause damage and void warranty.

GENERAL ASSEMBLY - ALL ROOMS

Some installations may require partial room assembly before the room is moved to the final position. Never move a room that includes glass panels. Moving a room or a partial room with glass panels may cause the glass to break causing property or physical damage.



Electrical outlets, receptacles or electrical products must not be installed in a sauna room.

Installation of electrical outlets or products in the sauna room may result in personal injury and/or property damage.

1. Locate the Allegro Sauna room on a flat and level surface only. If the surface is not flat then use the shims provided for leveling as required.
2. The flooring surface must be non combustible.
3. Installation takes a few hours with two people not including the electrical supply connections.
4. Required tools:
 - Cordless drill with Phillips bit
 - Drill bit 1/16" diameter
 - Screw driver
 - Step ladder
 - Level
5. Remove all the room sections from the crate. Note that all room sections are marked with a letter label. The letter labels are located on the interior face of the room and indicate which side is up.

NOTE 1:

The position of the base will determine the final location of the room. The room can not be moved once it has been completely assembled.

NOTE 2:

All the following wall and ceiling "Assembly" operations require that sections are screwed together. Locate the individual screw packets in the bucket. Verify screw usage on the screw package label or by the screw legend on pages 5, 9, 13 & 17.



DO NOT substitute any screws. Substitution may result in equipment damage.

NOTE 3:

Make sure the top and bottom of all wall sections are even. Wall sections that are not even will result in excessive heat loss, and may result in poor panel fit in other sections.

NOTE 4:

Solid wall sections (sections without glass) have a channel on the top and bottom, which fit into the base template and ceiling panel.

A - 200 : PARTS LIST

QTY DESCRIPTION

1	Base (Z)
1	Wall (B)
1	Wall (D)
1	Back Wall (C)
1	Curved Glass Wall (E)
1	Front Wall with Light Switch & Heater (A)
1	Door (G)
1	Ceiling (F)
2	Floor (I, H)
2	Benches (N, O, P)
2	Corner Trim (L)
1	Sauna Guard (M)
1	Rocks
1	Sand-Glass
1	Bucket
1	Ladle
1	Installation, Operation and Maintenance Manual

FASTENERS FOR ROOM ASSEMBLY

QTY	FASTENER	APPLICATION
5	2" Screw	Door frame (G) to wall panel (A)
15	2-3/8" Screw	Wall panels: (A + B), (B + C), (D + C)
5	1-1/2" Screw	Door (G) to wall panel (E)
5	1-3/8" Screw	Screws to assemble the ceiling to the door frame
5	1-3/8" Screw	Wall Panels: (D + E)
12	4" Screw	Ceiling (F) to wall panels (A, B, C, D, E)
2	2-3/4" Screw	Ceiling (F) to door frame (G)
15	1-1/2" Screw	Corner Molding (L), Sand glass
10	Mushroom Wooden Plugs	(D + E), (A + G)
5	Flat wooden plugs	(G + E)
4	Plastic shims	General room levelling as required

A - 200 ASSEMBLY

Some installations conditions may require partial room assembly before the room is moved to the final position. Never move a room that includes glass panels. Moving a room or a partial room with glass panels may cause the glass to break causing property or physical damage.



DO NOT substitute any screws. Substitution may result in equipment damage.

See *General Assembly Instructions* on page 4 before assembling the A-200 room.

NOTE:

All the following wall and ceiling "Assembly" operations require that wall sections are screwed together. Locate the individual screw packets in the bucket. Verify screw usage on the screw package label or by the correct screw legend on page 9.

NOTE:

Make sure the top and bottom of all wall sections are even. Wall sections that are not even will result in excessive heat loss, and may result in poor panel fit in other sections.

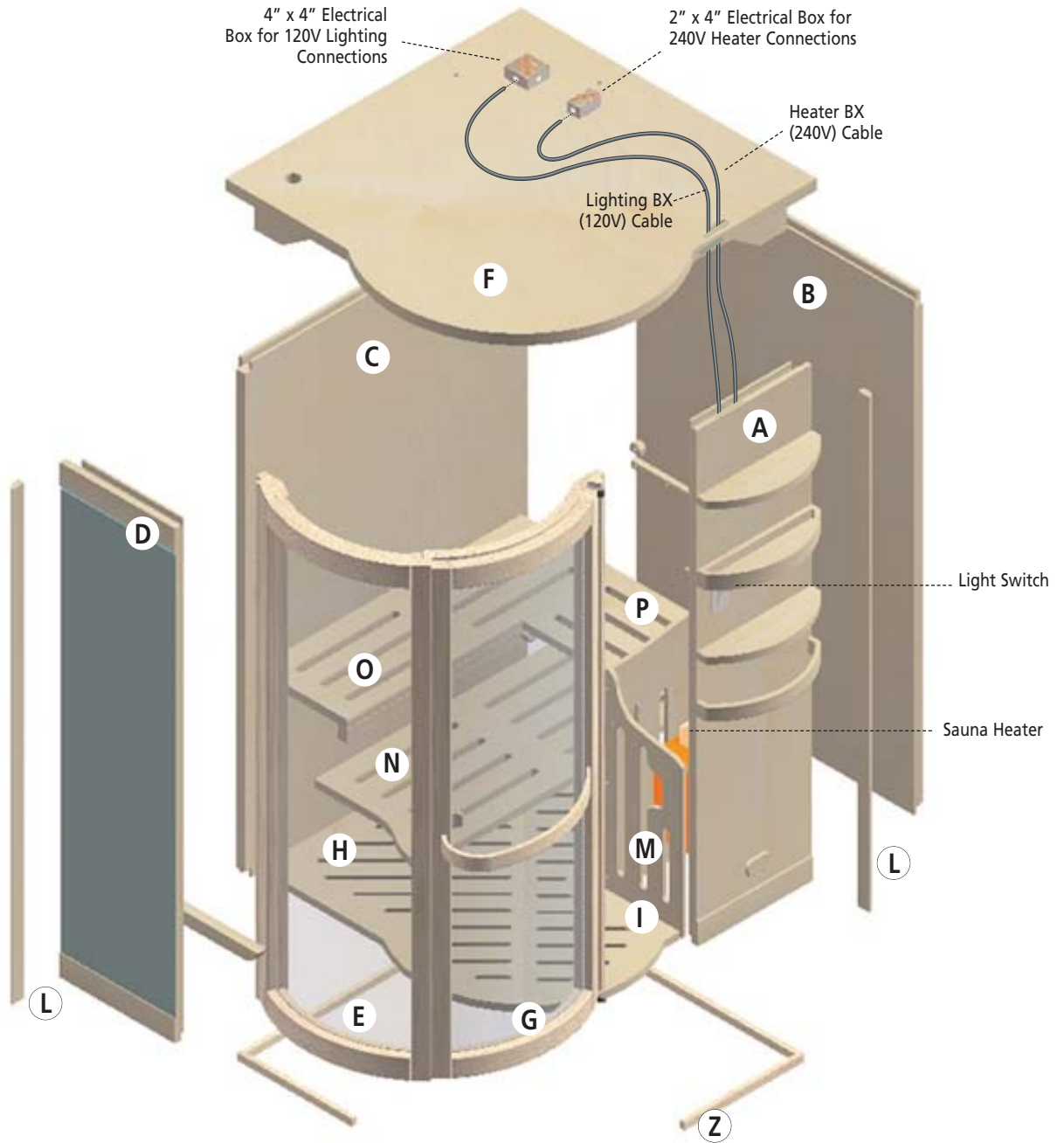
- Locate the base (Z) and place it in the desired room location. Check that the correct side is "UP".
- Set wall sections (B) and (C) on top of the template as shown in fig. (2.1).
- Assemble wall sections (B) and (A) as shown in fig. 2.1. Fasten with screws as required.
- Assemble wall section (E) (this wall section does not drop onto the base) as shown in fig. 2.1. Fasten with screws as required.
- Assemble door section (G) (this section does not drop onto the base). Make sure the door is assembled right side up. (The door handle should be aligned with the shelf to the right of it.) Fasten with screws as required. Place wooden plugs provided into the screw holes.
- Assemble the ceiling section (F) as shown. Guide the two BX cables through the ceiling slot. Note: Some "push & pull" on the walls may be required to allow the ceiling section to drop into place.
- Check the door for fit. If the door does not latch perfectly then the room may not be level or the walls out of position.
- Pre drill top of door frame with 1/16" drill.
- Fasten the ceiling with screws as required.



DO NOT stand on, or otherwise place weight on the ceiling section, doing so may result in damage and personal injury.

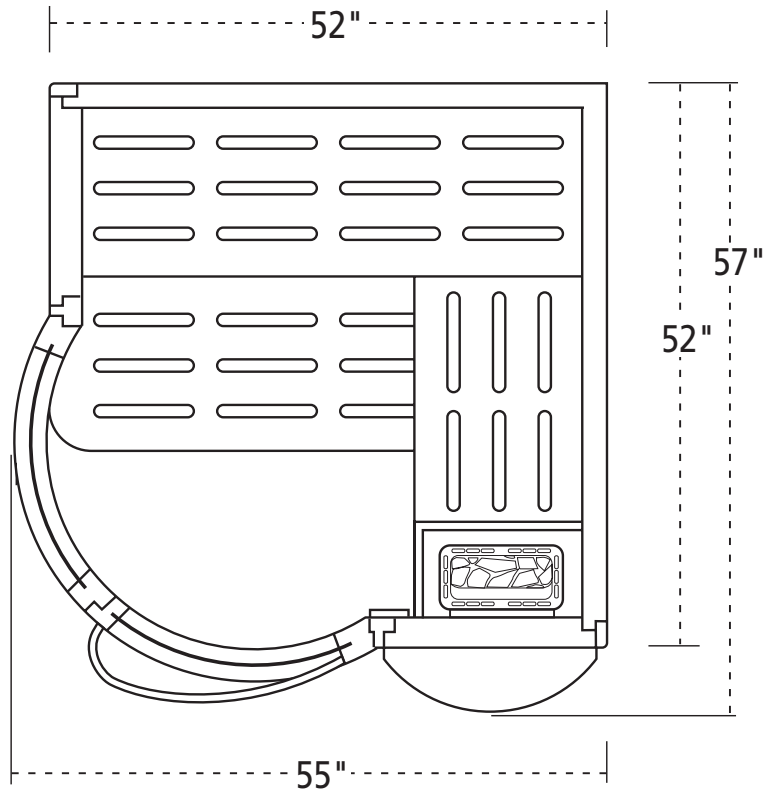
- Assemble the (2) corner moldings(L).
- Place the rocks in the heater per instructions on page 22 of this instruction manual.
- Place the heater protective guard (M) in the room as shown.
- Place the floor sections (I) and (H) as shown.
- Place the lower bench (N) as shown.
- Place the upper benches (O) and (P) as shown.
- See page 25 for electrical connections.

A - 200 EXPLODED VIEW - FIG. 2.1



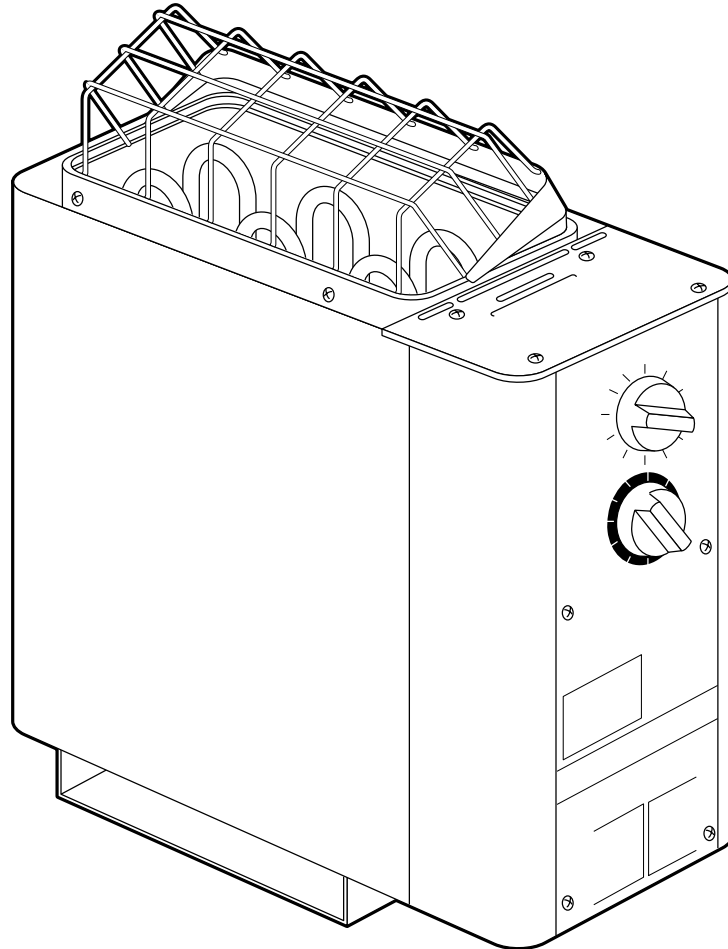
(A) Wall	(D) Wall	(G) Door	(L) Corner Trim	(O) Upper Bench
(B) Wall	(E) Wall	(H) Floor	(M) Heater Protective Guard	(P) Upper Bench
(C) Wall	(F) Ceiling	(I) Floor	(N) Lower Bench	(Z) Base

A - 200 PLAN VIEW - FIG. 2.2



Height: 78"

HEATER SPECIFICATIONS



CAUTION

Inspect sauna regularly for required maintenance to heater, rocks, control and benches. Replace wood surfaces which show any signs of deterioration.

WARNING

Electric Shock Hazard - High voltage exists within this equipment. There are no user serviceable parts in this equipment. Service to this equipment should be performed by qualified licensed personnel in accordance with local and national codes. Failure to do so may expose user or repair person to dangerous high voltage and may result in an unsafe or inoperable heater. Electrical outlets or receptacle must not be installed in a sauna room. Outlets may expose user to shock.

The Allegro® Sauna Heater is listed by Underwriters Laboratories. These are for permanent installation and electrical connection.

HEATER SPECIFICATION CHART

HEATER MODEL	MAX NUMBER OF PERSONS	HEATER RATING
A-100L, A-100R	1	2.0 kW, 240/1
A-200	2	2.6 kW, 240/1
A-300, A-300R	2	2.6 kW, 240/1
A-400L, A-400R	2	2.6 kW, 240/1

NOTE: All Models are provided with factory wired timer, operating temperature control and pilot light.

ROCK INSTALLATION

The Sauna heater must not be operated unless the rock compartment in the top of the heater is filled with the rocks that are furnished with the heater. They should be placed so that the air is free to travel between the rocks. Over packing the rocks may trip the heater hi-limit temperature device.

INSTALLING THE ROCKS

1. Verify that the heater is securely mounted to the wall.
2. Verify that the heater is OFF and that the elements and rock guard are not hot.
3. Remove heater wire rock guard by removing (2) screws as shown below.
4. Check the rock compartment and remove any packing or foreign materials.
5. Open the rock carton and place the rocks into the rock compartment as shown in diagram below. The rocks should be positioned so that the air is free to travel between the rocks.

IMPORTANT NOTE: Over packing the rocks may trip the heater hi-limit temperature device.

6. Replace wire rock guard and screws. The rocks should fit so that the wire rock guard fits easily on the heater. Any rocks that are protruding or touching the wire rock guard should be removed and discarded.



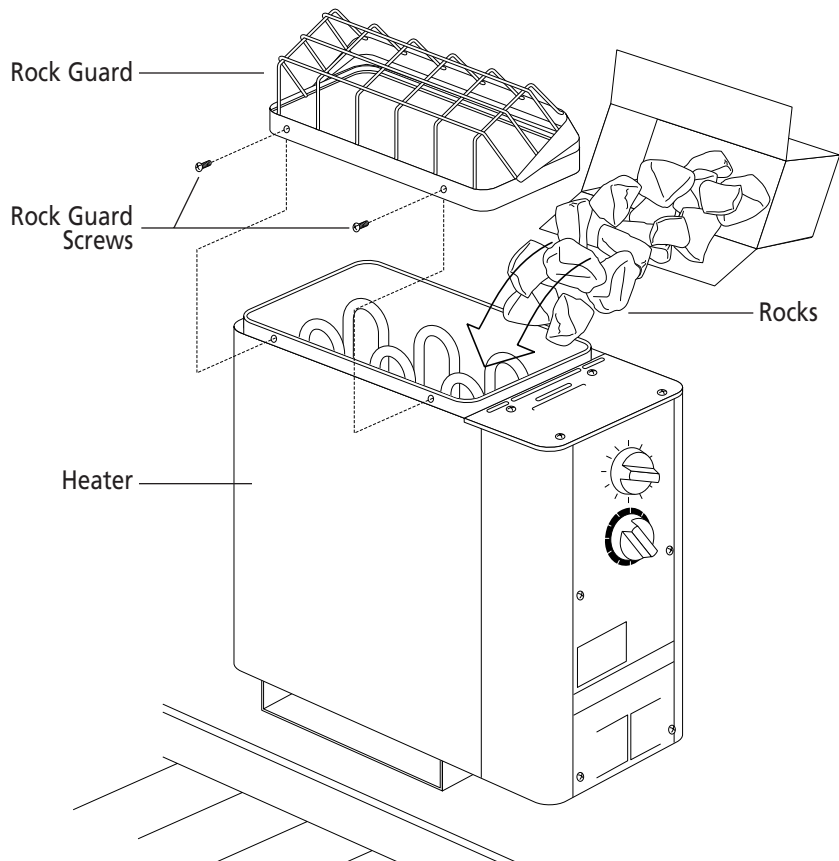
DO NOT use the sauna room for drying clothes, bathing suits, etc. DO NOT hang towels above heater or place any object other than the rocks supplied on or in the heater. If any darkening of the wall around the heater is noticed, discontinue sauna use immediately. Failure to do any of the above may result in fire and/or smoke hazard.



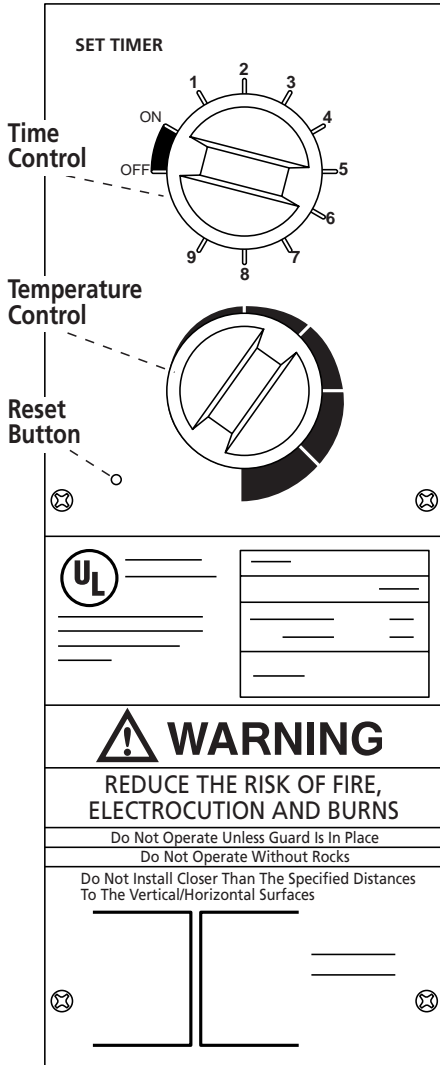
Use only with rocks supplied with the heater. Alternate rocks may damage the heater, cause personal injury or result in an inoperable heater.



DO NOT put chlorinated pool or spa water on heater. Excessive water use on heater may cause damage and void warranty. Packing the rocks too tightly may cause the heater high limit temperature device to trip.



OPERATING INSTRUCTIONS



CONTROL SIDE OF SAUNA HEATER

CIRCUIT BREAKER

The circuit breaker providing power to the sauna heater should be turned OFF when the heater is not used for prolonged periods of time and when the heater is being serviced.

The breaker should be left on for normal heater operation.

FIRST TIME OPERATION

When operating the sauna heater for the first time use the following steps:

1. Review all mechanical and electrical connections for conformance to instructions.
2. Set the temperature to the highest setting.
3. Set the timer to the maximum setting for 60 minutes of operation.
4. Allow the heater to operate two full cycles without anybody inside the sauna room. This will allow the sauna heater to burn off any residual oils and to preheat the rocks. Some light smoke and burning smell may be observed.

TIME CONTROL

The time control will operate the heater for (60) minutes. The timer can be pre-programmed to come on up to 9 hours later. If you set the timer dial in the zone from "ON to 9" THE HEATER WILL NOT TURN ON until the time elapsed equals the number of hours you set. For example, if the dial is turned to "5" the heater will not begin to heat for 5 hours.

If you want the heater to begin heating immediately, turn the dial clockwise past the first marked section labeled "OFF to ON", then turn the dial back (counter-clockwise) until you feel it click into the one hour heating zone.

TEMPERATURE CONTROL

The temperature control is adjustable. A clockwise rotation of the knob increases the temperature. The setting is graphically indicated by a band that increases with the increase of temperature setting.

HI-LIMIT TEMPERATURE RESET BUTTON

This heater is equipped with an overheat safety device. In the event of an abnormal heating condition, the heater will automatically shut off and the heater cannot be turned on again until the heater has cooled down and the device is manually reset. The reset button is located to the bottom left of the temperature control dial. Insert a paper clip or similar object into the reset hole.

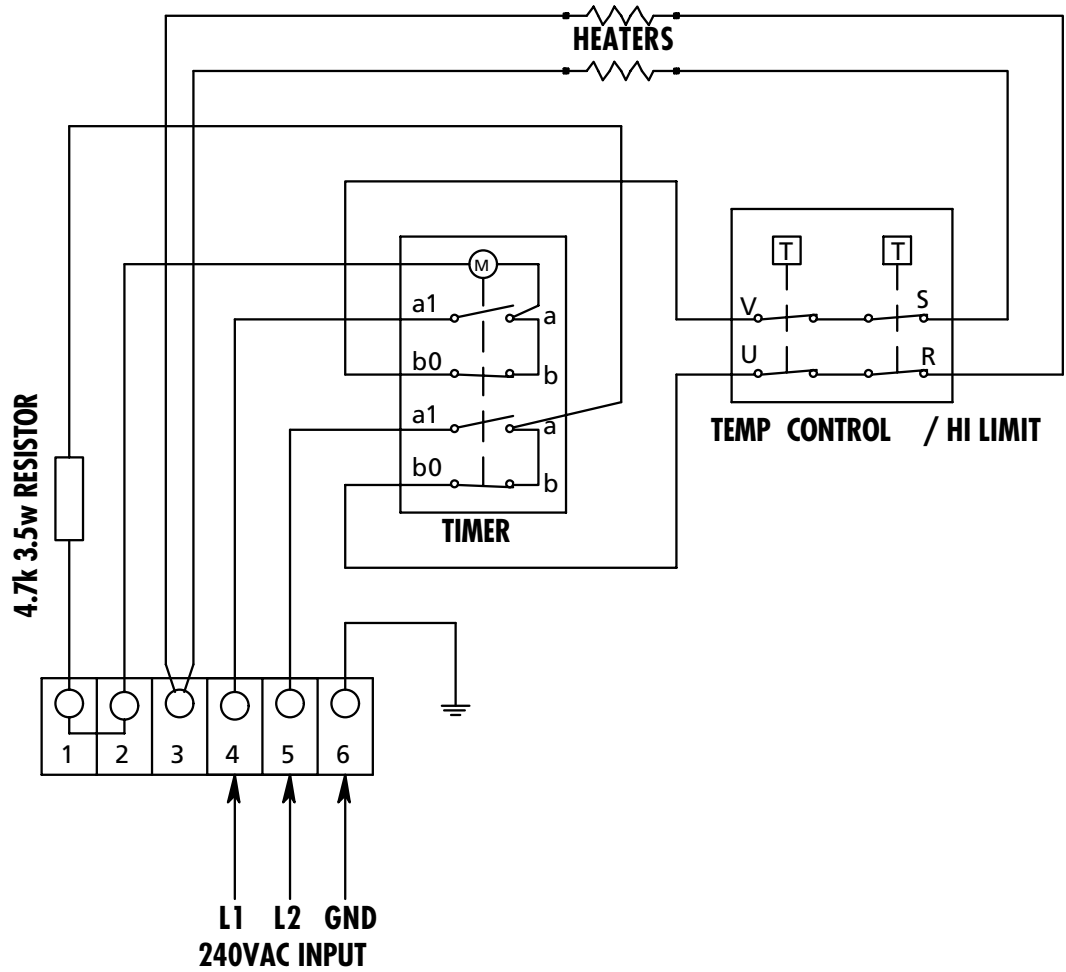
If the reset button continues to trip, a qualified service person should be notified. Do not press the reset button repeatedly.

High altitudes and other installation conditions may affect heater operation.

IMPORTANT NOTE:

Packing the rocks too tightly may cause the heater high limit device to trip.

HEATER WIRING DIAGRAM



ELECTRICAL INSTALLATION

For additional reference see "exploded view" illustrations of the room model being installed (A100 page 7, A200 page 11, A300 page 15 & A400 page 19)

1. Verify that the 120V and 240V lines have been correctly installed according to the instructions in this manual. Verify that the 120V line is connected to the lights and that the 240V line is connected to the sauna heater.
2. Connect the existing sauna room 120V line (marked 120V) to the 4x4 junction box on the sauna roof (junction box is marked 120V). Connect the wires in the 4x4 junction box according to the wiring diagram below
3. Field wiring: Verify that the 120V power supply is turned off. Supply 120V 15 amp power to the 4x4 junction box as required. Connect the wires according to the wiring diagram below.
4. Connect the existing sauna room 240V line (marked 240V) to the 2x4 junction box (marked 240V) on the roof of the sauna room. Connect the wires according to the wiring diagram below.
5. Field wiring: Verify that the power supply is turned off. Supply 240V 15 amp power to the 2x4 junction box as required. Connect the wires according to the wiring diagram below.
6. Test lighting and run heater according to the "First Time Operation" instructions on page 23.

Power requirements:
 120V lighting circuit requires a 15 amp supply
 240V heater circuit requires a 15 amp supply

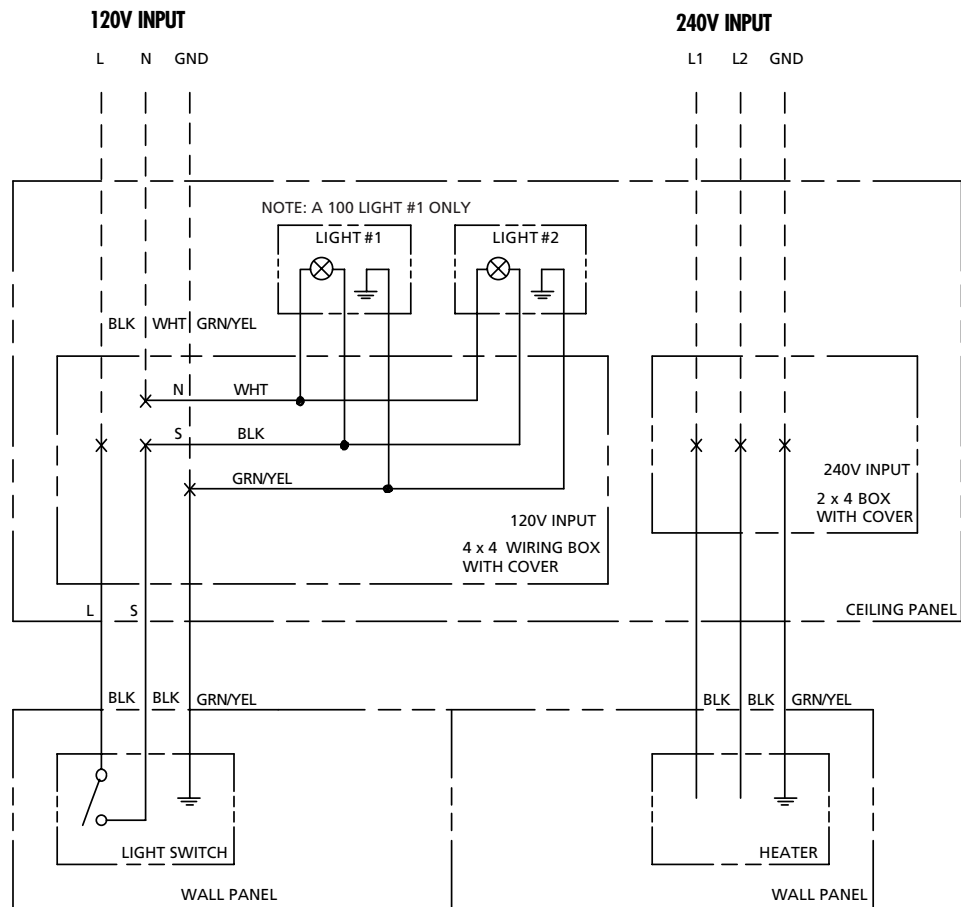
ROOM WIRING DIAGRAM



Allegro Sauna rooms are field wired to both 120V and 240 V line voltage and contain live electrical components. All installation and service to be performed by qualified licensed electricians according to local and national codes. Installation or service performed by unqualified or non licensed electricians may void the warranty and result in property damage or personal injury.



The Allegro heater is factory wired. DO NOT modify or alter for any reason. Modification of the heater may result in property or physical damage.



NOTE: SINGLE OR SEPARATE WALL PANELS DEPENDING ON ROOM MODEL

FIELD WIRING

QUALITY ASSURANCE

ELECTRICAL TESTS

- Ground Continuity Dielectric Strength Operation Test
 Insulation Resistance Visual Inspection

VISUAL INSPECTION

- Check junction hosts on the vertical walls Qty. (5) holes for each junction.
- Check corner pieces fit with housing, forming an edge with the ceiling.
- Countersinks for the mushroom-shaped wooden caps
 Allegro 100: between wall A and wall E
 Allegro 200: between wall A and G - D and E, and between E and G (flat caps)
 Allegro 300: between wall A and F - D and C - F and E
 Allegro 400: between wall A and E - D and C and between H and F (flat caps)
- Check door gasket fit.
- Check door handle for proper installation
- Check that there is a magnify mirror
- Check that the Electrical box for the ceiling lamp power supply is on the roof.
- Check that shelves and towel bars fastened properly
- Check the horizontal border bands on the bottom and on the top.
- Check ventilation holes under the heater, verify placement of wooden covers on exterior.
- Check that the ceiling vent is working properly.
- Check that the plastic caps have been applied under the duck boards (flooring).
- Check that the duck boards fit properly on the floor.
- Check that the benches are solid and fit properly
- Only for model Allegro 400: check that there are the (4) fastening holes for the small bench.
- Check that the reclining bench fits properly in all positions
- Check that the lower bench has the stop fastened on the right side
- Check the correct position and fasteners for the heater grill.

CONTENTS INSPECTION

Vertical Walls	Corner Trim:	Qty (1) Clothes hook	Check that the Ceiling Lamp is fitted with the mushroom-shaped caps in the 3 fastening holes
Ceiling with 120V lamp	Qty (4) in Allegro 100, 300, & 400	Qty (1) Mirror	
Duck floor boards:	Qty (2) in Allegro 200	Qty (1) Fastening Screw and Hardware	Check the Mirror
Qty (1) in Allegro 100	Qty (1) Heater Grill	Qty (1) Installation and Instruction Manual	
Qty (2) in Allegro 200	Qty (1) Stone Package	Qty (1) Check that the polyurethane bags are intact	Check that the Mr.Sauna nameplate is on the outside door handle
Qty (3) in Allegro 300	Qty (1) Hour-Glass	Dataplate	
Benches:	Qty (1) Bucket with plastic liner & ladle	Check accuracy	General Visual Inspection
Qty (2) in Allegro 300	Qty (1) Back-Rest and Support in Allegro 300	Check that the Dataplate is on the Heater	
Qty (3) in Allegro 400			
Check that the bench can be easily hooked to each peg (only for Allegro 300)			

ALLEGRO WARRANTY

Allegro Sauna Products from Sussman-Automatic Corporation are warranted against defects in workmanship and materials in accordance with this limited warranty.

NO OTHER EXPRESS OR IMPLIED WARRANTY, WRITTEN OR ORAL APPLIES (INCLUDING, WITHOUT LIMITATION, WARRANTIES OF MERCHANTABILITY OR FITNESS FOR A PARTICULAR PURPOSE.)

No other person is authorized to alter or grant any additional warranty or assume any liability except via written statement signed by an officer of Sussman Automatic Corporation, Long Island City, NY.

Sussman-Automatic Corporation warrants its Allegro Sauna Products against defects and workmanship for 12 months plus 30 days from the date of the corresponding Sussman invoice. Warranty is limited to (a) residential installations, only and (b) cost of materials used in any repair or replacement. The Allegro Sauna Products are not warranted when used in any non-residential setting (including without limitation health clubs, spas and hotel rooms). To qualify for warranty protection, part(s) must be returned to a Sussman facility as directed. The owner is responsible for all labor shipping charges and claims against carriers for damage in transit must be filed by the owner. (See **Requirements for Processing**).

Requirements for Processing: Authorized parts under warranty for return must be accompanied by a Merchandise Return. Authorization (MRA). Authorization may be obtained by calling (800) 767-8326 in New York or (800) 727-8326 in California. Return the defective part, freight and insurance prepaid to Sussman-Automatic Corporation, at either 43-20 34th Street, Long Island City, NY 11101 or to 9410 S. La Cienega Blvd., Inglewood, CA 90301, as specified on the MRA. Sussman-Automatic Corporation recommends that any parts returned be insured by the owner, as Sussman-Automatic Corporation will not be responsible for any damage which occurs during transit to or from Sussman-Automatic Corporation.

Limitations: ALLEGRO SAUNA PRODUCTS MUST BE INSTALLED, OPERATED AND MAINTAINED IN ACCORDANCE WITH THE INSTRUCTIONS PROVIDED. FAILURE TO FOLLOW OUR INSTALLATION, OPERATING, AND MAINTENANCE INSTRUCTIONS VOIDS THIS WARRANTY.

Users are responsible for suitability of the products for their application. There is no warranty against damage resulting from incorrect assembly, misapplication or improper specification or other operating conditions beyond our control or for parts that are normally expendable in the usual course of operation (wear and tear).

SUSSMAN-AUTOMATIC CORPORATION IS NOT LIABLE FOR LABOR OR OTHER COSTS INCURRED IN REMOVAL, REINSTALLATION, OR UNAUTHORIZED REPAIR OF THE PRODUCT OR THE DAMAGES OF ANY TYPE, WHATSOEVER, INCLUDING INCIDENTAL, OR CONSEQUENTIAL DAMAGES.

MrSauna®

A product of the

SUSSMAN LIFESTYLE GROUP

Sussman-Automatic Corporation

43-20 34th Street,
Long Island City, NY 11101
1-800-76STEAM
Fax: 718-472-3256

Western United States:

Sussman-Automatic of California

9410 S. La Cienega Blvd. Inglewood,
CA 90301
1-800-72STEAM
Fax: 310-216-2944