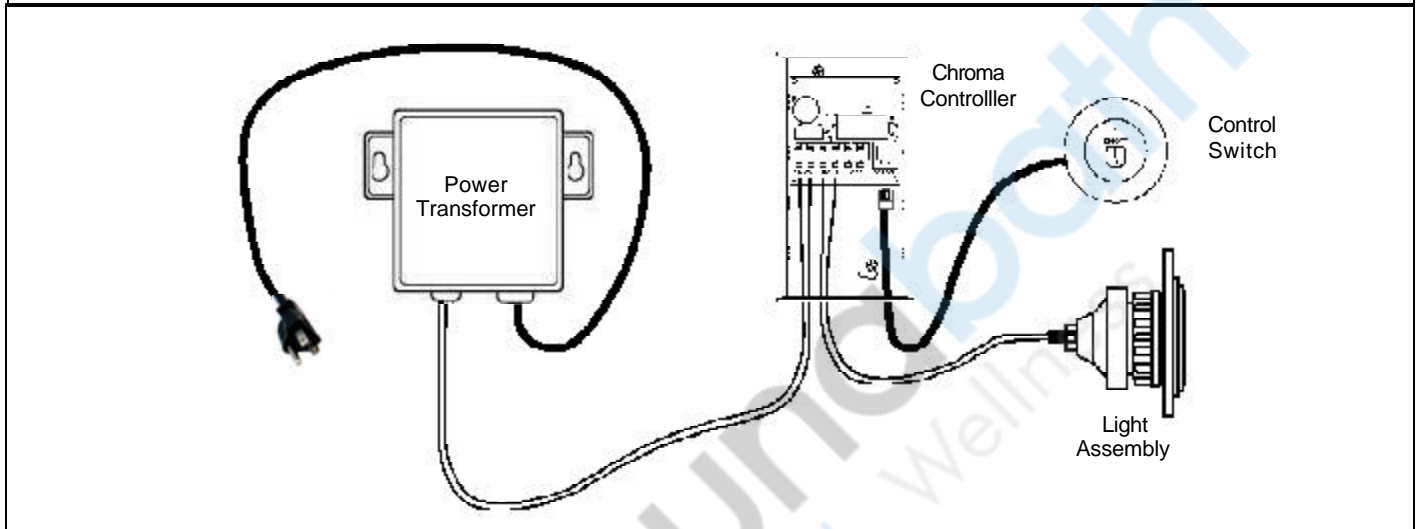


The Model A210LK Chromotherapy Light Kit is designed to be used in any steam bath or shower enclosure.. The LED lights should be mounted in the ceiling of the room and the transformer and controller should be in a convenient dry location. The A210LK switch is used to change the LED light colors and patterns.

Installation Overview

DIAGRAM 1



General Installation

Determine locations suitable for mounting the Chromotherapy system's components:

- The control switch should be mounted where it is convenient to the user. It is used to momentarily turn the LED lights off then on again in order to change their colors and patterns. The control switch may be mounted inside or outside the steam room. A 25' cable is provided to connect the switch to the Controller.
- The LED light assemblies are to be mounted in the ceiling of the steam room. The LED's 8' power wires will connect to the controller.
- The 120VAC to 12VAC power transformer should be connected to a switched wall outlet. A 6' power cord with a standard 15A 3-prong plug is attached to the transformer and 8' of low voltage wires are attached to the transformer. The low voltage wires are to be connected to the Chroma Controller. Whenever the wall outlet is turned on, the LED lights will light.
- The controller should be mounted on a wall in an easily accessible location convenient to the other components.

Install the Power Transformer

- The transformer should be connected to a switched wall outlet.
- Whenever the outlet is switched on, the LED lights will turn on.
- A 6 foot power cord with an attached NEMA-15 plug is supplied as part of the transformer.
- The transformer may be attached to the wall using its integral mounting tabs.



Install the Chroma Controller (Diagrams 2 & 3)

The Chroma Controller should be mounted on a wall within reach of the transformer's 8' low voltage wires. These wires may be lengthened by adding 60°C 18 AWG copper wires.

- Remove the controller's front cover by pulling out slightly on the sides to unsnap it. Mount the controller to the wall using two screws through the mounting holes in the controller's base.
- Run the power transformer's low voltage wires to the controller and through the first hole in the controller's end. Insert the stripped wire ends into the terminal block's 12VAC positions while pressing the terminal block tabs with a small tip screw driver. Release the tabs to secure the wires.
- Place a strain relief (provided, not shown) around the cable close to the controller and squeeze it closed with pliers while pushing it into the hole to secure the cable.
- Secure the wires to the wall as needed to prevent stress or other risks of damage.

Install the Display Control Switch (Diagrams 4 & 5)

The low voltage control switch can be mounted directly to a finished wall either inside or outside the steam room.

- Rough-in the switch cable (this cable has a plug on each end similar to a telephone's). Using a 1-3/4" hole saw, drill a hole in the finished wall where the switch is to be mounted.
- Locate the switch cable, pull it out through the 1-3/4" hole and plug the cable into the connector in the back of the control switch housing.
- Run a bead of 100% silicone caulk around the perimeter on the back of the control switch housing. Insert the switch into the 1-3/4" hole and tape in place until the silicone dries.
- Using the methods previously listed, connect the other end of the switch cable to the Chroma Controller's CONTROL jack and secure the cable.

Install the Light Assembly (Diagrams 6, 7 & 8)

- Determine placement of the light.
- Drill a 2-5/8" hole for the lens assembly
- Insert the lens housing through the hole with the silicone gasket on the room side of the ceiling and hand tighten nut against other side. (Approximately 13-15 ft-lbs). If the ceiling is too thick to use the nut, silicone the light assembly into place using 100% silicone sealant. (See Diagram 6)

DIAGRAM 2

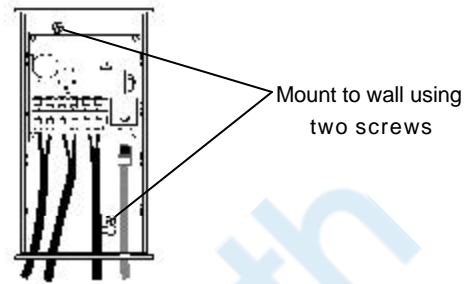


DIAGRAM 3

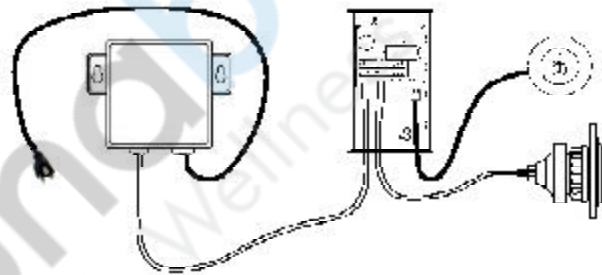


DIAGRAM 4

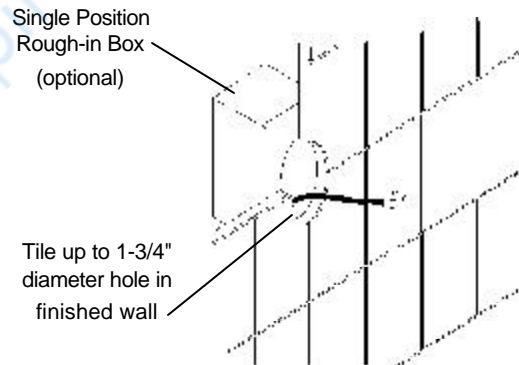
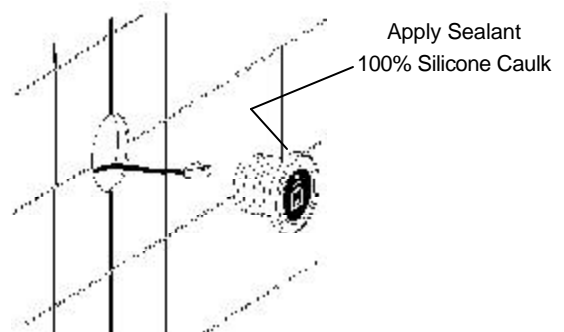


DIAGRAM 5



Install the Light Assembly (continued)

- Insert the LED assembly into the reflector and plug assembly into the LED socket.
- Screw the reflector onto the back of the lens housing, then twist-n-lock the LED socket into reflector.
- Run the wires from the light assembly to the controller and through the second hole in the controller's end. Connect the wires to the terminals block's L1 positions and install a strain relief and secure the cord in the same manner used for the transformer wires. *The controller's L2 connections are supplied for your convenience when connecting additional lights.*

Note: To change an LED assembly after installation, first unplug the power transformer then follow the instructions engraved on the tool set. Insert the two tabs on the outer tool into the two notches on the outside edge of the light body and insert the ends of the center tool into the holes in the lens. Hold the outer tool to keep the light body from turning while turning the center tool to remove the lens.

Additional Light Assemblies

For your convenience, a second light connection is included in the Chroma Controller. Up to six additional LED light assemblies may be added by connecting them to the controller or by splicing their wires in parallel with the first light's wires. Order Model FC210L-L1 Single Lamp Kit, part number 9223-110.

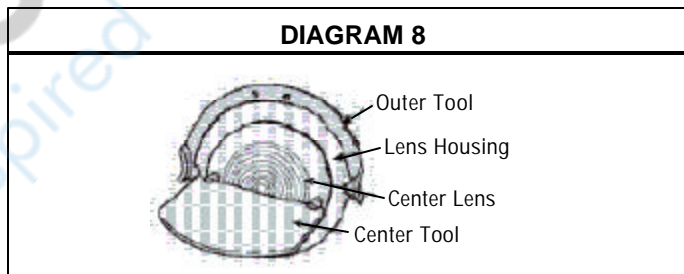
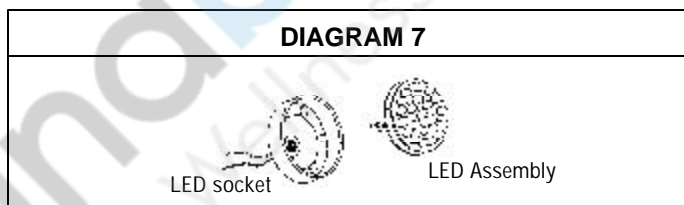
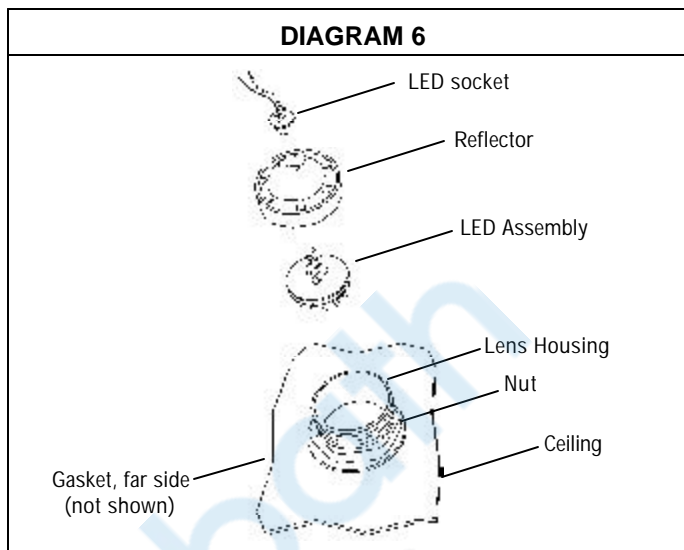
Operation

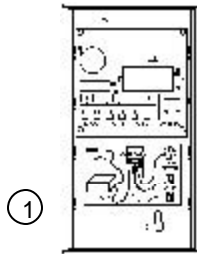
The lights are low power LED assemblies with built in intelligence providing an array of pre-programmed light displays and easy synchronization of multiple lights. The last display selected will be active the next time the lights are turned on.

- Whenever the transformer's switched outlet is turned on, the lights are on.
- To synchronize lights, such as after adding or replacing a light, turn the lights on then press the control switch for 6 to 8 seconds and release the switch. While the switch is pressed, the lights will go out then, when the switch is released, the lights will blink a few times then all the lights will be reset to the initial display.
- To change light displays, press the control switch for 1 second or less and release it.

Description of displays:

- Slow Color Wash - Color transition gracefully from color to color, cycling through the entire color wheel (approx 3 minutes for complete cycle).
- Fast Color Wash - Same as the slow color wash but complete cycle takes 1 minute.
- Slow Random Color - colors jump from one color to the next in random order. Each color duration lasts approximately 10-15 sec.
- Fast Random Color- same as the slow random but duration lasts 5 sec.
- High Speed Random Color - A rapid series of intense flashes of varying light colors.
- Cross fades - Color cycles back and forth gracefully between blue and green. Total cycle lasts 1 minute.
- Fixed Color - Static display of a single color. Available colors include: white, pink, lavender, light blue, dark blue, light green and dark green.





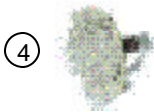
①



②



③



④



⑤

Item Provided	Part #	Description
1	8855-145	Chroma Controller
2	3164-51	Transformer, 120VAC-12VAC
3	5258-12	Light Socket and Wires, 8'
4	3160-71	Light, 22 LED, bright, FC210
5	3160-72	Lens Assembly
6	9140-101	Switch, Display Control
7	5304-031	Cable, 3 Conductor, 25'
8	4211-136	Instructions, Rough In
9	4000-23	Rough In Bracket
10	4980-03	Rough In Insert

Contact Technical Support for additional/replacement parts.

1-800-363-0251