



Installation Instructions

Ambiance

Series of Steambath Generators

For machine of manufacture post February 2001

If you are a plumber installing this unit, please leave this owners manual & warranty card with the owner when you finish the installation.

Thank You!

WARNING

- **DO NOT USE THIS PRODUCT UNLESS YOU HAVE CONSULTED YOUR DOCTOR AND RECEIVED WRITTEN PERMISSION TO DO SO. USE OF THIS PRODUCT MAY BE HAZARDOUS TO YOUR HEALTH.**
- **STEAM IS HOT! DO NOT TOUCH OR GO NEAR THE STEAM HEAD FROM THE TIME THE UNIT IS "ON", UP TO ONE HOUR FROM THE TIME THE UNIT IS OFF. SEVERE BURN WILL OCCUR IF YOU COME IN CONTACT WITH THE STEAM HEAD OR STEAM EMITTING FROM THE STEAM HEAD.**
- **NEVER ATTEMPT TO FILL AROMA THERAPY RESERVOIR ON THE STEAM HEAD WHEN UNIT IS IN THE "ON" POSITION. SEVERE BURNS WILL OCCUR.**
- **DO NOT USE THERMASOL AROMA THERAPY OILS OR SKIN CARE PRODUCTS OR ANY PRODUCT IN CONJUNCTION WITH YOUR THERMASOL UNIT WITHOUT CONSULTING WITH YOUR ALLERGIST OR DOCTOR BEFORE USE. THESE PRODUCTS MAY BE HAZARDOUS TO YOUR HEALTH.**
- **YOUR SHOWER MAY BE A SLIP AND FALL HAZARD CHECK WITH YOUR CONTRACTOR OR FLOORING MANUFACTURER REGARDING THE SAFE USE OF YOUR FLOORING IN A STEAM APPLICATION. SLIPPING AND FALLING INTO THE STEAM HEAD ITSELF OR INTO THE STREAM OF STEAM EMITTING FROM THE STEAM HEAD WILL CAUSE SERIOUS BURNS, OR PHYSICAL INJURY.**

Note: Before contacting Customer Service for Technical Support, please have the model number and serial number (including all numbers and letters) located on the steam generator unit. Also, have the serial numbers located on the back of the Command Module, Remote Control and CD Changer PCB (if CD Changer option is ordered).

Headquarters & Technical Support
2255 Union Place, Simi Valley, CA 93065 – (800) 776-0711

Eastern Sales Office
26 Industrial Avenue, Fairview NJ 07022 – (800) 631-1601
www.thermasol.com

Sizing Your Steam room

Sizing: 1. Calculate the total volume of the enclosure. (Length x Width x Height = Total Volume).

2. Using the Volume total, multiply by the number to the right of your shower wall material shown below.

Example: 7 ft. long x 4 ft. wide 7 ft. high = 196 cubic feet

196 cubic ft. x 1.65 (marble) = 323.4 cubic ft. = Model #240 Steam Shower series generator.

NOTE: Add 10% for every foot exceeding 7 ft. in ceiling height.
Add 10% for every exterior outside wall.

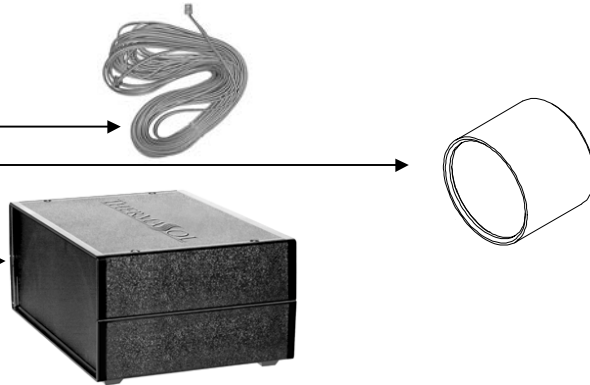
| | |
|---|-----------|
| ▪ Fiberglass, Cultured Marble | .65 |
| ▪ Corian | No Change |
| ▪ Ceramic tile on waterproof sheetrock, cement bed or mortar bed | No Change |
| ▪ All glass tile, glass block walls | 1.35 |
| ▪ Natural stone tiles 3/8" to 1/2" (marble, travertine, slate, granite, etc.) | 1.65 |
| ▪ Natural stone tiles on cement bed or mortal bed | 1.65 |
| ▪ Natural stone slab 3/4" to 1" | 1.85 |

For further assistance call toll-free 800-776-0711

Ambiance Generator Installation Instructions

Parts Enclosed

- Command Cable
- No Touch steamhead housing
- Steam generator
- Installation instructions
- Command Module



All ThermoSol steam generators are designed to build **NO PRESSURE** during operation. This is for your safety.

NOTE: Failure to follow installation instructions specifically will cause the warranty to be void.

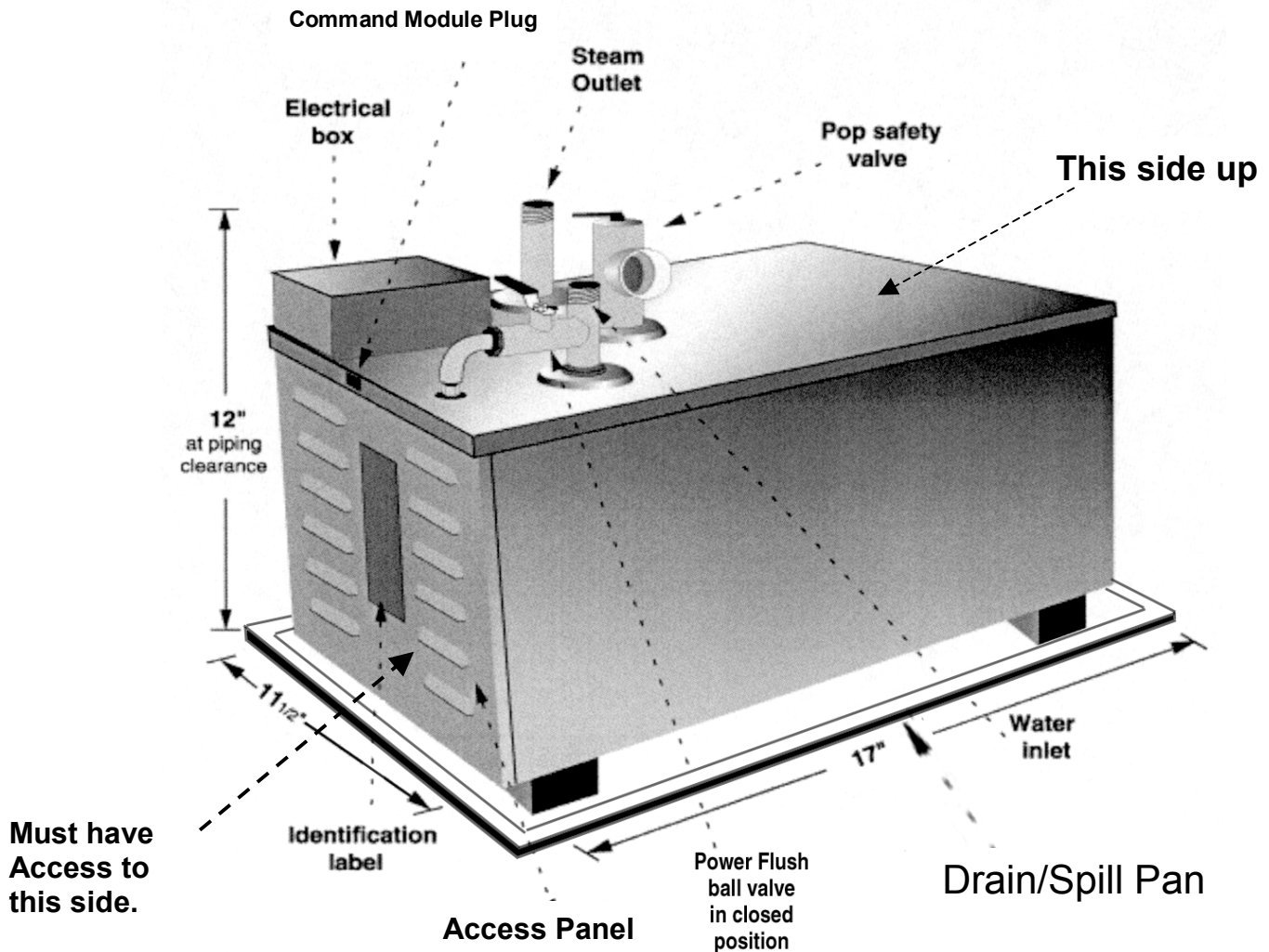


Figure 1

Materials Needed

- Brass ball valve
- Pipe compound
- Copper or brass nipples
(Sizes and quantities per instructions)
- In-line filter (recommended)
- 3/8" brass or copper union
- 1/2" brass or copper union
- Wire (sizes and quantities per instructions)
- Copper tubing or pipe
- Wire cap nuts
- Flex conduit
- Brass or copper tee connection & plug
- Silicone (water proof/water based)
- **Drain/spill pan**
- **2 Conductor 18 AWG wire for temperature sensor (length varies by application)**
- **3.5mm microphone cord (to be used with phone option)**

Tools Needed

- Pipe wrench
- Tubing cutter
- Flaring tool (if flared fittings are used)
- Wire cutters or wire strippers
- Adjustable wrench
- Screwdrivers (Phillips & regular)
- Solder & Flux
- 5/16" & 7/8" masonry drill bits
- 2.5" hole saw
- Drill motor
- Propane Torch
- Silicone gun
- Other tools as required

NOTE:

- **Thermasol steam bath generators are for indoor use only. They should never be located outside the home.**
- **Thermasol steam bath generators are NOT designed to be used for space heating purposes.**

WARNING: Please consult your physician before using. If you are pregnant, elderly, have high blood pressure, diabetes, suffering from heart disease, intoxicated, or not in good health, do not use this steam bath.

CONSUMER WARNING

WARNING

DO NOT USE THIS PRODUCT UNLESS YOU HAVE CONSULTED WITH YOUR DOCTOR AND RECEIVED WRITTEN PERMISSION TO DO SO. USE OF THIS PRODUCT MAY BE HAZARDOUS TO YOUR HEALTH.

WARNING

NEVER ATTEMPT TO FILL AROMA RESERVOIR ON THE STEAM HEAD WHEN UNIT IS IN THE ON POSITION. SEVERE BURNS WILL OCCUR.

WARNING

DO NOT USE THERMASOL AROMA THERAPY OILS OR SKIN CARE PRODUCTS OR ANY PRODUCT IN CONJUNCTION WITH YOUR THERMASOL UNIT WITHOUT CONSULTING WITH YOUR ALLERGIST OR DOCTOR BEFORE USE. THESE PRODUCTS MAY BE HAZARDOUS TO YOUR HEALTH.

WARNING

YOUR SHOWER MAY BE A SLIP AND FALL HAZARD CHECK WITH YOUR CONTRACTOR OR TILE MANUFACTURER REGARDING THE SAFE USE OF YOUR FLOORING IN A STEAM APPLICATION. SLIPPING AND FALLING INTO THE STEAM HEAD ITSELF OR INTO THE STREAM OF STEAM EMITTING FROM THE STEAM HEAD WILL CAUSE SERIOUS BURNS, OR PHYSICAL INJURY.

WARNING

STEAM IS HOT! DO NOT TOUCH OR GO NEAR THE STEAM HEAD FROM THE TIME THE UNIT IS “ON”, UP TO ONE HOUR AFTER IT HAS SHUT OFF. SEVERE BURN WILL OCCUR IF YOU COME IN CONTACT WITH THE STEAM HEAD OR STEAM EMITTING FROM THE STEAM HEAD.

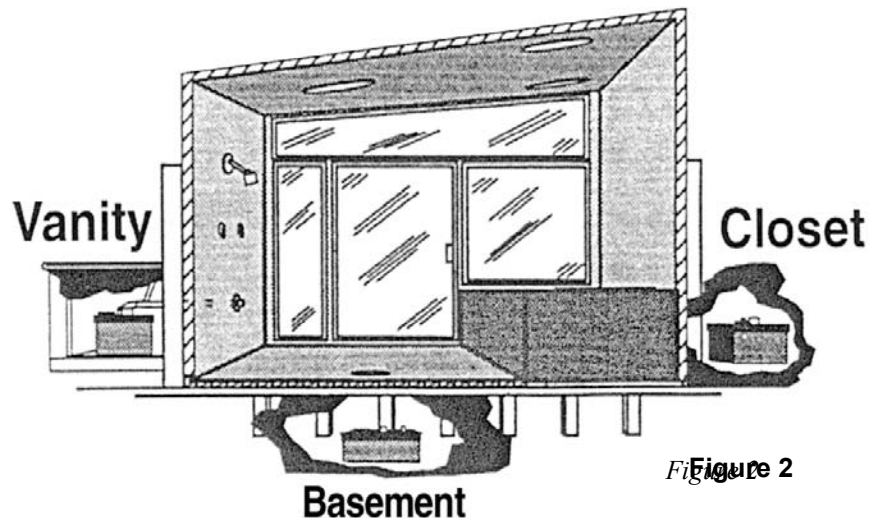
Requirements for proper installation

READ ALL INSTRUCTIONS COMPLETELY BEFORE ATTEMPTING INSTALLATION!!!

ENSURE THAT ALL POWER IS TURNED OFF TO THE WORK AREA!!!

1. Ensure the enclosure to be used is vapor proof. It should have a vapor proof door that seals well so the steam does not escape. Make sure the wall, ceiling and the floor materials are ok to use with steam and hot condensation the steam produces.
2. Use copper or brass fittings only. **(NEVER USE GALVANIZED FITTINGS)**
3. **The water inlet, steam outlet and pressure relief valve, need brass unions for easy removal. Install a drain/spill pan under the unit.**
4. The **generator must be upright, accessible and on a level surface** with **all** connections on top. **Access panel and Power Flush valve must be unobstructed and allow for easy access (see figure 1).**
5. Unit may be installed up to 50 feet away from shower area. In a dry well ventilated area.
6. **Do not** plumb a trap in the steam line or plumb the pressure relief valve into the steam line. **Plumbing the pressure relief valve into the steam line can be hazardous, should the steam outlet be capped off or obstructed.**
7. Pitch steam line back towards generator and avoid perfectly level plumbed lines.
8. Make sure water is turned on to the unit before operation.

NOTE: Failure to follow specific installation instructions will cause the warranty to be void.



Various options for the ThermaSol steam bath generator location.

Water Inlet

Refer to figure 3 for the following:

1. Install a drain/spill pan under the unit. Connect a tee to the cold water line. Install copper pipe to the tee. An in-line filter is recommended.
2. Install a brass shut-off valve on the water inlet line in an accessible area prior to the brass union and recommended in-line water filter.
3. Before making the last connection to the 3/8" water inlet line coming to the unit, flush the water line into a five-gallon pail to remove any silt or other materials that may be in the line.
4. Make the final connection and turn on water. All ThermaSol generators are equipped with an automatic water fill system. The water will stop after unit is filled.
5. The steam line can run up, down, or horizontal; **but cannot run down and then up**. If it does, a steam trap will be produced at the low point blocking the flow of steam. Insulate the steam outlet piping if the piping run exceeds 10 feet or is exposed to cold areas. **NOTE: Use steam rated insulation.**

IMPORTANT: MAXIMUM WATER PRESSURE not to exceed 70 P.S.I.

WARNING: The steamhead is HOT! Do not locate near a seat or bench, hot steam will burn you. Keep at least 12-14 inches away from hot steam exiting the steam head.

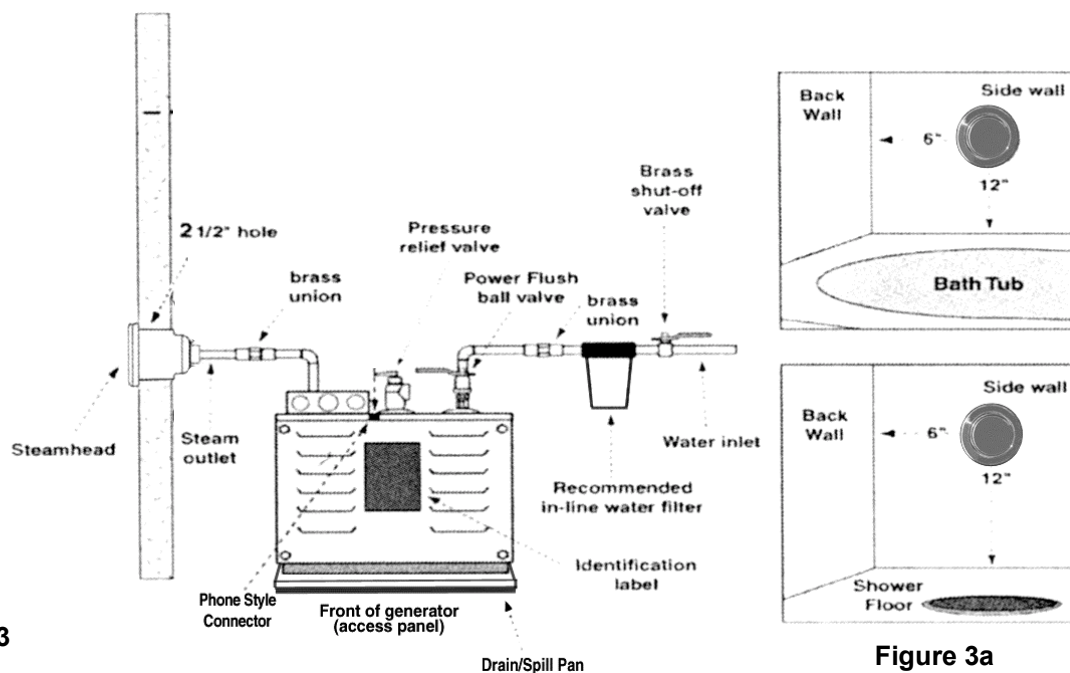


Figure 3

Figure 3a

NOTE: The generator must be mounted level with all connections on top.

Instruction for No Touch steamhead

(For Deluxe Steam head refer to its instructions)

Parts Enclosed

- No Touch Steam head

Steam head

Steam head housing

Material Needed

- Clear Silicone
- 1/2" Drop Elbow
- Other materials as required

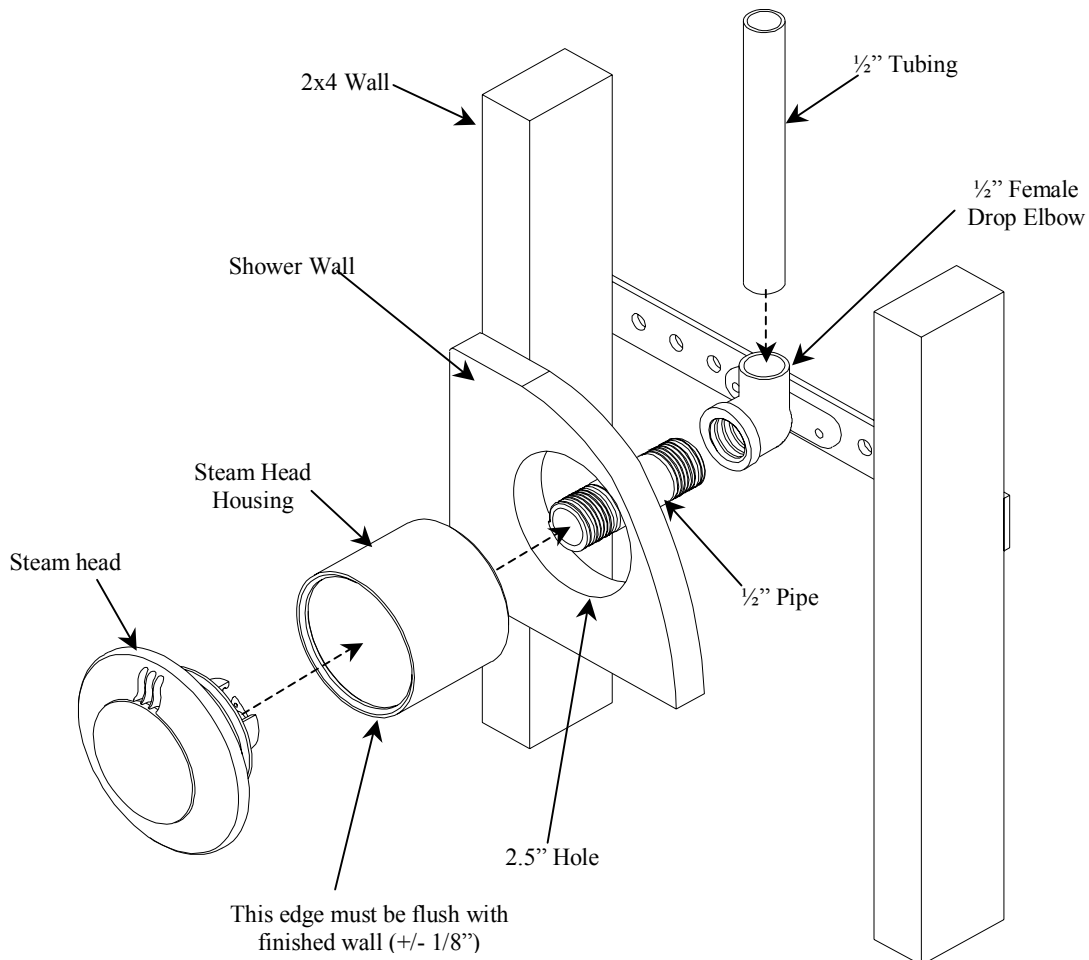
Tools Needed

- 1" deep Socket and ratchet
- 2.5" hole cutting tool
- Silicone gun
- Other tools as required

Figure 4

1. Drill a 2.5" diameter hole in the shower wall or wall above the bathtub rim for the steam outlet line. (Figure 3A) CAUTION: The steam head is **hot** and should not be located near a seat or bench! We recommend locating it on the fixture wall.

**** Ensure that all Plumbing is Firmly Secure****



2. Connect a 1/2" NPT brass pipe or tubing to the steam outlet on the generator run the pipe to the 2.5" hole in wall to connect with the steamhead housing, use figure 5 as a guide. **It is very important that the pipe is firmly secured to the wall, so that when the steam head is installed it doesn't push the housing back into the wall.** The steam line can run up, down, or horizontal; **but cannot run down and then up.** If it does, a steam trap may be produced at the low point blocking the flow of steam. Install a 1/2" drop elbow on the end of the 1/2" pipe for the steamhead housing. For all the connections, use Teflon tape/solder and do not over tighten fittings. **DO NOT USE PVC CEMENT.**

3. Final Installation (steam head): When installing the steam head in to the housing be sure that the aromatherapy fill channels are facing upwards see figure 6. To ensure that no moisture gets behind the steam head and into the wall, place a generous bead of waterproof silicone around the steam head, use the machined groove as a guide. Be sure that within the housing there isn't any debris, and the two O-rings are in place on the steam head. Slide the steam head into the housing until the steam head is tight against the finished wall. You may need to wipe away any excess silicone. Use figure 4 as a reference to these steps.

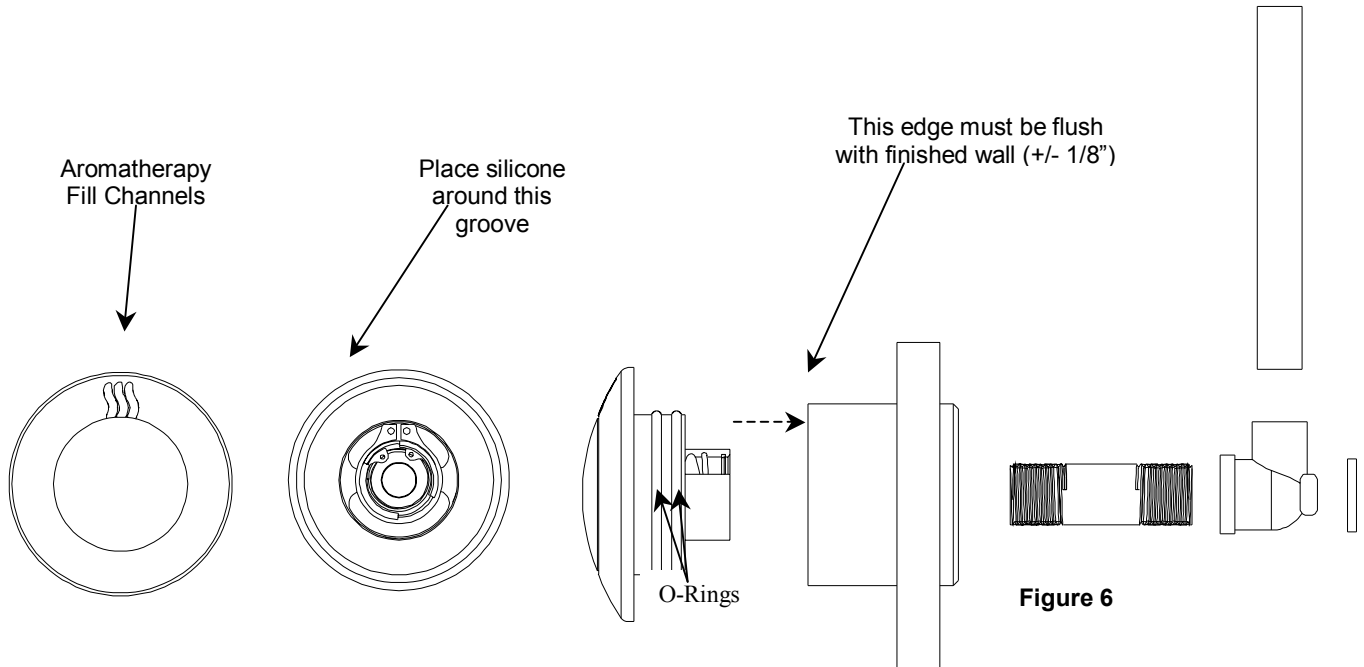


Figure 6

WARNING: Avoid contact with steam head! It will burn you! Avoid direct contact with the steam coming out of the steam head! It is extremely hot and will burn you! Never put Aroma oil in the steam head when the unit is in the on position, or when steam is emitting from the steam head.

Steamhead Installation

Instruction for Deluxe steamhead

Parts Enclosed

- Deluxe Steamhead
- Escutcheon

Material Needed

- Clear Silicone

Tools Needed

- Pipe Wrench
- 7/8" cutting tool
- Silicone gun
- Other tools as required

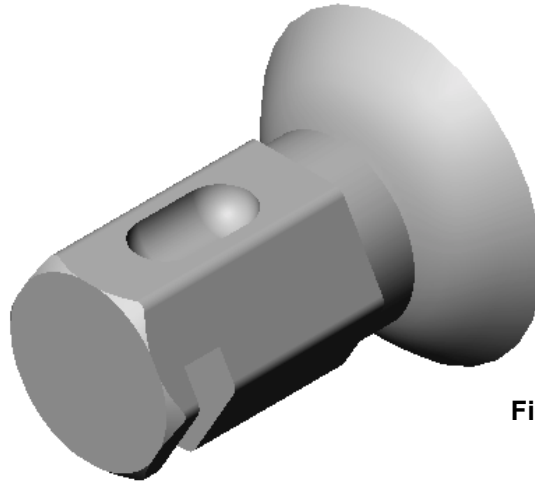


Figure 7

1. Drill a 7/8" diameter hole in the shower wall or wall above the bathtub for the steam outlet line. Refer to **figure 3a** as a guide for the proper location of the hole.
 - ◆ **CAUTION: The steamhead is hot! And should not be located near a seat or bench!**
2. Connect 1/2" F.I.P. copper pipe or copper tubing and 1/2" brass union onto the steam outlet. Run a 1/2" copper pipe from the union to the 7/8" hole in wall. See **figure 8**.
3. Attach the steamhead and escutcheon to the copper pipe. **CAUTION: Do not obstruct the steam line with any shut-off valves, plugs or caps. ALL ThermaSol steam generators are designed to build NO PRESSURE.**
 - ◆ The steam line can run up, down, or horizontal; **but cannot run down and then up**. If it does, a steam trap will be produced at the low point blocking the flow of steam. Insulate the steam outlet piping if the piping run exceeds 10 feet or is exposed to cold areas. **NOTE: Use steam rated insulation.**

****Avoid contact with steam head while it is running. It will burn you! Avoid direct contact with the steam coming out of the steam head it is extremely hot. It will burn you!**

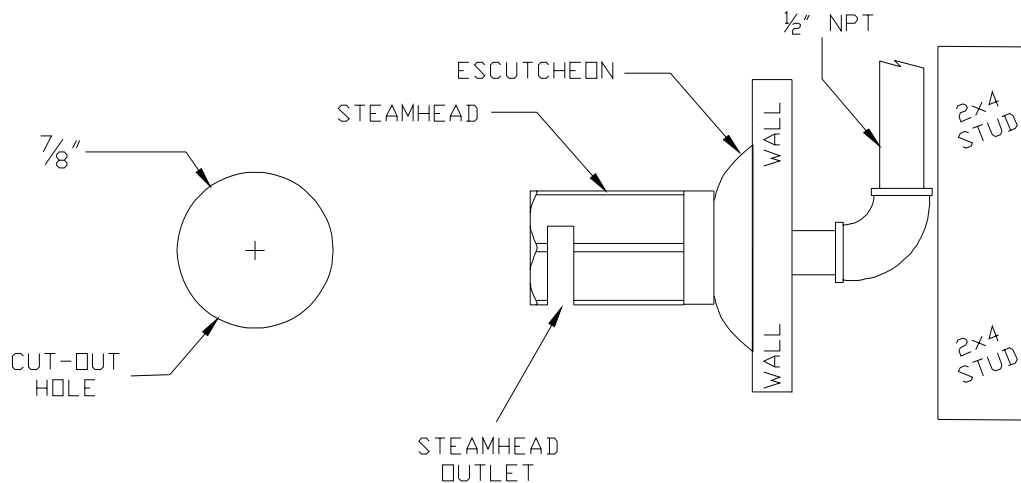


Figure 8

CONSUMER WARNING

WARNING

DO NOT USE THIS PRODUCT UNLESS YOU HAVE CONSULTED WITH YOUR DOCTOR AND RECEIVED WRITTEN PERMISSION TO DO SO. USE OF THIS PRODUCT MAY BE HAZARDOUS TO YOUR HEALTH.

WARNING

NEVER ATTEMPT TO FILL AROMA RESERVOIR ON THE STEAM HEAD WHEN UNIT IS IN THE ON POSITION. SEVERE BURNS WILL OCCUR.

WARNING

DO NOT USE THERMASOL AROMA THERAPY OILS OR SKIN CARE PRODUCTS OR ANY PRODUCT IN CONJUNCTION WITH YOUR THERMASOL UNIT WITHOUT CONSULTING WITH YOUR ALLERGIST OR DOCTOR BEFORE USE. THESE PRODUCTS MAY BE HAZARDOUS TO YOUR HEALTH.

WARNING

YOUR SHOWER MAY BE A SLIP AND FALL HAZARD CHECK WITH YOUR CONTRACTOR OR TILE MANUFACTURER REGARDING THE SAFE USE OF YOUR FLOORING IN A STEAM APPLICATION. SLIPPING AND FALLING INTO THE STEAM HEAD ITSELF OR INTO THE STREAM OF STEAM EMITTING FROM THE STEAM HEAD WILL CAUSE SERIOUS BURNS, OR PHYSICAL INJURY.

WARNING

STEAM IS HOT! DO NOT TOUCH OR GO NEAR THE STEAM HEAD FROM THE TIME THE UNIT IS “ON”, UP TO ONE HOUR AFTER IT HAS SHUT OFF. SEVERE BURN WILL OCCUR IF YOU COME IN CONTACT WITH THE STEAM HEAD OR STEAM EMITTING FROM THE STEAM HEAD.

Electrical Installation

NOTE: All electrical wiring must be done per National/Local Electrical Codes.

ThermaSol requires that a licensed electrician perform all electrical work.

NOTE: USE COPPER WIRE ONLY.

Wire sizes recommended by National Electric Code. Minimum wire temperature rating 95C.

| Generator Model | Wire Gauge | Breaker Size | Cubic Feet | kW |
|-----------------|------------|--------------|------------|-----|
| 60 | 14 | 20 | 90 | 4.0 |
| 84 | 10 | 35 | 150 | 6.0 |
| 140 | 10 | 40 | 300 | 8.0 |
| 240 | 6 | 60 | 450 | 10 |
| 395 | 6 | 70 | 575 | 12 |
| 600 | 4 | 90 | 700 | 15 |

1. Turn off all electricity to the working area at the main breaker panel!
2. Connect 230-volt AC electrical lines to wires labeled 1 & 2 in junction box on generator, (see figure 9). Do not install a GFI (Ground Fault Interrupter) to this machine, (per article 210-8 in the National Electrical Code). This will prevent tripping.

WARNING: DO NOT TURN POWER ON UNTIL ALL INSTALLATION STEPS ARE FINISHED

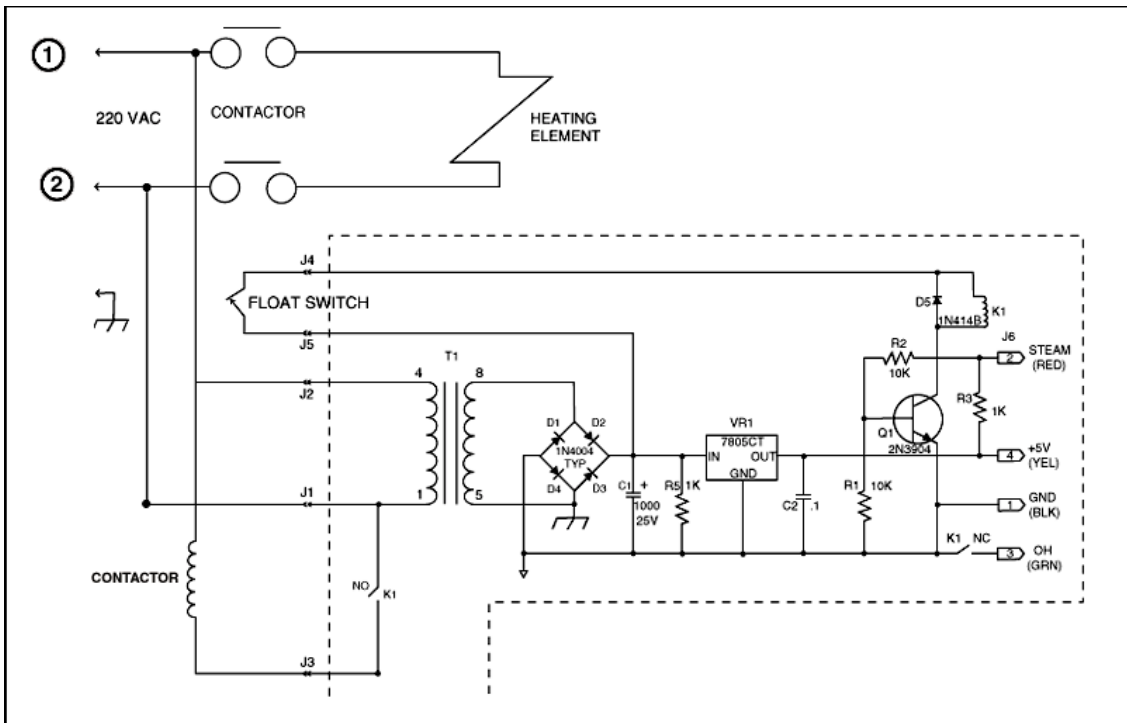
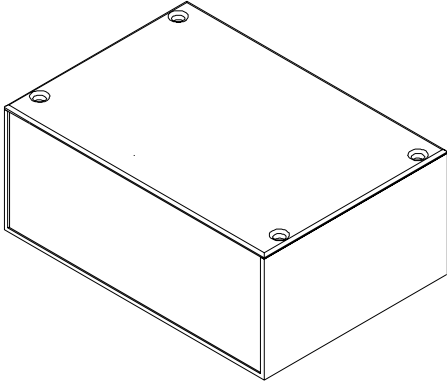


Figure 9
Steam Generator Schematic Diagram

Installing Ambiance Command Module



This Device complies with part 15 of the FCC rules. Operation is subject to the following two conditions:

- (1) This device may not cause harmful interference and
- (2) This device must accept any interference received, including interference that may cause undesired operation.

9. **The Command Module location with respect to the Remote Control is important for optimal operation!** Due to FCC regulations on this unit and low power transmission of the RF (radio frequency) signals for compliance with FCC rules, it is highly recommended that the Command Module be placed as close as physically possible to the area where the Remote will be in use. **Do not locate** the Command Module in a place that is obstructed by any metal, marble tile, slate tile, mirrors or materials that would block the radio transmission path between the Command Module and the Remote in use (see **Figure 10** for typical placement of Command Module). Also, to avoid radio frequency interference with operation of the Ambiance Environment system, do not locate the Command Module near any devices that operate on or near 900 MHz frequency range (ie. cell phones, cordless phones, garage door openers, etc.).

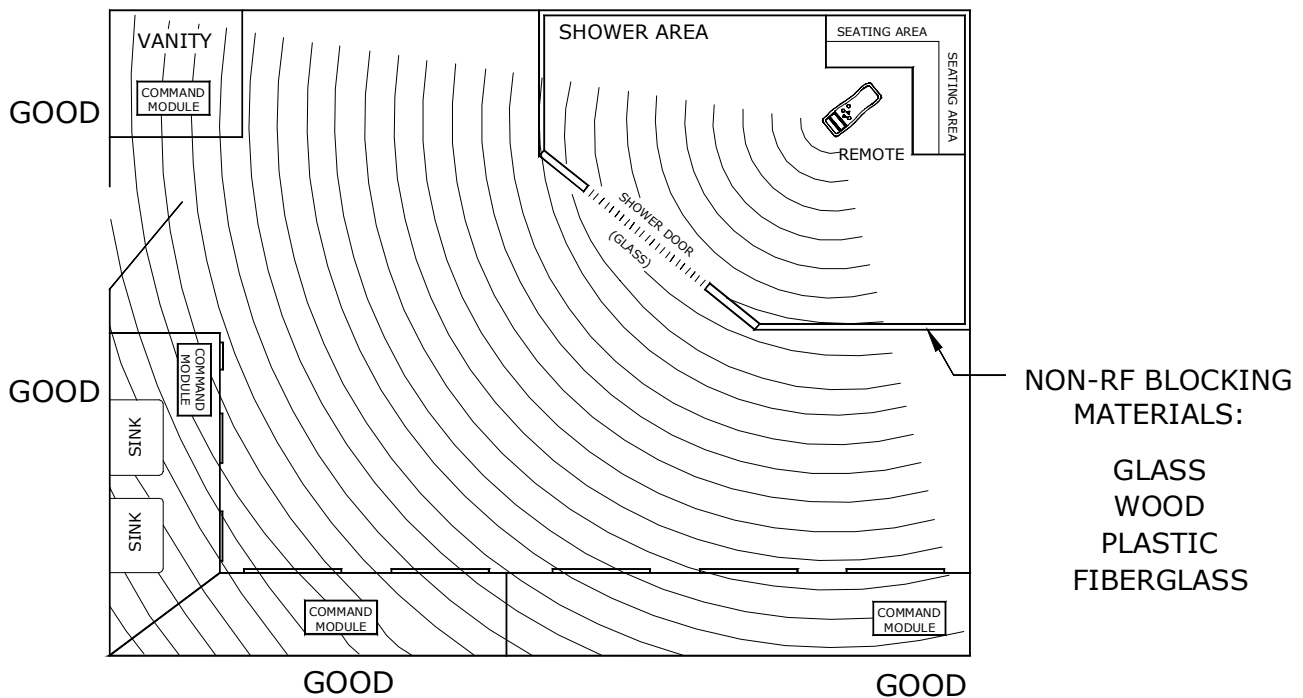


Figure 10a Various options for the Command Module location.

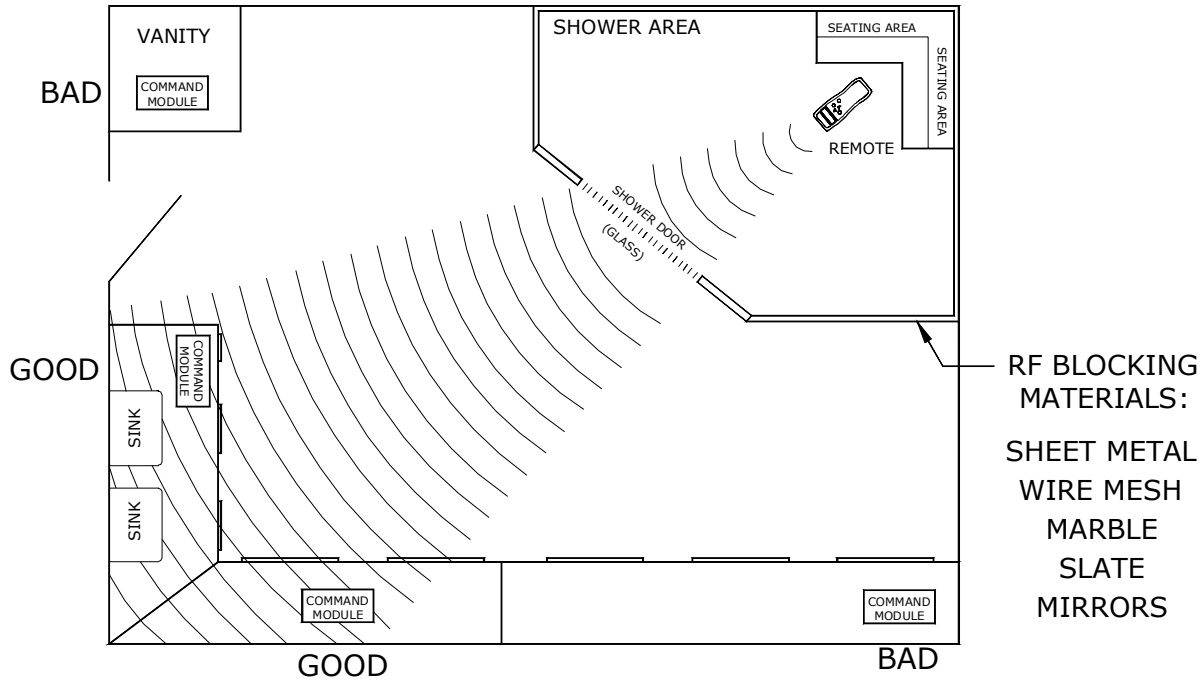


Figure 10b Various options for the Command Module location.

10. The Command Module **may** be installed up to 50 feet away from the shower area **without** any of the obstructions in the RF path as described previously.
11. **NOTE:** If you have the 6 CD Changer option, you must locate the CD changer within 15 feet of the Command Module (due to length of the CD Changer control cable). The CD Changer is powered by an on-board power supply in the Command Module.
12. **NOTE:** If you have the Moodlight option, the Moodlight Power Supply must be located within 5 feet of the Command Module and also be powered with a standard 110 VAC Outlet.
13. Remove the cover of the Command Module by unscrewing the four screws located at each corner on top of command module (see **Figure 11**).

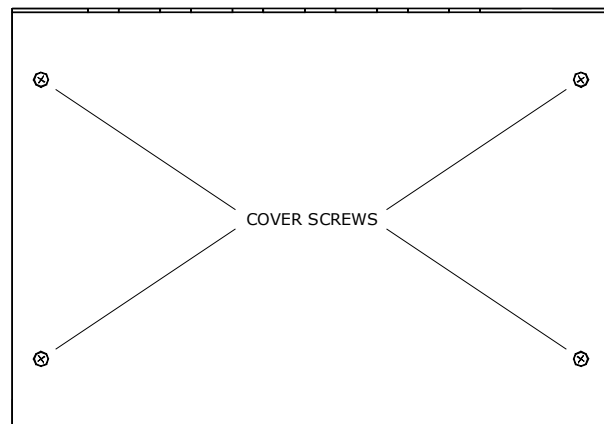


Figure 11 Command Modules.

14. With no power connected to the Command Module, install the CD Changer PCB Module, Moodlight PCB Module and Phone PCB Module in the slots on the motherboard in the (options ordered will determine which boards you will be required to install). Each module can be installed in any of the slots along the back wall of the motherboard as long as the PCB Module will fit. **IT IS VERY IMPORTANT** that the pins of the PCB Modules are lined up properly in the sockets on the motherboard or the system may be damaged (see **Figure 12**). The Steam Control PCB Module and Proportional Heating PCB Module (if Pro-Heat option is ordered) will already be pre-installed in the Command Module.

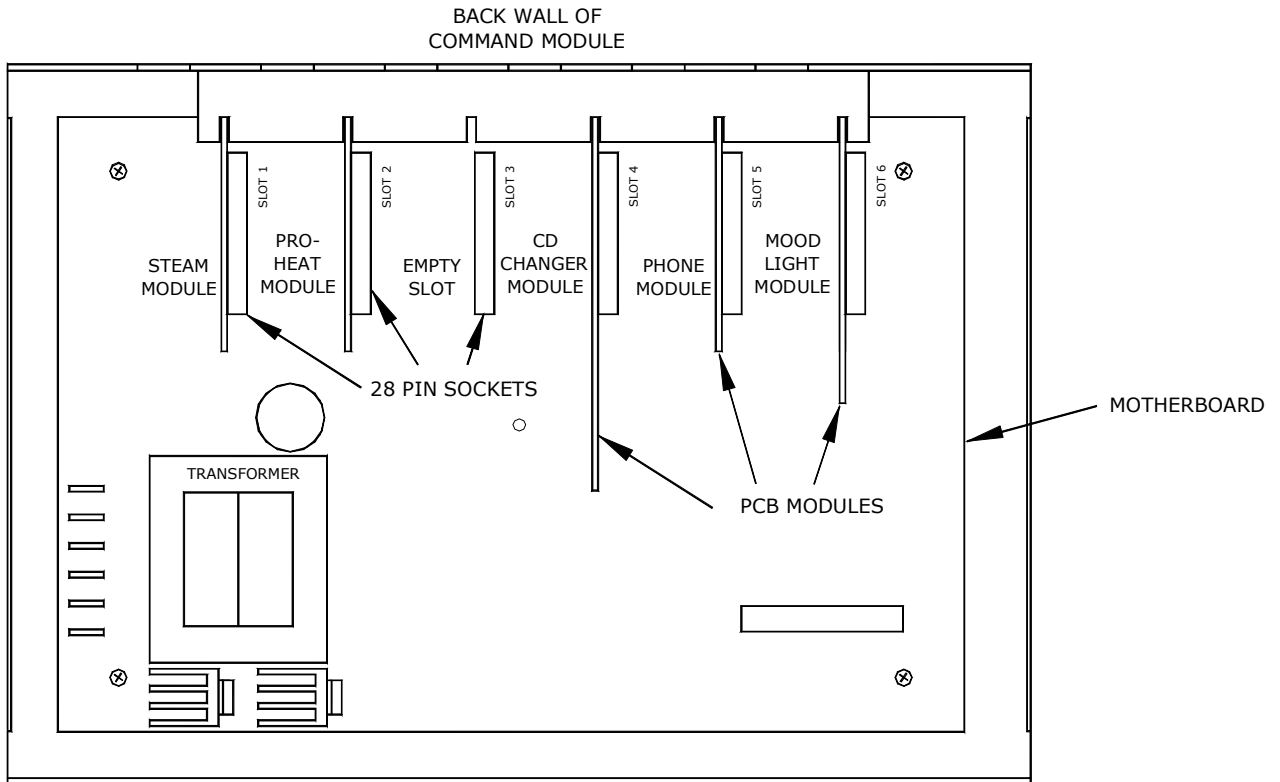


Figure 12 Command Module with top cover removed to install PCB Modules.

15. Install 18 AWG wire for Moodlight from the Command Module location to the location where the Moodlight will be placed (if Moodlight option is used). See **Figure 14** for wiring detail. Refer to Moodlight Installation Instructions for installing the Moodlight fixture.
16. Install 18 AWG wire for speakers from the Command Module to the location where the speakers will be placed (if Phone and/or CD Changer option is used). See **Figure 14** for wiring detail. Refer to Installation Instructions: Speakers – CD Changer - Phone for installing these components.
17. Locate a mounting area for the Remote/MIC holder within or near the shower area. Holder **MUST** be within the shower area since components within the holder regulate the temperature. The holder should be mounted at eye level of the tallest person using the Ambiance unit, and away from the steam head so that a false temperature reading is not given. Drill three holes in the wall where the Remote Holder is to be mounted (see **Figure 13** for drilling dimensions). Run cables labeled "TEMP SENSOR" and "PHONE MIC" hanging from the remote holder to the Command Module location. You will need to supply 18 AWG wire to extend the Temp Sensor wires through the 5/16" hole just drilled to the labeled wires coming out of the Command Module. You will also need to supply a 3.5mm microphone cable extension(s) to the Command Module if you have purchased the phone option or intend to. Place wall anchors in the two 5/16" holes. Place screws into anchors and tighten down leaving enough room to slide remote holder key slots over the screws to hold it in place. Place a generous amount of water proof/water based

silicone around the hole on the back of remote holder where the wires are coming out to prevent moisture from getting into the wall. Slide the holder onto the two anchors.

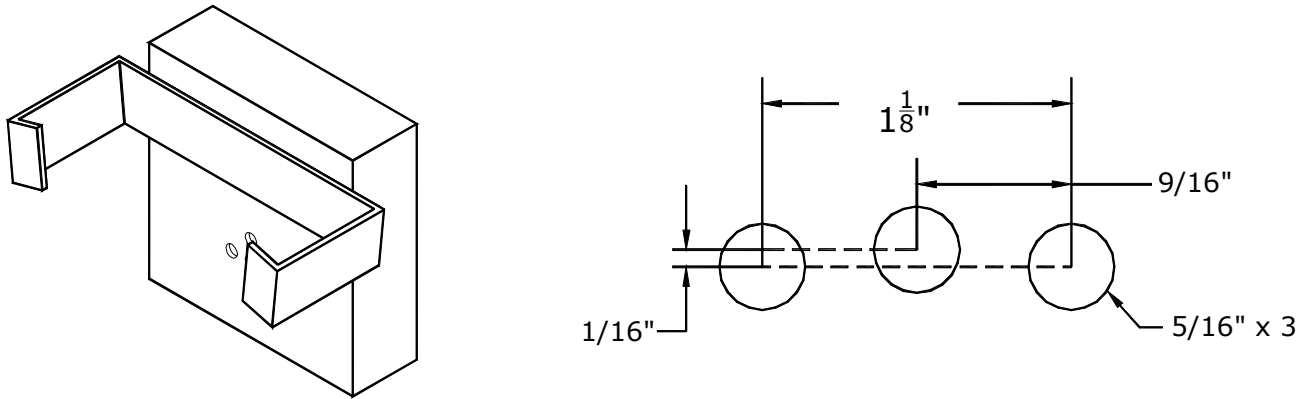


Figure 13 Remote/MIC Holders Mounting.

***** Insure that the Holder is NOT located directly above the steamhead/ or in contact with running water (example: shower head)****

18. Plug the 50-foot cable supplied with the steam generator into the steam generator. See **figure 1** for location of plug on the generator. Run the other end of the command cable to the command center. **DO NOT PLUG IT INTO THE STEAM BOARD YET.**
19. Plug the temperature sensor cable into the steam board. Plug the cable from the generator into the steam board, see **figure 14.**

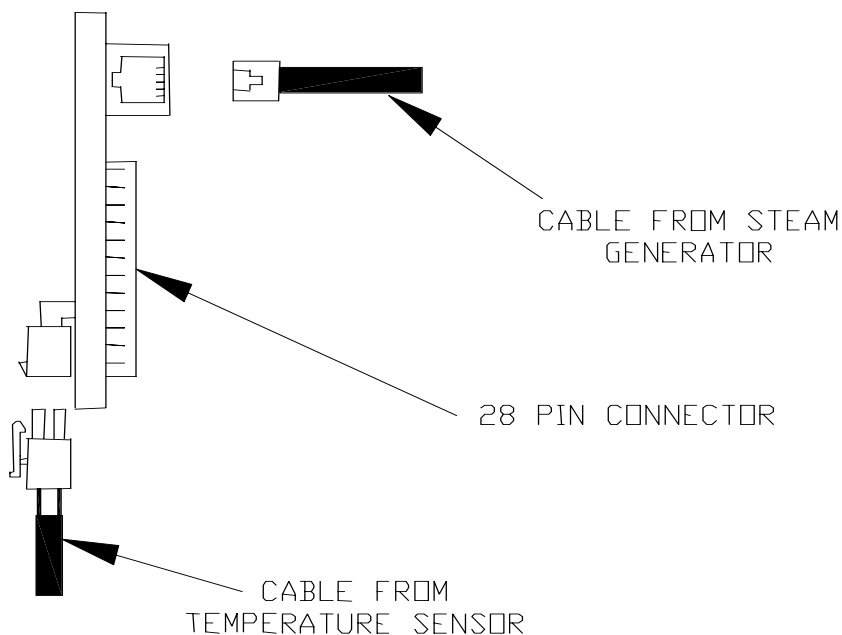


Figure 14

ENSURE THAT ALL POWER IS TURNED OFF TO THE WORK AREA!!!

20. Connect the various components of the Ambiance Steam Shower System as shown in the following wiring diagram (see **Figure 15**). **All wiring for the system exits out the holes in the back of the Command Module.**

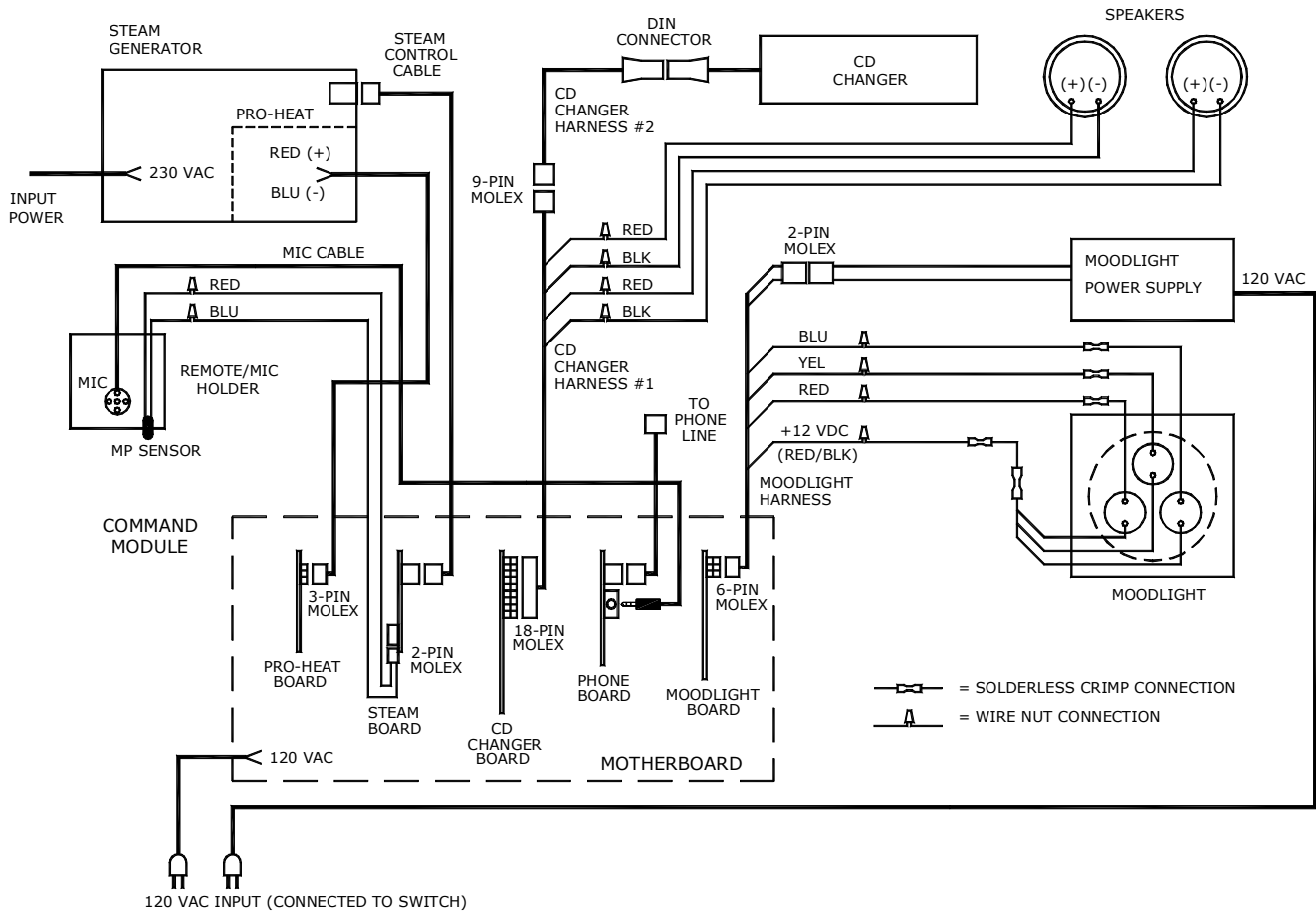


Figure 15 Ambiance Steam Shower Wiring Diagram (with all options).

21. Place the cover back onto the command center and tighten down the four screws. Do not over tighten the screws (see **Figure 11**).

22. Locate the power cable coming from the back wall of the Command Module. **Connect the power cable to a 110 volt outlet that is switched on/off by a conveniently located wall mount switch that will operate only the Ambiance system.** See **figure 16**. Due to the variety of switches, refer to the instructions of the switch to ensure proper wiring. Make sure that the Command Module is the only device ran by the power switch. The Moodlight Power Supply *may* also be connected to the switched outlet.

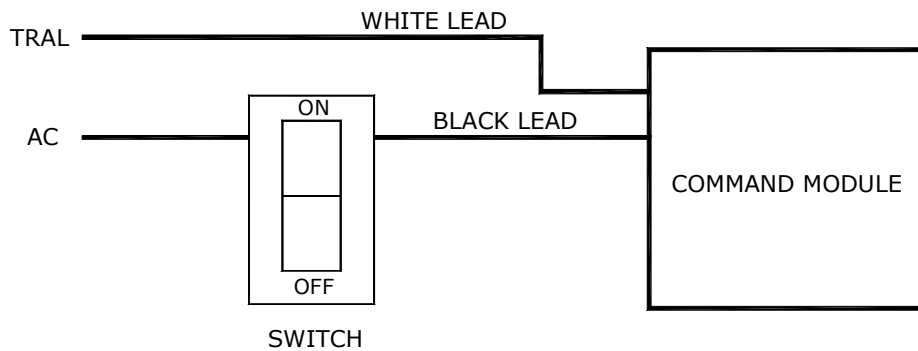


Figure 16

DO NOT TURN THE POWER ON UNTIL ALL INSTALLATION STEPS ARE COMPLETE.

23. Carefully read Remote operation instructions. Plug in the 110 VAC power cords for the Command Module and Moodlight Power Supply. Once you read the instructions, power on the Command Module. Refer back to instructions as a guide through the Remote menus.

Proportional Heat Option Installation Instructions

Material Needed:

- 2 conductor 18 AWG wire (length varies by installation).
- solderless connectors and crimping tool.

1. **Disconnect Command Module from 110-volt power source.**
2. Connect 2-conductor 18 AWG wire from the Pro-Heat PCB Module in the Command Module to the lines coming out of the black box on top of the Steam Generator. The wires are labeled "PRO-HEAT" on both ends (see **Figure 17**).
3. Be sure that the positive wire (red) from the Command Module is connected to the positive (red) wire at the generator or permanent damage will result.
4. Connect Command Module to 110-volt power source.

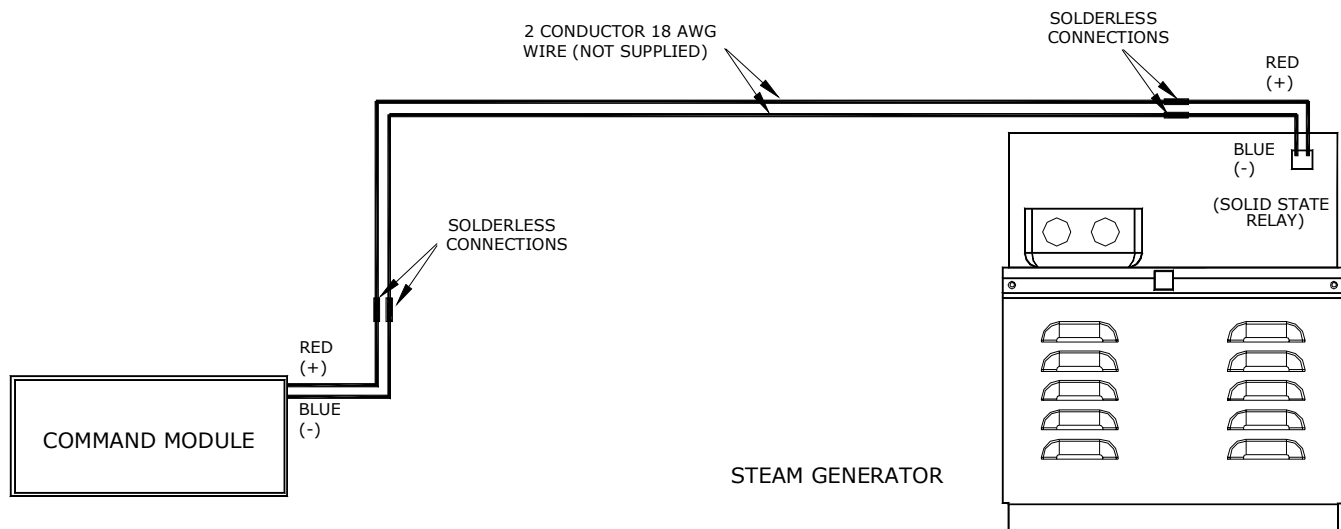


Figure 17

Headquarters & Technical Support
2255 Union Place, Simi Valley, CA 93065 – (800) 776.0711

Eastern Sales Office
26 Industrial Avenue, Fairview, NJ 07022 – (800) 631.1601

