



Cleanse Your Body. Purify Your Soul.

Installation Instructions

Ambiance Environment System

If you are installing this system, please leave this owners manual & warranty card with the owner when you finish the installation.

Thank You!

Note: Before contacting Customer Service for Technical Support, please have the serial numbers located on the back of the Command Module, Remote Control and CD Changer PCB (if CD Changer option is ordered).

Headquarters & Technical Support
2255 Union Place, Simi Valley, CA 93065 – (800) 776-0711

Eastern Sales Office
26 Industrial Avenue, Fairview NJ 07022 – (800) 631-1601

www.thermasol.com

Ambiance Environment Installation Instructions

Parts Enclosed

- Ambiance Command Module (standard).
- Ambiance Remote Control with Remote/MIC Holder (standard).
- Installation instructions.

** The Ambiance Environment System can be ordered with one or any combination of the 4 options. Ambiance Speaker PCB Module is required to operate Phone and/or CD option.

Materials Needed

- Wire cap nuts or solderless crimp connectors to be used for Moodlight and Speaker wiring.
- 3.5mm microphone extension cord(s) to be used with Phone option.
- 18 AWG stranded wire for extending Moodlight and Speaker wiring as needed.

Tools Needed

- Wire cutters and wire strippers.
- Screwdriver (Small Phillips).
- 5/16" drill bit.
- Drill motor
- Crimpers (if solderless connectors are used for connections).
- Other tools as required.

Requirements for proper installation

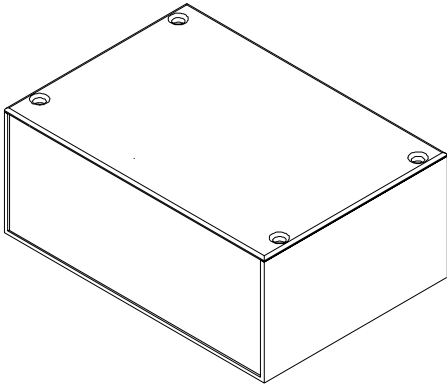
READ ALL INSTRUCTIONS COMPLETELY BEFORE ATTEMPTING INSTALLATION!!!

ENSURE THAT ALL POWER IS TURNED OFF TO THE WORK AREA!!!

NOTE: Failure to follow specific installation instructions will cause the Warranty to be void.

Electrical Installation

Installing Ambiance Command Module



This Device complies with part 15 of the FCC rules. Operation is subject to the following two conditions:

- (1) This device may not cause harmful interference and
- (2) This device must accept any interference received, including interference that may cause undesired operation.

1. **The Command Module location with respect to the Remote Control is important for optimal operation!** Due to FCC regulations on this unit and low power transmission of the RF (radio frequency) signals for compliance with FCC rules, it is highly recommended that the Command Module be placed as close as physically possible to the area where the Remote will be in use. **Do not locate** the Command Module in a place that is obstructed by any metal, marble tile, slate tile, mirrors or materials that would block the radio transmission path between the Command Module and the Remote in use (see **FIG. 1** for typical placement of Command Module). Also, to avoid radio frequency interference with operation of the Ambiance Environment system, do not locate the Command Module near any devices that operate on or near 900 MHz frequency range (ie. cell phones, cordless phones, garage door openers, etc.).

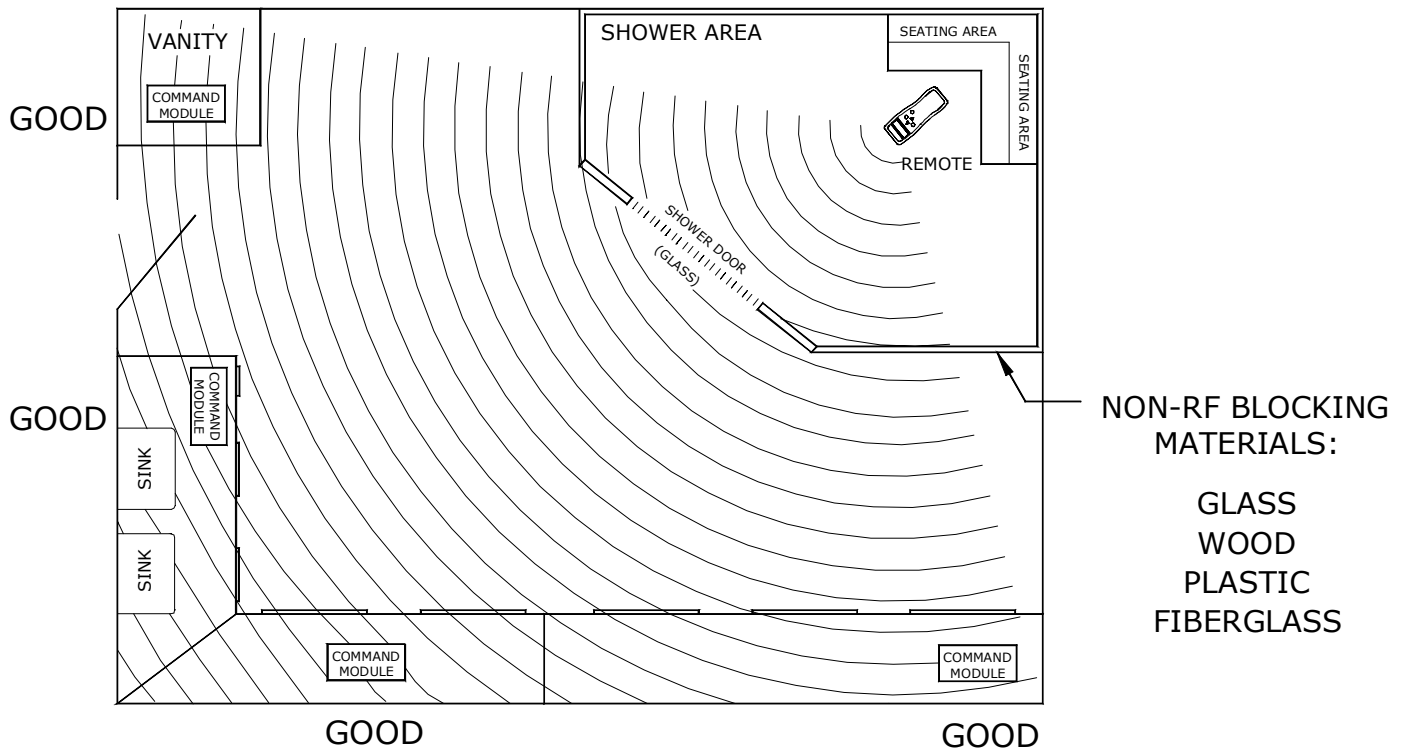


FIG. 1a Various options for the Command Module location.

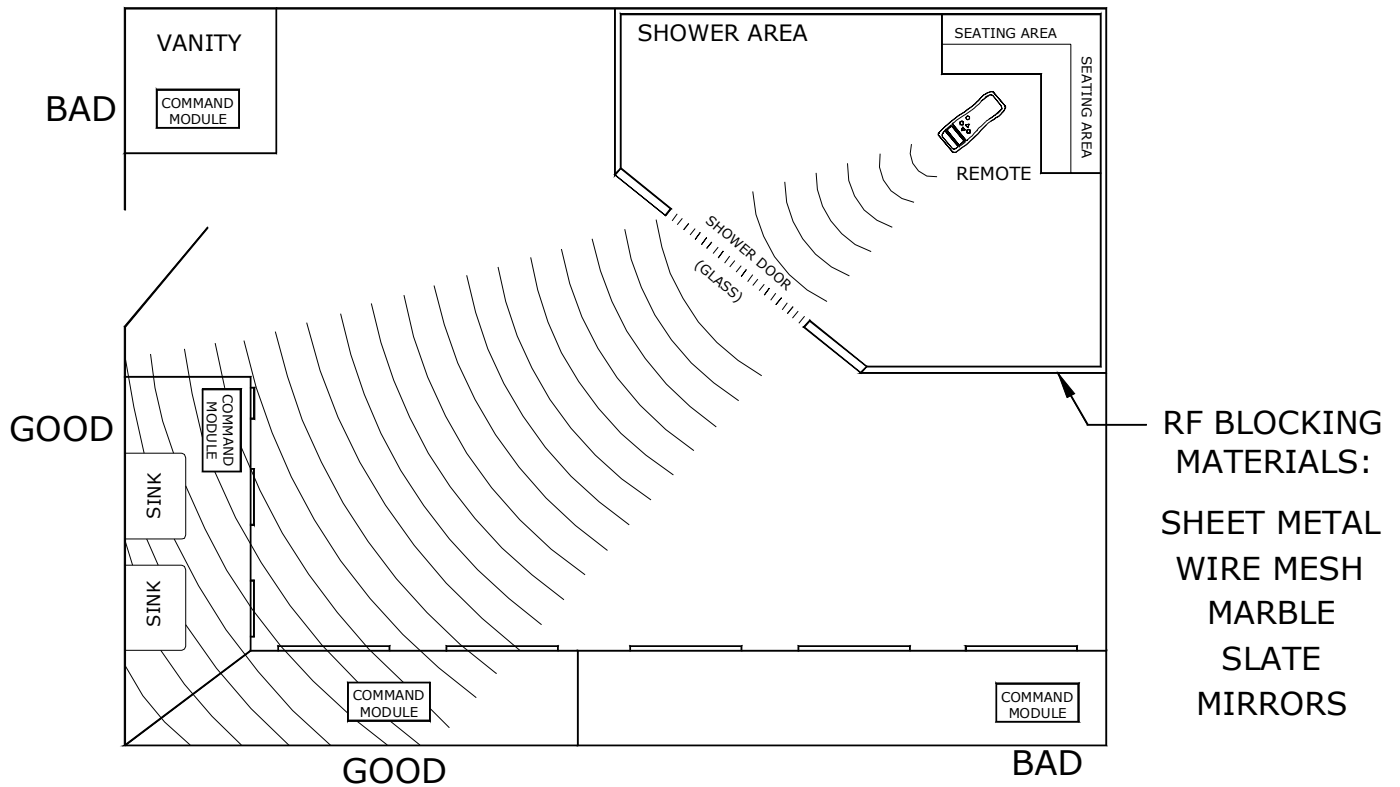


FIG. 1b Various options for the Command Module location.

2. The Command Module **may** be installed up to 50 feet away from the shower area **without** any of the obstructions in the RF path as described previously.
3. **NOTE:** If you have the 6 CD Changer option, you must locate the CD changer within 15 feet of the Command Module (due to length of the CD Changer control cable). The CD Changer is powered by an on-board power supply in the Command Module.
4. **NOTE:** If you have the Moodlight option, the Moodlight Power Supply unit (not the Moodlight) must be located within 5 feet of the Command Module and also be powered with a standard 110 VAC Outlet.
5. Remove the cover of the command module by unscrewing the four screws located at each corner on top of command module (see **FIG. 2**).

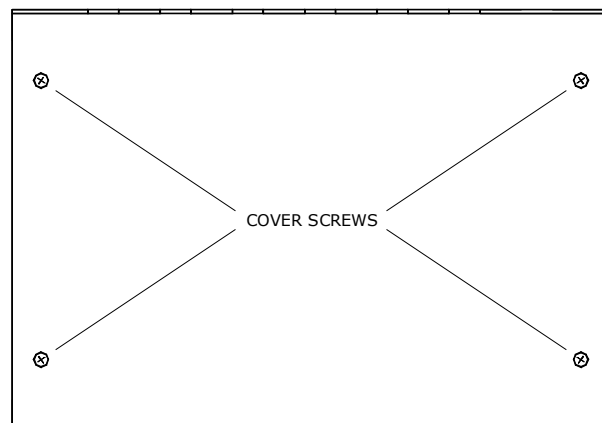


FIG 2. Command Module.

6. **BEFORE CONNECTING POWER** to the Command Module, install the CD Changer PCB Module, Moodlight PCB Module and Phone PCB Module in the slots on the motherboard in the (*options ordered will determine which boards you will be required to install*). Each module can be installed in any of the slots along the back wall of the motherboard as long as the PCB Module will fit. **VERY IMPORTANT:** All the pins of the PCB Modules **MUST** line up properly with every socket on the motherboard slot or the system will be **DAMAGED** (see **FIG. 3**).

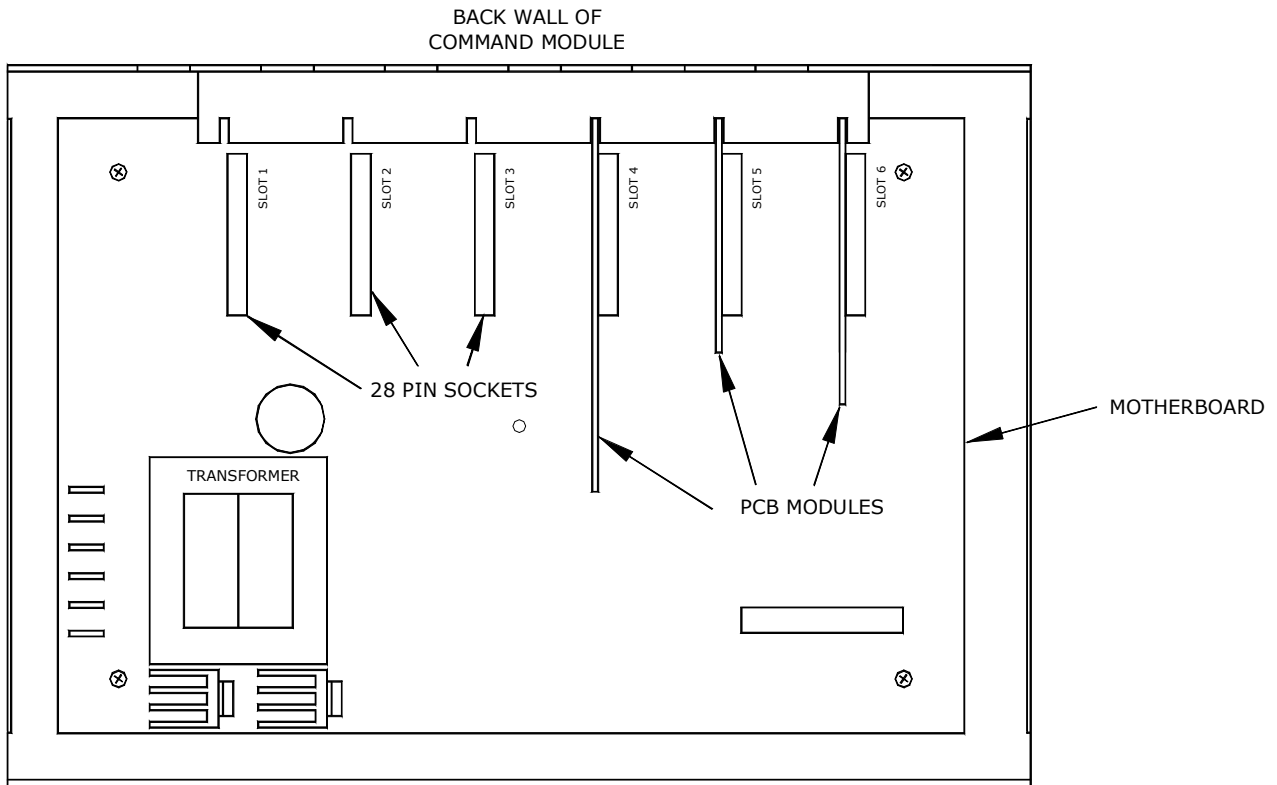


FIG.3 Command Module with top cover removed to install PCB Modules.

7. Install 18 AWG wire for Moodlight from the Command Module location (Moodlight PCB) to the location where the Moodlight will be placed (if Moodlight option is used). See **FIG. 5** for wiring detail. Refer to Moodlight Installation Instructions for installing the Moodlight fixture.
8. Install 18 AWG wire for speakers from the Command Module to the location where the speakers will be placed (if Phone and/or CD Changer option is used). See **FIG. 5** for wiring detail. Refer to Installation Instructions: Speakers – CD Changer - Phone for installing these components.
9. Locate a mounting area for the Remote/MIC holder within or near the shower area. The holder should be mounted at eye level of the tallest person using the ambiance unit. Drill three holes in the wall where the Remote Holder is to be mounted (see **FIG 4.** for drilling dimensions). If you have purchased the Phone option, run the cable marked "PHONE MIC" hanging from the remote holder to the Command Module location. You will need to supply 3.5 mm extension cable(s) through the 5/16" hole just drilled running to the Command Module location. Place wall anchors in the two 5/16" holes. Place screws into anchors and tighten down leaving enough room to slide remote holder key slots over the screws to hold it in place. Place a generous amount of water proof silicone around the hole on the back of remote holder where the wires are coming out to prevent moisture from getting into the wall. Slide the holder onto the two anchors.

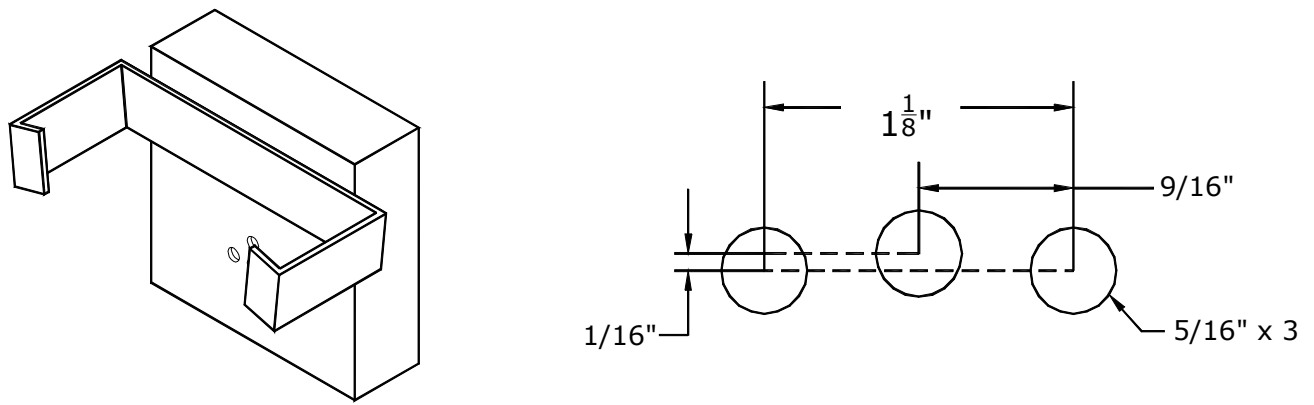


FIG 4. Remote/MIC Holder Mounting

NOTE: The Remote could malfunction or be damaged if exposed to excessive dry heat! It is highly recommended that the remote be located outside of the extreme dry heat environment.

ENSURE THAT ALL POWER IS TURNED OFF TO THE WORK AREA!!!

10. Connect the various components of the Ambiance Environment System as shown in the following wiring diagram (see FIG. 5). All wiring for the system exits out the holes in the back of the Command Module.

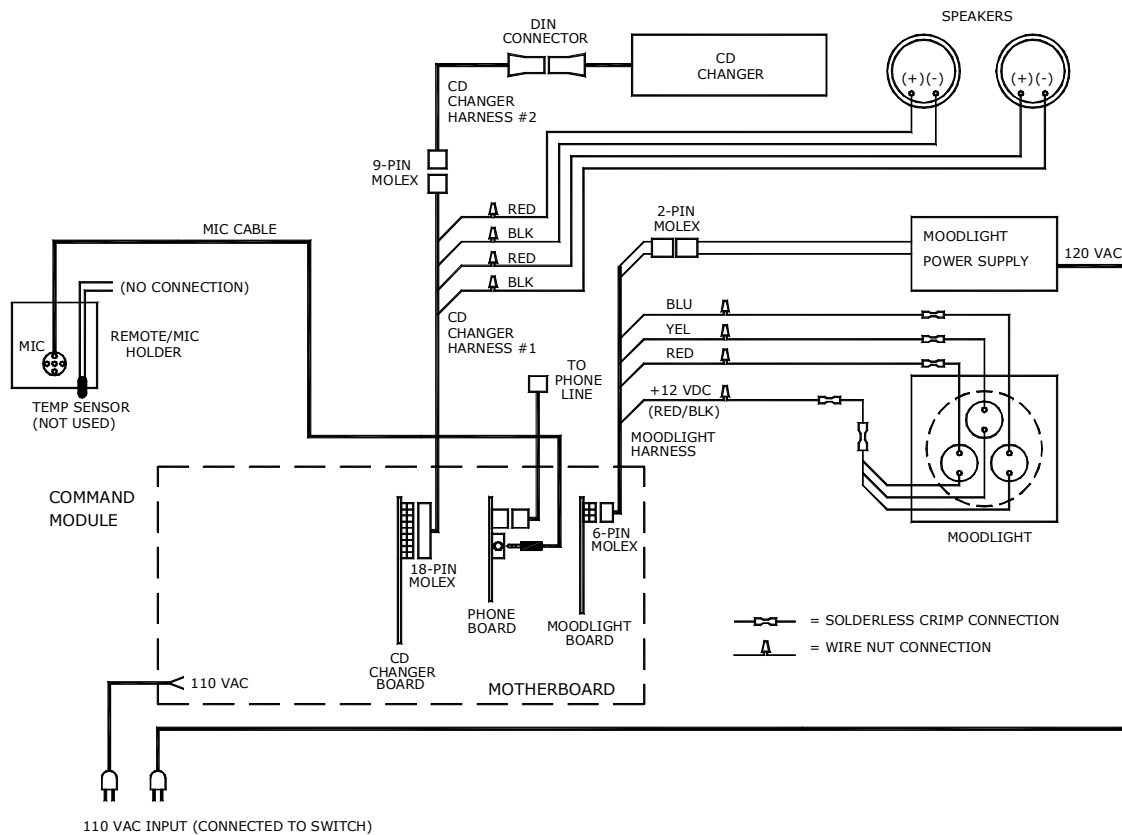


FIG. 5 Ambiance Environment Wiring Diagram (all 3 options).

11. Place the cover back onto the command center and tighten down the four screws. Do not over tighten the screws (see **FIG 2.**).
12. Locate the power cable coming from the back wall of the Command Module. **Connect the power cable to a 110-volt outlet that is switched on/off by a conveniently located wall mount switch that will operate only the Ambiance system.** Due to the variety of switches, refer to the instructions of the switch to ensure proper wiring. Make sure that the Command Module is the only device ran by the power switch. The Moodlight Power Supply *may* also be connected to the switched outlet.

DO NOT TURN THE POWER ON UNTIL ALL INSTALLATION STEPS ARE COMPLETE.

13. Carefully read Remote operation instructions. Plug in the 110 VAC power cords for the Command Module and Moodlight Power Supply. Once you read the instructions, power on the Command Module. Refer back to instructions as a guide through the Remote menus.