



Headquarters & Technical Support  
2255 Union Place, Simi Valley, CA 93065 – (800) 776.0711 (805) 520.2468

Eastern Sales Office  
26 Industrial Avenue, Fairview, NJ 07022 – (800) 631.1601 (201) 941.8222

[www.thermasol.com](http://www.thermasol.com)

## MoodLight Installation Instructions

Please read and follow the instructions completely before beginning installation.

**WARNING: Must be installed according to National and Local Electrical codes. ThermaSol requires a licensed electrician perform all electrical work.**

### Parts Enclosed:

- Light fixture
- Mounting Bracket
- Moodlight printed circuit board and harness
- Moodlight Power Supply
- Trim Accessory (Acorn nuts, Headless screws, glass, Cork gasket)
- 3 ea. – 12v 20watt Halogen lights (Red, Yellow, Blue)

### Materials needed:

- Drill
- 3/16" drill bit
- 5 7/8" Hole saw (or tile cutting bit)
- Wire- 4 conductor 18 gauge, length: as needed
- 8 ea. -18awg Solderless Connectors

# **CONSUMER WARNING**

## **WARNING**

**THIS PRODUCT MUST BE INSTALLED ACCORDING TO NATIONAL AND LOCAL ELECTRICAL CODES. THERMASOL REQUIRES A LICENSED ELECTRICIAN PERFORM ALL ELECTRICAL WORK.**

## **WARNING**

**TO AVOID FIRE HAZARD, THERMAL INSULATION SHOULD NOT BE INSTALLED WITHIN 24 INCHES OF THE TOP OR WITHIN 3 INCHES OF THE SIDE OF A RECESSED ENCLOSURE, WIRING COMPARTMENT OR BALLAST, AS REQUIRED BY NATIONAL ELECTRICAL CODE.**

## **WARNING**

**NEVER TOUCH LENS ON BULBS. BULBS ARE VERY HOT AND WILL BURN YOU. ALSO, OILS FROM YOUR SKIN CAN DAMAGE THE MOODLIGHT BULBS.**

## **WARNING**

**ALL PINS OF THE MOODLIGHT BOARD MUST LINE UP WITH EACH HOLE OR PERMANENT DAMAGE WILL RESULT. DO NOT FORCE.**

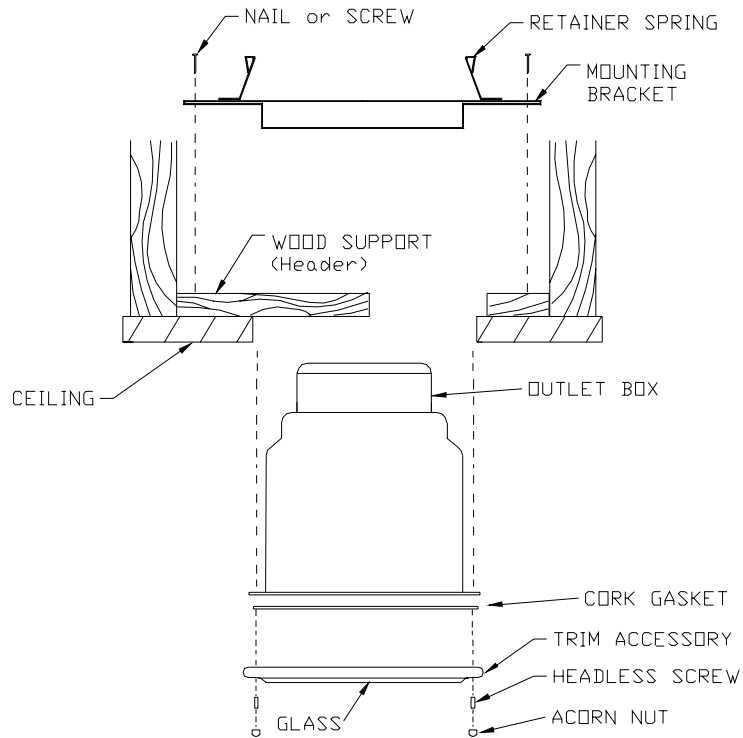


FIGURE 1

1. Cut a 5 7/8" Dia. Hole in desired location, Screw or nail mounting bracket (see figure #1) to suitable wood support provided between joist. R-416 or R-424 bar hangers (purchased separately) may be used. Drill three 3/16" Dia. Clearance holes for mounting of trim accessory as shown in figure #2.

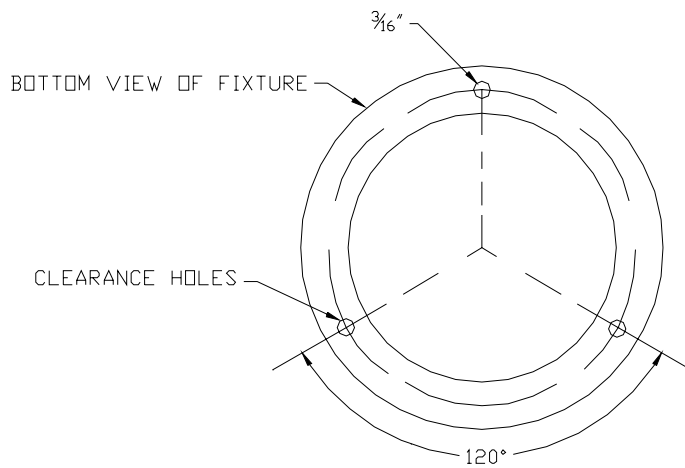


FIGURE 2

**“WARNING”**

***To avoid fire hazard, thermal insulation should not be installed within 24 inches of the top or within 3 inches of the side of a recessed enclosure, wiring compartment or ballast, as required by National Electric Code.***

2. Install your 18 AWG 4 conductor wire to the 4 - 18 AWG wires on the moodlight housing by sliding the junction box over the wire (See figure #4), make the connections using 18 AWG solderless connectors. Make sure to designate the red positive 12-volt wire so it corresponds with the red 12-volt wire on the wiring harness (Both of these wires are labeled). The other three wires can be connected in any order, connect the green ground wire to grounding point (see figure #4).
3. After making the connections, slide the junction box back to the housing and squeeze the tabs into the slots on top of the housing. Ensure that outlet box is secured, and push fixture up through mounting bracket, aligning “T” slots on fixture with retainer springs on the mounting bracket. Push fixture tight against ceiling.

**WARNING: NEVER touch lens on bulbs, oils from your skin can damage the mood light.**

4. Insert the three lights enclosed into the MoodLight fixture, by aligning pins connectors to one of the sockets located within the fixture, (See figure #3).

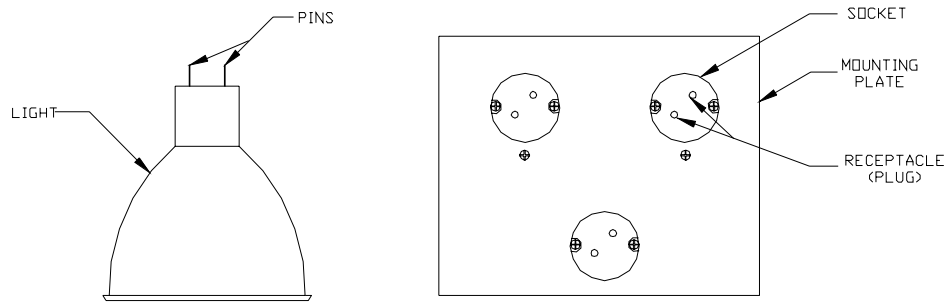


FIGURE 3

5. Turn headless machine screws onto acorn nuts as far as possible. Position trim assembly (with glass in place) and cork gasket onto housing, being careful to lineup holes on trim assembly with holes in housing. (Figure #1) Insert screws with acorn nuts into holes and turn by hand clockwise. Make sure trim is snug against housing. **DO NOT OVERTIGHTEN.**
6. Make sure that all power to Command Module is turned off, remove cover and locate an open slot on Mother Board. (Figure #4) carefully connect wiring harness to MoodLight option board before installing into Command Module. Being careful, gently insert card by aligning with metal bracket located on the side of Command Module housing, make sure that all pins line up. **DO NOT FORCE. ALL PINS MUST LINE UP WITH EACH HOLE OR PERMANENT DAMAGE WILL RESULT.**

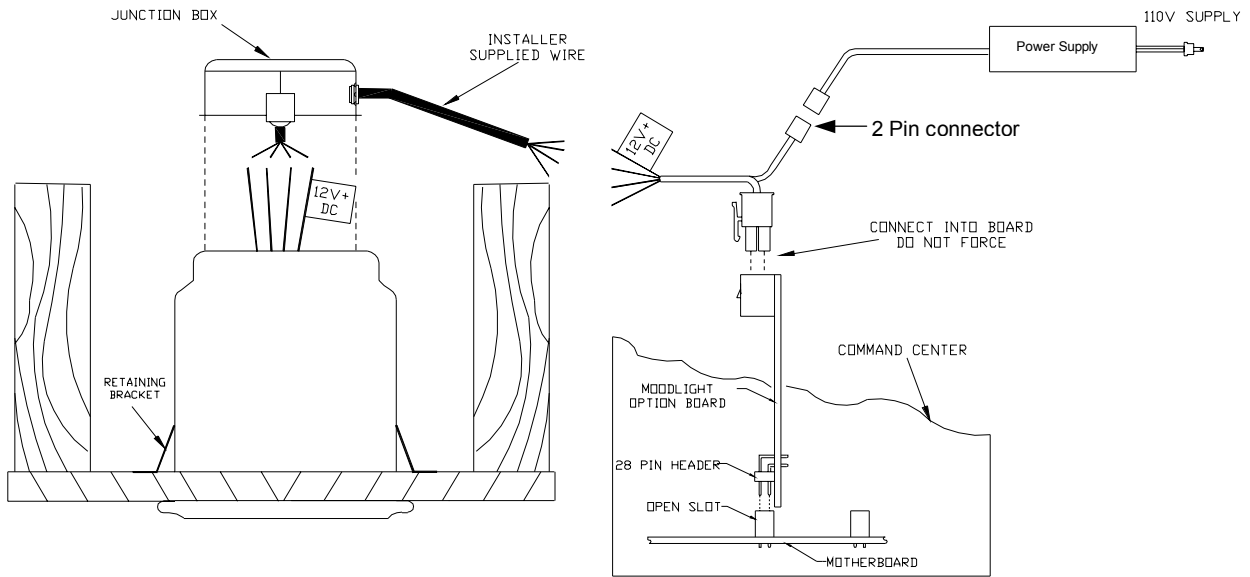


FIGURE 4

7. Connect the white two-pin connector from the harness just installed to the white two-pin connector located on the wire coming from the power supply.
8. Connect Mood Light power supply to an 110v power source. Connect Ambiance Command Module to 110v power source.

**Note: See the Command Module instructions for installation procedures.**