

THERMASOL

Cleanse Your Body. Purify Your Soul.



Installation Instructions

Ambiance PRO Series

With Fast Start Technology
Manufacture Post 2005



If you are a plumber installing this unit, please leave this owners manual & warranty card with the owner when you finish the installation.

This Instruction supercedes all previous information provided by ThermaSol

Thank You!

CONSUMER WARNING

- DO NOT USE THIS PRODUCT UNLESS YOU HAVE CONSULTED YOUR DOCTOR AND RECEIVED WRITTEN PERMISSION TO DO SO. USE OF THIS PRODUCT MAY BE HAZARDOUS TO YOUR HEALTH.
- STEAM IS HOT! DO NOT TOUCH OR GO NEAR THE STEAMHEAD FROM THE TIME THE UNIT IS "ON", UP TO ONE HOUR FROM THE TIME THE UNIT IS OFF. SEVERE BURN WILL OCCUR IF YOU COME IN CONTACT WITH THE STEAMHEAD OR STEAM EMITTING FROM THE STEAMHEAD.
- NEVER ATTEMPT TO FILL AROMA THERAPY RESERVOIR ON THE STEAMHEAD WHEN UNIT IS IN THE "ON" POSITION. SEVERE BURNS WILL OCCUR.
- DO NOT USE THERMASOL AROMA THERAPY OILS OR SKIN CARE PRODUCTS OR ANY PRODUCT IN CONJUNCTION WITH YOUR THERMASOL UNIT WITHOUT CONSULTING WITH YOUR ALLERGIST OR DOCTOR BEFORE USE. THESE PRODUCTS MAY BE HAZARDOUS TO YOUR HEALTH.
- YOUR SHOWER MAY BE A SLIP AND FALL HAZARD CHECK WITH YOUR CONTRACTOR OR FLOORING MANUFACTURER REGARDING THE SAFE USE OF YOUR FLOORING IN A STEAM APPLICATION. SLIPPING AND FALLING INTO THE STEAMHEAD ITSELF OR INTO THE STREAM OF STEAM EMITTING FROM THE STEAMHEAD WILL CAUSE SERIOUS BURNS, OR PHYSICAL INJURY.

Note: Before contacting Customer Service for Technical Support, please have the model number, serial number and date code (located on a circle to the lower right of the serial number), include all numbers and letters.

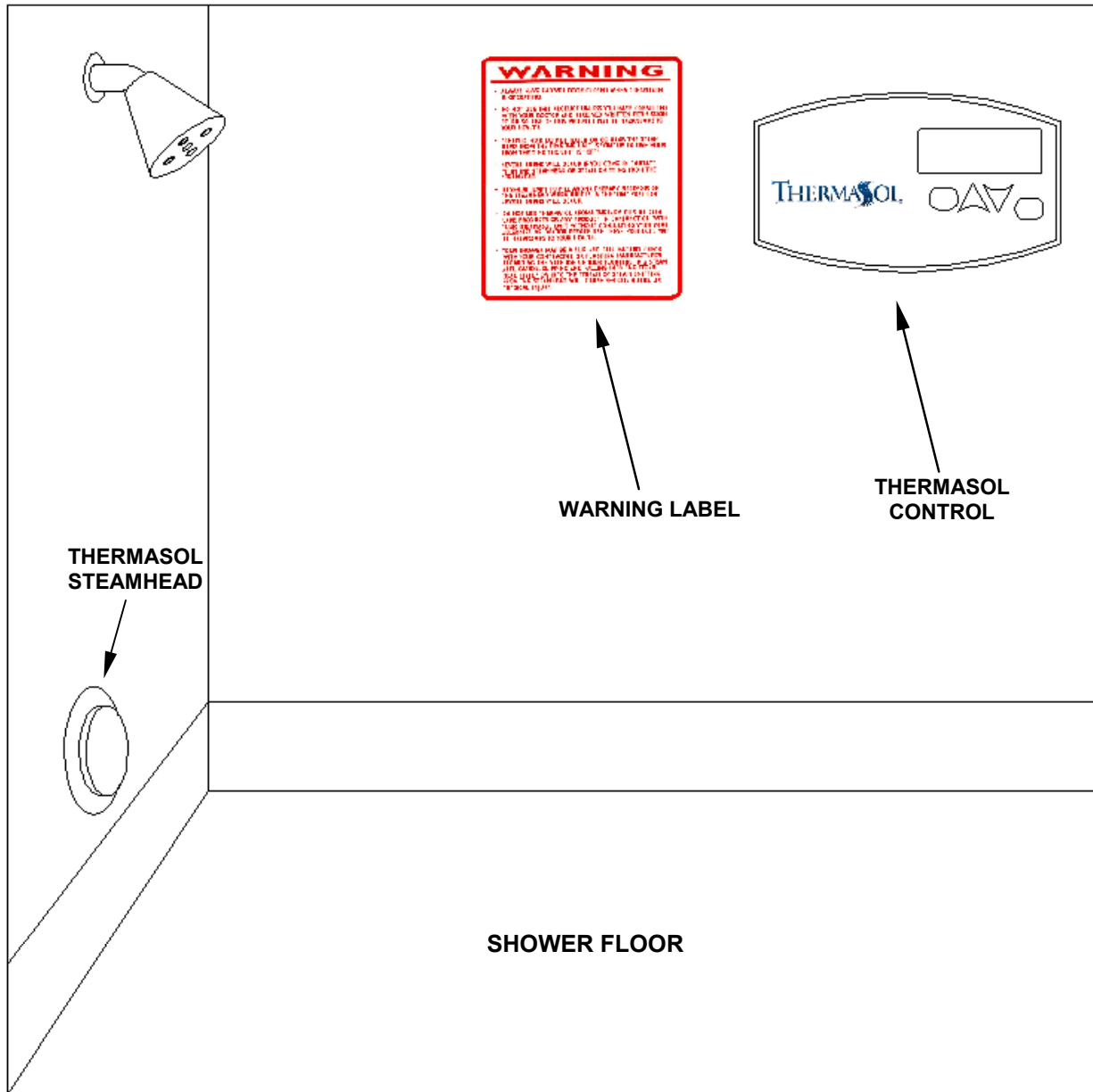
Headquarters & Technical Support

2255 Union Place, Simi Valley, CA 93065 – (800) 776-0711
Mon – Thur 7:00 – 5:00, Fri 8:00 – 12:00 PST

Eastern Sales Office

26 Industrial Avenue, Fairview, NJ 07022 – (800) 631-1601
Mon – Thur 7:00 – 5:00, Fri 8:00 – 12:00 EST
www.thermasol.com

**** NOTICE ****



YOU MUST ATTACH THIS STATIC CLING USER WARNING LABEL IN THE SHOWER NEXT TO THE CONTROL UPON COMPLETION OF INSTALLATION

Generator Installation Instructions

Parts Enclosed

- NoTouch Steamhead housing
- Steam generator
- Smitty pan
- 50 foot control cord
- Test kit with Instructions
- Installation Instructions
- Warranty card

All ThermaSol steam generators are designed to build NO PRESSURE during operation. This is for your safety.

Note: Failure to follow installation instructions specifically will cause the warranty to be void.

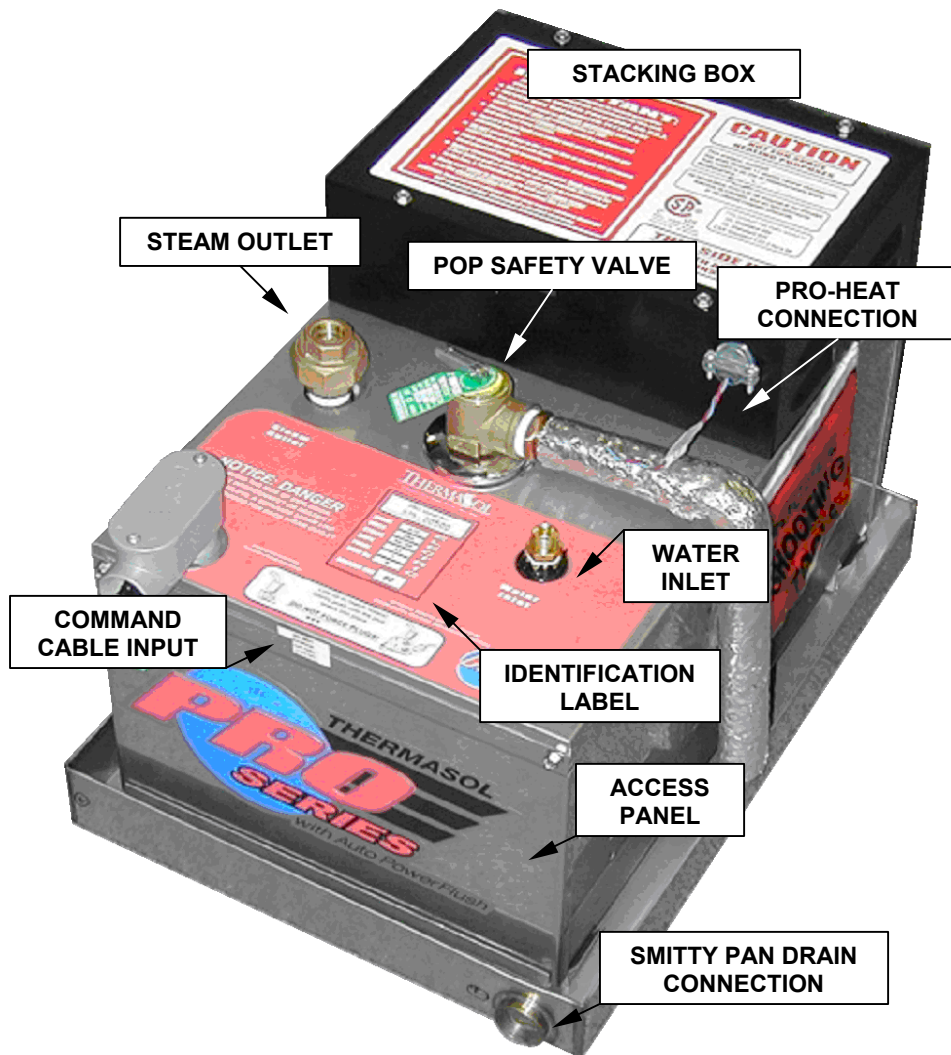


Figure 1

Note: The generator must be mounted level with all connections on top.

Generator Installation Instructions (con't)

Materials Needed

- Brass ball valve (for water supply shut off)
- Pipe compound
- Copper or brass fittings & nipples (sizes and quantities per instructions)
- In-line water filter (recommended)
- Wire (sizes and quantities per instructions)
- Copper tubing or pipe
- Wire cap nuts
- Flex conduit (for units 12KW and above)
- Brass or copper tee connection & plug
- Silicone
- Other materials as required

Tools Needed

- Pipe wrench
- Tubing cutter
- Wire cutters or wire strippers
- Adjustable wrench
- Screwdrivers (Phillips & regular)
- Solder & Flux
- 1-1/16" masonry drill bit
- 2-1/2" hole saw for NoTouch Steamhead
- Drill motor
- Propane torch
- Other tools as required

Note: ThermaSol steam bath generators are for indoor use only. They should never be located outside the home.

Note: ThermaSol steam bath generators are NOT designed to be used for space heating purposes.

Warning: Please consult your physician before using. If you are pregnant, elderly, have high blood pressure, diabetes, suffering from heart disease, intoxicated, or not in good health, do not use this steam bath.

CONSUMER WARNING

WARNING

DO NOT USE THIS PRODUCT UNLESS YOU HAVE CONSULTED WITH YOUR DOCTOR AND RECEIVED WRITTEN PERMISSION TO DO SO. USE OF THIS PRODUCT MAY BE HAZARDOUS TO YOUR HEALTH.

WARNING

NEVER ATTEMPT TO FILL AROMA RESERVOIR ON THE STEAMHEAD WHEN UNIT IS IN THE ON POSITION. SEVERE BURNS WILL OCCUR.

WARNING

DO NOT USE THERMASOL AROMA THERAPY OILS OR SKIN CARE PRODUCTS OR ANY PRODUCT IN CONJUNCTION WITH YOUR THERMASOL UNIT WITHOUT CONSULTING WITH YOUR ALLERGIST OR DOCTOR BEFORE USE. THESE PRODUCTS MAY BE HAZARDOUS TO YOUR HEALTH.

WARNING

YOUR SHOWER MAY BE A SLIP AND FALL HAZARD CHECK WITH YOUR CONTRACTOR OR FLOORING MANUFACTURER REGARDING THE SAFE USE OF YOUR FLOORING IN A STEAM APPLICATION. SLIPPING AND FALLING INTO THE STEAMHEAD ITSELF OR INTO THE STREAM OF STEAM EMITTING FROM THE STEAMHEAD WILL CAUSE SERIOUS BURNS, OR PHYSICAL INJURY.

WARNING

STEAM IS HOT! DO NOT TOUCH OR GO NEAR THE STEAMHEAD FROM THE TIME THE UNIT IS "ON", UP TO ONE HOUR AFTER IT HAS SHUT OFF. SEVERE BURN WILL OCCUR IF YOU COME IN CONTACT WITH THE STEAMHEAD OR STEAM EMITTING FROM THE STEAMHEAD.

Requirements For Proper Installation

1. Ensure the steam room to be used is vapor proof. It should have a vapor proof door that seals well so the steam does not escape. Make sure the walls, ceiling and floor materials are suitable for use with steam and hot condensation, the steam produces.
2. Unit may be installed up to 50 feet away from steam room. In a dry well ventilated area.
3. Use copper or brass fittings only (**NEVER USE GALVANIZED FITTINGS**).
4. The water inlet uses 3/8" flex hose and steam outlet has a 1/2" brass union for easy installation.
5. The generator must be upright, accessible and on a level surface with all connections on top. Access panel must be unobstructed and allow for easy access. See Figure 1.
6. Place the Smitty Pan under the unit. Plumb the 3/4" drain connection on pan to an approved drain.
7. Connect a tee to the cold water line. Install copper pipe to the tee (see Figure 3).
8. Install a brass shut-off valve on the water inlet line in an accessible area prior to the brass union and recommended in-line water filter.
9. Before making the last connection to the 3/8" flex line going to the unit, flush the water line into a five-gallon pail to remove any silt or other materials that may be in the line.
10. Make the final connection and turn on water. All ThermaSol generators are equipped with an automatic water fill system. The water will stop after unit is filled.
11. The steam line can run up, down, or horizontal; **but cannot run down and then up**. If it does, a steam trap will be produced at the low point blocking the flow of steam. Insulate the steam outlet piping if the piping run exceeds 10 feet or is exposed to cold areas. **Note: Use steam rated insulation.**
12. **Do not** plumb a trap in the steam line or plumb the pressure relief valve into the steam line. **Plumbing the pressure relief valve into the steam line can be hazardous, should the steam outlet be capped off or obstructed.**
13. Pitch/angle steam line back towards generator and avoid perfectly level plumbed lines.
14. Make sure water is turned on before operating the unit.

Note: Failure to follow installation instructions specifically will cause the warranty to be void.

Sizing Your Steam Room

Factory Sized: L x W x H = Cubic Feet

Then choose the appropriate Model. No complicated formulas. It's that simple. For every foot of ceiling height over 8 ft. (always round up) use the next larger steam unit. Wall material irrelevant.

Generator Model	Factory Sized Cu Ft MAX	kW
AMBPRO-150	84	6
AMBPRO-300	140	8
AMBPRO-450	240	10
AMBPRO-575	395	12
AMBPRO-700	500	15
AMBPRO-900	650	20
AMBPRO-1200	850	24
AMBPRO-1500	1150	30

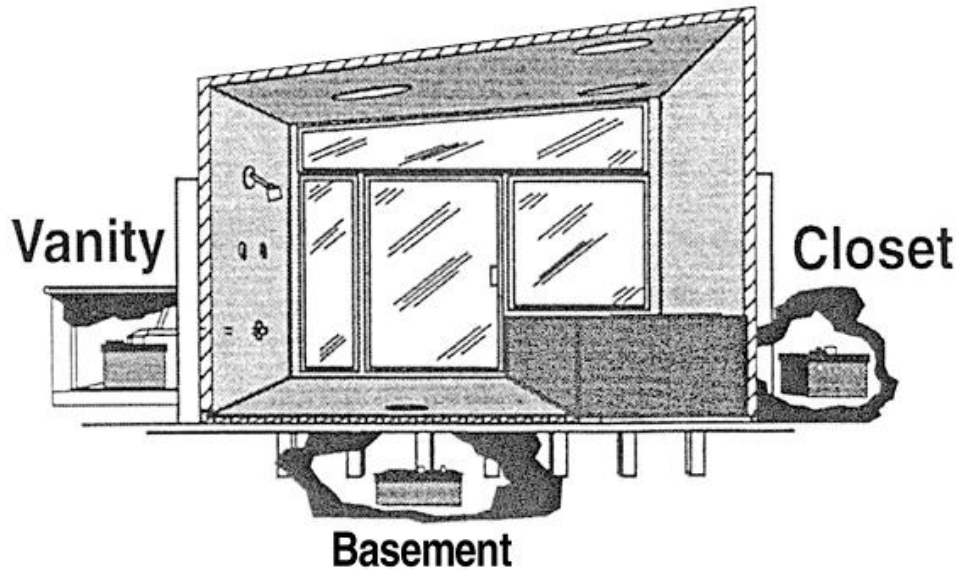


Figure 2

Various options for the ThermaSol steam bath generator location.

Important: **MAXIMUM** WATER PRESSURE not to exceed 70 P.S.I.

Warning: The Steamhead is HOT! Do not locate near a seat or bench, hot steam will burn you. Keep at least 12-14 inches away from hot steam exiting the Steamhead.

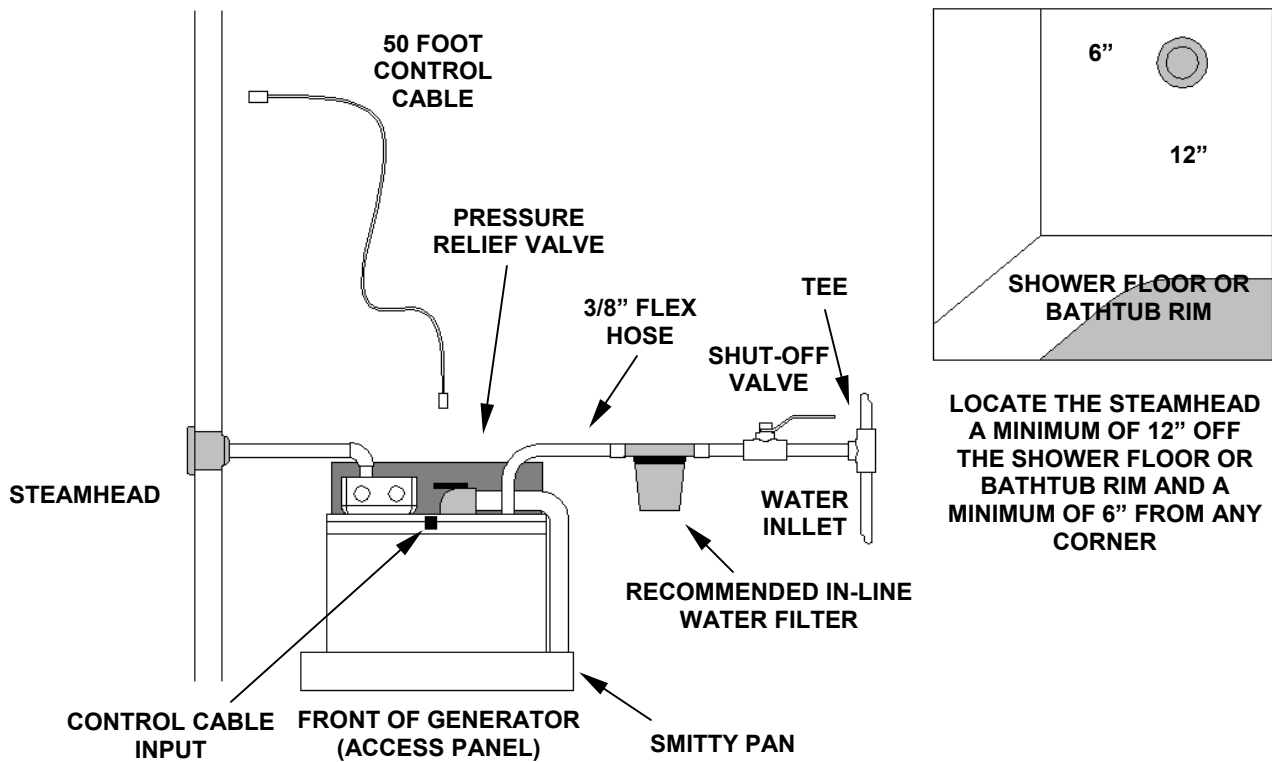


Figure 3

Note: The generator must be mounted level with all connections on top.

CONSUMER WARNING

WARNING

DO NOT USE THIS PRODUCT UNLESS YOU HAVE CONSULTED WITH YOUR DOCTOR AND RECEIVED WRITTEN PERMISSION TO DO SO. USE OF THIS PRODUCT MAY BE HAZARDOUS TO YOUR HEALTH.

WARNING

NEVER ATTEMPT TO FILL AROMA RESERVOIR ON THE STEAMHEAD WHEN UNIT IS IN THE ON POSITION. SEVERE BURNS WILL OCCUR.

WARNING

DO NOT USE THERMASOL AROMA THERAPY OILS OR SKIN CARE PRODUCTS OR ANY PRODUCT IN CONJUNCTION WITH YOUR THERMASOL UNIT WITHOUT CONSULTING WITH YOUR ALLERGIST OR DOCTOR BEFORE USE. THESE PRODUCTS MAY BE HAZARDOUS TO YOUR HEALTH.

WARNING

YOUR SHOWER MAY BE A SLIP AND FALL HAZARD CHECK WITH YOUR CONTRACTOR OR FLOORING MANUFACTURER REGARDING THE SAFE USE OF YOUR FLOORING IN A STEAM APPLICATION. SLIPPING AND FALLING INTO THE STEAMHEAD ITSELF OR INTO THE STREAM OF STEAM EMITTING FROM THE STEAMHEAD WILL CAUSE SERIOUS BURNS, OR PHYSICAL INJURY.

WARNING

STEAM IS HOT! DO NOT TOUCH OR GO NEAR THE STEAMHEAD FROM THE TIME THE UNIT IS "ON", UP TO ONE HOUR AFTER IT HAS SHUT OFF. SEVERE BURN WILL OCCUR IF YOU COME IN CONTACT WITH THE STEAMHEAD OR STEAM EMITTING FROM THE STEAMHEAD.

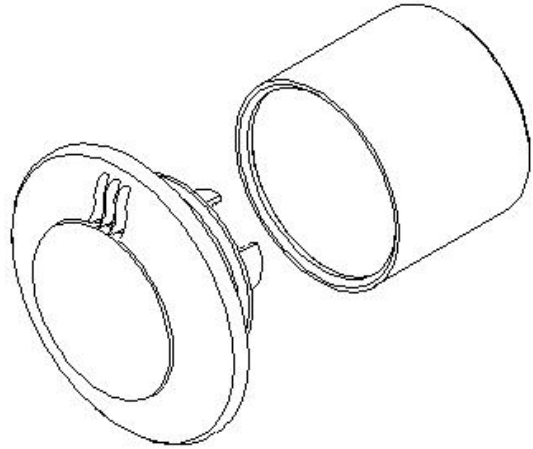
NoTouch Steamhead Installation

Parts Enclosed

- NoTouch Steamhead housing (included w/generator)

Material Needed

- Clear silicone
- 1/2" drop elbow
- ThermaSol NotTouch Steamhead (in desired finish)
- Other materials as required



Tools Needed

- 1" deep socket and ratchet
- 2-1/2" hole cutting tool
- Other tools as required

1. Drill a 2-1/2" diameter hole in the shower wall or wall above the bathtub rim for the steam outlet line (see Figure 4).

CAUTION: The Steamhead is hot and should not be located near a seat or bench! We recommend locating the Steamhead on the fixture wall.

**** Ensure that all Plumbing is Firmly Secured. ****

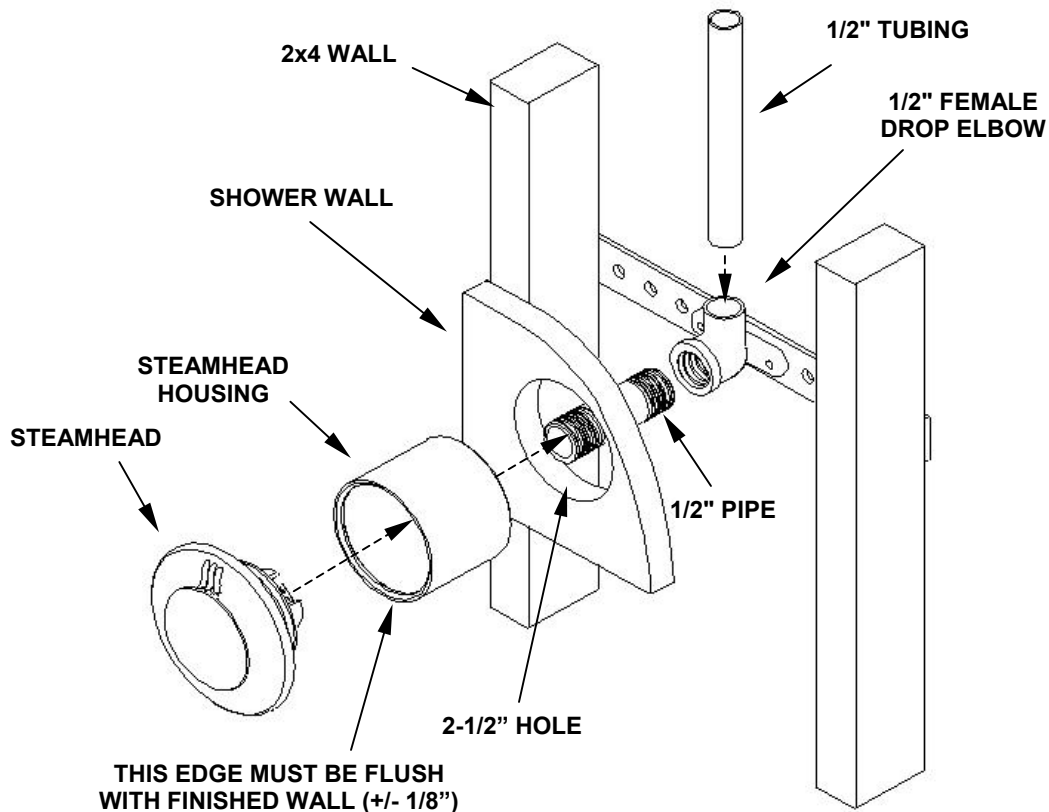


Figure 4

2. Connect a 1/2" NPT brass pipe or tubing to the steam outlet on the generator running the pipe to the 2-1/2" diameter hole in wall to connect with the Steamhead housing. Use Figure 4 as a guide. **It is very important that the pipe is firmly secured to the wall, so that when the Steamhead is installed it doesn't push the housing back into the wall. The steam line can run up, down, or horizontal; but cannot run down and then up.** If it does, a steam trap may be produced at the low point blocking the flow of steam. Install a 1/2" drop elbow on the end of the 1/2" pipe or tubing for the Steamhead housing. For all the connections, use Teflon tape/solder and do not over tighten fittings. **DO NOT USE PVC CEMENT.**

3. Final Installation when installing the Steamhead into the housing be sure that the aromatherapy fill channels are facing upwards see Figure 5. To ensure that no moisture gets behind the Steamhead and into the wall, place a generous bead of waterproof silicone around the Steamhead, use the machined groove (located on the back of the Steamhead) as a guide. Be sure that within the housing there isn't any debris, and the two O-rings are in place on the Steamhead. Slide the Steamhead into the housing until the Steamhead is tight against the finished wall. You may need to wipe away any excess silicone. Use Figure 5 as a reference to these steps.

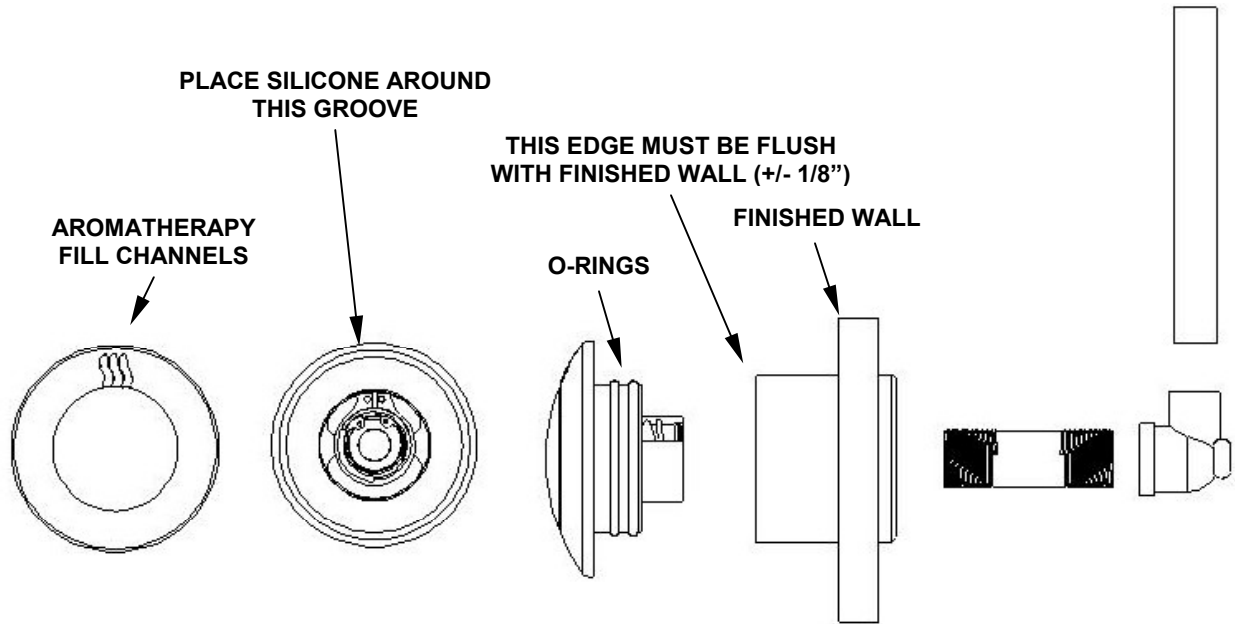


Figure 5

Warning: Avoid contact with Steamhead! It will burn you! Avoid direct contact with the steam coming out of the Steamhead! It is extremely hot and will burn you! Never put Aroma oil in the Steamhead when the unit is in the on position, or when steam is emitting from the Steamhead.

CONSUMER WARNING

WARNING

DO NOT USE THIS PRODUCT UNLESS YOU HAVE CONSULTED WITH YOUR DOCTOR AND RECEIVED WRITTEN PERMISSION TO DO SO. USE OF THIS PRODUCT MAY BE HAZARDOUS TO YOUR HEALTH.

WARNING

NEVER ATTEMPT TO FILL AROMA RESERVOIR ON THE STEAMHEAD WHEN UNIT IS IN THE ON POSITION. SEVERE BURNS WILL OCCUR.

WARNING

DO NOT USE THERMASOL AROMA THERAPY OILS OR SKIN CARE PRODUCTS OR ANY PRODUCT IN CONJUNCTION WITH YOUR THERMASOL UNIT WITHOUT CONSULTING WITH YOUR ALLERGIST OR DOCTOR BEFORE USE. THESE PRODUCTS MAY BE HAZARDOUS TO YOUR HEALTH.

WARNING

YOUR SHOWER MAY BE A SLIP AND FALL HAZARD CHECK WITH YOUR CONTRACTOR OR FLOORING MANUFACTURER REGARDING THE SAFE USE OF YOUR FLOORING IN A STEAM APPLICATION. SLIPPING AND FALLING INTO THE STEAMHEAD ITSELF OR INTO THE STREAM OF STEAM EMITTING FROM THE STEAMHEAD WILL CAUSE SERIOUS BURNS, OR PHYSICAL INJURY.

WARNING

STEAM IS HOT! DO NOT TOUCH OR GO NEAR THE STEAMHEAD FROM THE TIME THE UNIT IS "ON", UP TO ONE HOUR AFTER IT HAS SHUT OFF. SEVERE BURN WILL OCCUR IF YOU COME IN CONTACT WITH THE STEAMHEAD OR STEAM EMITTING FROM THE STEAMHEAD.

Electrical Installation

Note: All electrical wiring must be done per National/Local Electrical Codes.

**** ThermaSol requires that a licensed electrician perform all electrical work. ****

Note: USE COPPER WIRE ONLY.

Wire sizes recommended by NEC (2002 Version). Minimum wire temperature rating 90°C. Type THHN.

Generator Model	Phase	Wire Gauge	Breaker Size	Factory Sized Cu Ft MAX	AMP draw @ 240-VAC	kW	NEMA AC Receptacle
AMBPRO-150	1	10	30	84	28	6	10-30R
AMBPRO-300	1	8	40	140	37	8	10-50R
AMBPRO-450	1	8	50	240	46	10	10-50R
AMBPRO-575	1	6	60	395	55	12	N/A
AMBPRO-700	1	4	90	500	69	15	N/A
AMBPRO-900	1	8/8	50/50	650	46/46	20	N/A
AMBPRO-1200	1	6/6	60/60	850	55/55	24	N/A
AMBPRO-1500	1	4/4	80/80	1150	69/69	30	N/A

Electrical Questions? 800-776-0711 for Technical Support

Warning: Each generator should be wired to their own separate breaker.

1. Turn off all electricity to the working area at the main breaker panel!
2. Plug the attached power cord into the AC receptacle (AMBPRO-150 thru AMBPRO-450). On the AMBPRO-575 & AMBPRO-700, connect 230-VAC electrical lines to wires labeled 1 & 2 in electrical box on the generator and an approved ground to the green safety grounding wire (see Figure 6).
3. On AMBPRO-900 thru AMBPRO-1500 connect 230-VAC electrical lines to wires labeled 1,2 (breaker one) and 3,4 (breaker two) in electrical box on generator. Do not install a GFI (Ground Fault Interrupter) to this machine, (per article 210-8 in the National Electrical Code). This will prevent tripping (see Figure 7).

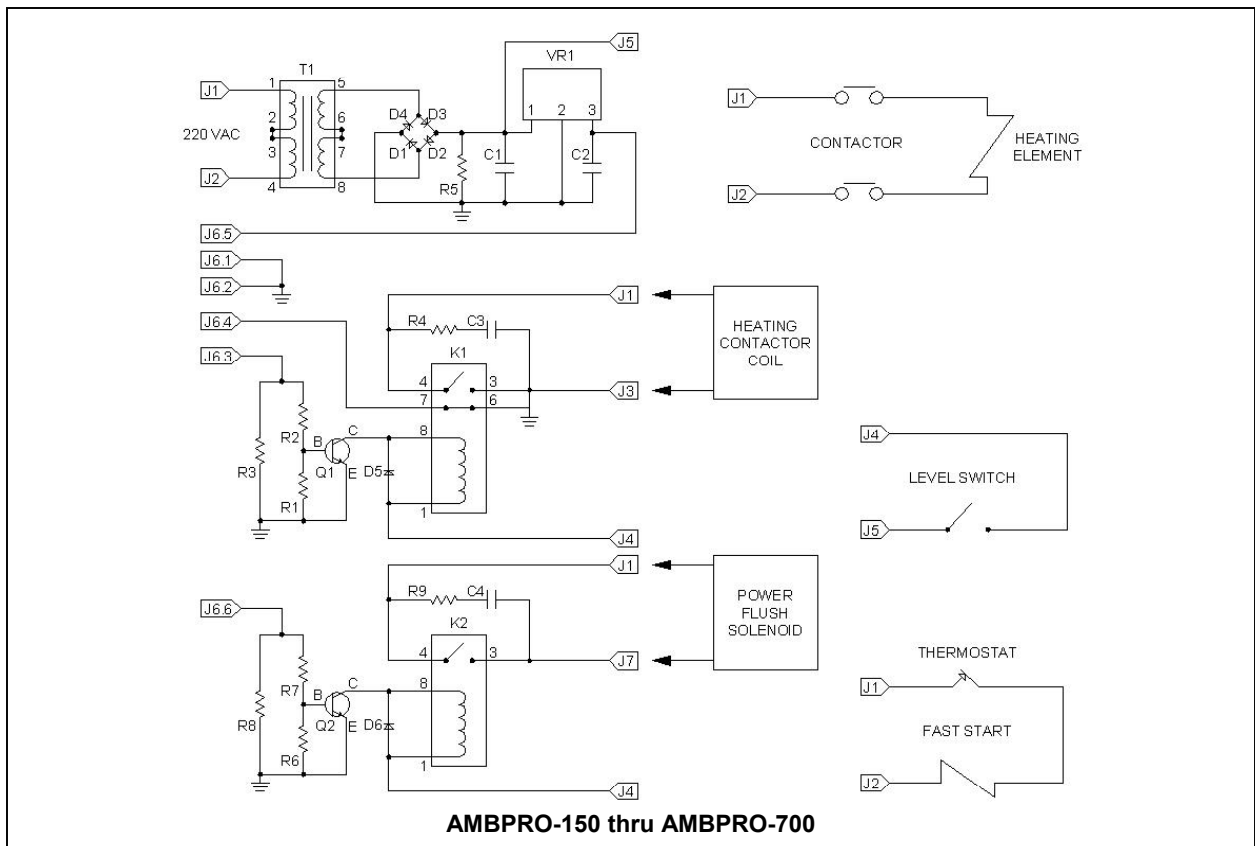


Figure 6

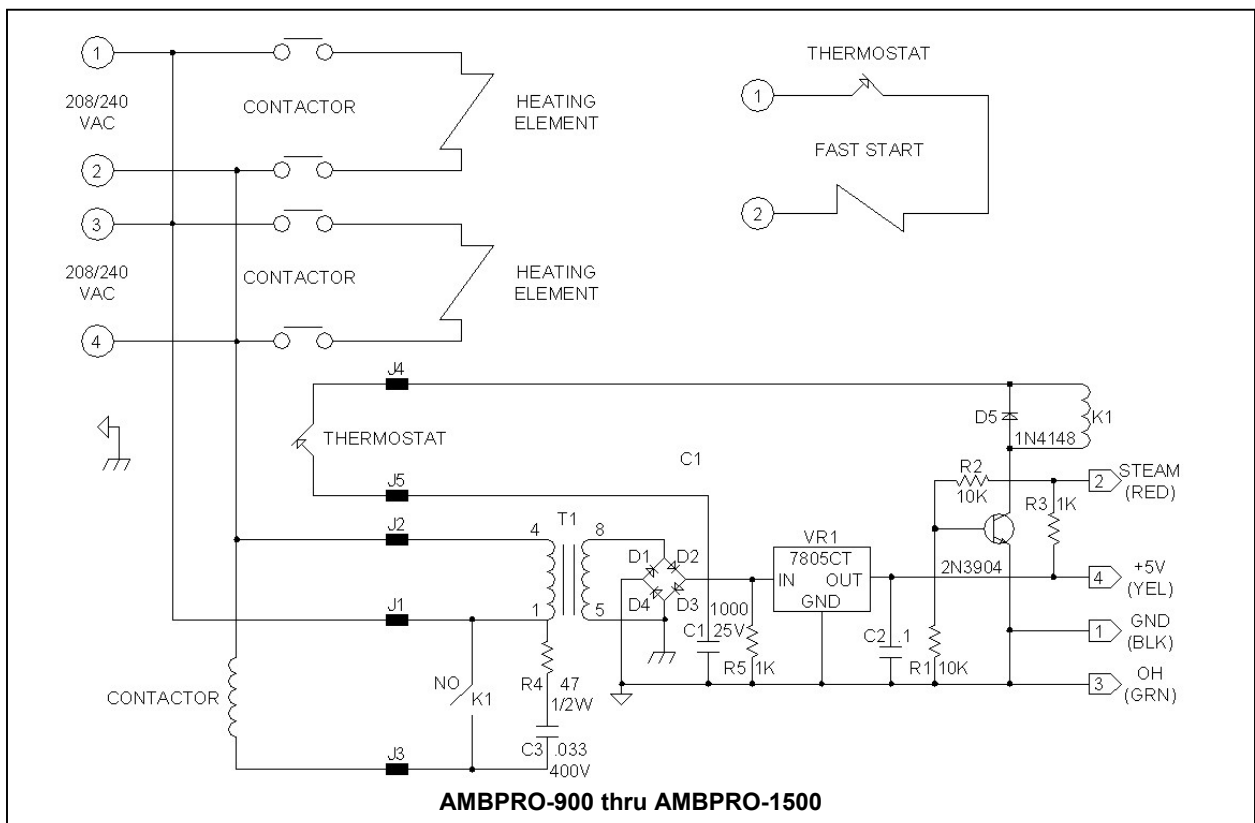


Figure 7

CONSUMER WARNING

WARNING

DO NOT USE THIS PRODUCT UNLESS YOU HAVE CONSULTED WITH YOUR DOCTOR AND RECEIVED WRITTEN PERMISSION TO DO SO. USE OF THIS PRODUCT MAY BE HAZARDOUS TO YOUR HEALTH.

WARNING

NEVER ATTEMPT TO FILL AROMA RESERVOIR ON THE STEAMHEAD WHEN UNIT IS IN THE ON POSITION. SEVERE BURNS WILL OCCUR.

WARNING

DO NOT USE THERMASOL AROMA THERAPY OILS OR SKIN CARE PRODUCTS OR ANY PRODUCT IN CONJUNCTION WITH YOUR THERMASOL UNIT WITHOUT CONSULTING WITH YOUR ALLERGIST OR DOCTOR BEFORE USE. THESE PRODUCTS MAY BE HAZARDOUS TO YOUR HEALTH.

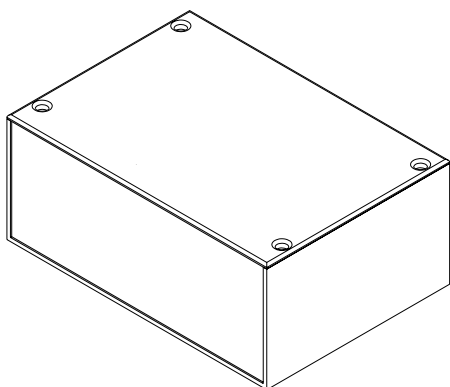
WARNING

YOUR SHOWER MAY BE A SLIP AND FALL HAZARD CHECK WITH YOUR CONTRACTOR OR FLOORING MANUFACTURER REGARDING THE SAFE USE OF YOUR FLOORING IN A STEAM APPLICATION. SLIPPING AND FALLING INTO THE STEAMHEAD ITSELF OR INTO THE STREAM OF STEAM EMITTING FROM THE STEAMHEAD WILL CAUSE SERIOUS BURNS, OR PHYSICAL INJURY.

WARNING

STEAM IS HOT! DO NOT TOUCH OR GO NEAR THE STEAMHEAD FROM THE TIME THE UNIT IS "ON", UP TO ONE HOUR AFTER IT HAS SHUT OFF. SEVERE BURN WILL OCCUR IF YOU COME IN CONTACT WITH THE STEAMHEAD OR STEAM EMITTING FROM THE STEAMHEAD.

Installing Ambiance Command Module



This Device complies with part 15 of the FCC rules. Operation is subject to the following two conditions:

- (1) This device may not cause harmful interference.
- (2) This device must accept any interference received, including interference that may cause undesired.

Parts Enclosed

- Ambiance Command Module (standard).
- Ambiance Remote Control with Remote/MIC Holder (standard).
- Installation Instructions.

**** The Ambiance Environment System can be ordered with one or any combination of the 4 options. Ambiance Speaker PCB Module is required to operate Phone and/or CD option. ****

Materials Needed

- 2-Conductors 18 AWG wire (length varies by installation).
- Solderless connectors and crimping tool.

1. **The Command Module location with respect to the Remote Control is important for optimal operation!** Due to FCC regulations on this unit and low power transmission of the RF (radio frequency) signals for compliance with FCC rules, it is highly recommended that the Command Module be placed as close as physically possible to the area where the Remote will be in use. **Do not locate** the Command Module in a place that is obstructed by any metal, marble tile, slate tile, mirrors or materials that would block the radio transmission path between the Command Module and the Remote in use (see Figure 8 for typical placement of Command Module). Also, to avoid radio frequency interference with operation of the Ambiance Environment System, do not locate the Command Module near any devices that operate on or near 900 MHz frequency range (i.e. cell phones, cordless phones, garage door openers, etc.).
2. The Command Module may be installed up to 50 feet away from the shower area without any of the obstructions in the RF path as described previously.
3. If you have the 6 CD Changer option, you must locate the CD Changer within 15 feet of the Command Module (due to length of the CD Changer control cable). The CD Changer is powered by an on-board power supply in the Command Module.
4. If you have the MoodLight option, the MoodLight Power Supply must be located within 5 feet of the Command Module and also be powered with a standard 110-VAC outlet.
5. Remove the top cover of the Command Module by unscrewing the four screws located at each corner on top of Command Module.

6. With no power connected to the Command Module, install the CD Changer PCB Module, MoodLight PCB Module and Phone PCB Module in the slots on the motherboard in the (options ordered will determine which boards you will be required to install). Each module can be installed in any of the slots along the back wall of the motherboard as long as the PCB Module will fit. **IT IS VERY IMPORTANT** that the pins of the PCB Modules are lined up properly and each pin fits into each socket on the motherboard or the system may be damaged (see Figure 9). The Steam Control PCB Module and Proportional Heating PCB Module will already be pre-installed in the Command Module.

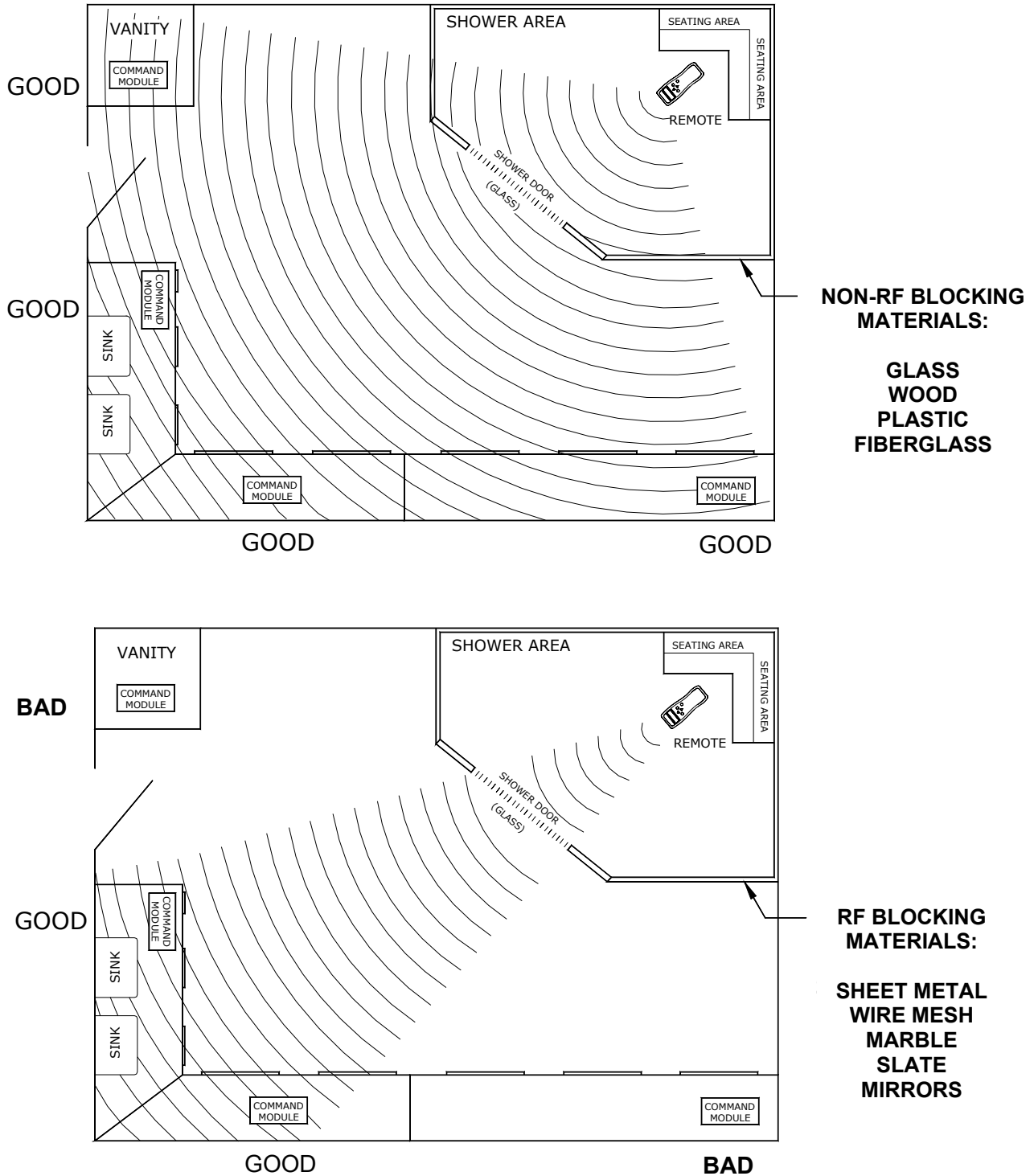


Figure 8

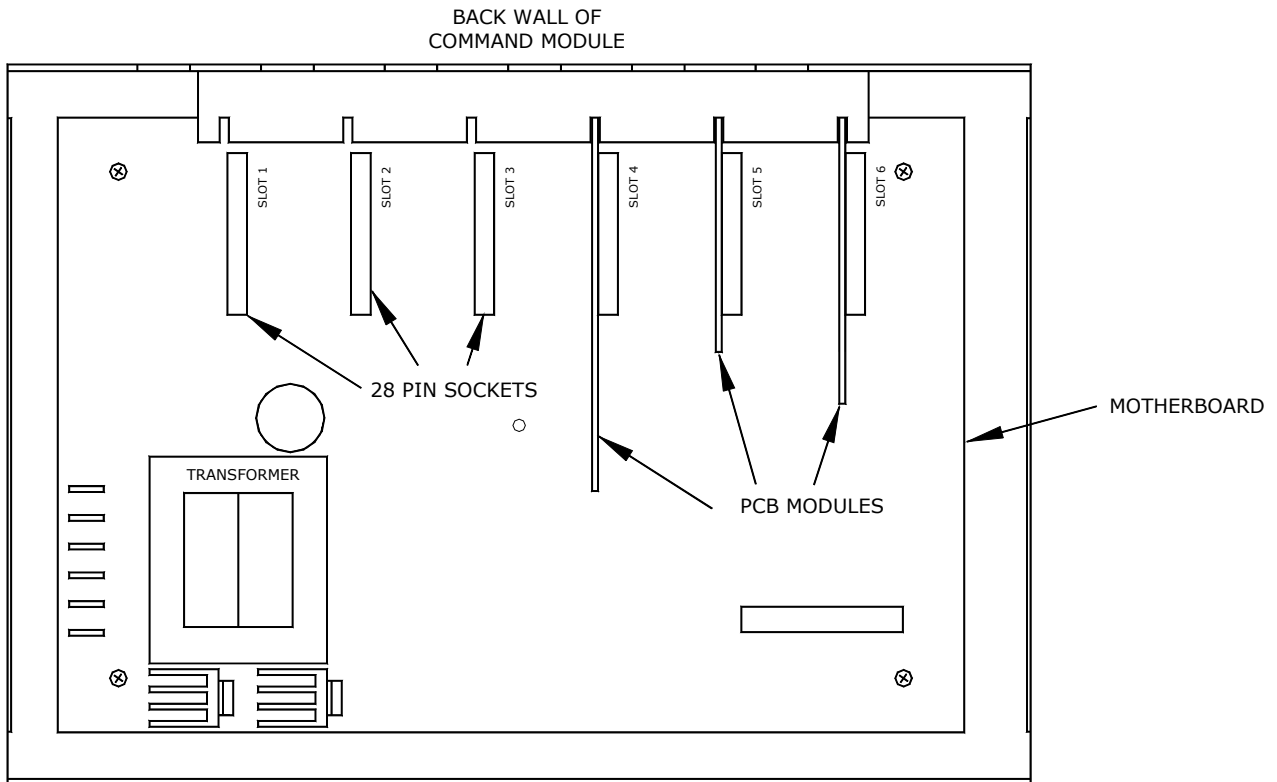


Figure 9

Command Module with top cover removed to install PCB Modules.

7. Install 18 AWG wire for MoodLight from the Command Module location to the location where the MoodLight will be placed (if MoodLight option is used). See Figure 12 for wiring detail. Refer to MoodLight Installation Instructions for installing the MoodLight fixture.
8. Install 18 AWG wire for speakers from the Command Module to the location where the speakers will be placed (if Phone and/or CD Changer option is used). See Figure 12 for wiring detail. Refer to Installation Instructions: Speakers – CD Changer – Phone for installing these components.
9. Locate a mounting area for the Remote/MIC holder within the shower area. Holder MUST be within the shower area since components within the holder regulate the temperature. The holder should be mounted at head level of the tallest person in a seated position and away from the steam head so that a false temperature reading is not given. Drill three holes in the wall where the Remote Holder is to be mounted (see Figure 10 for drilling dimensions). Run cables labeled “TEMP SENSOR” and “PHONE MIC” hanging from the remote holder to the Command Module location. You will need to supply 18 AWG wire to extend the Temp Sensor wires through the 5/16” hole just drilled to the labeled wires coming out of the Command Module. You will also need to supply a 3.5mm microphone cable extension(s) to the Command Module if you have purchased the phone option or intend to. Place wall anchors in the two 5/16” holes. Place screws into anchors and tighten down leaving enough room to slide remote holder key slots over the screws to hold it in place. Place a generous amount of water proof/water based silicone around the hole on the back of remote holder where the wires are coming out to prevent moisture from getting into the wall. Slide the holder onto the two anchors.

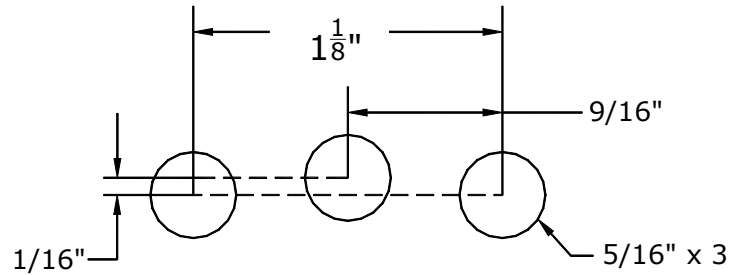
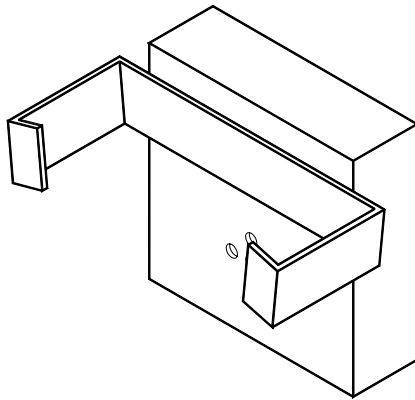


Figure 10

**** Insure that the Holder is NOT located directly above the Steamhead or in contact with running water (example: shower head). ****

10. Plug the 50 foot cable supplied with the steam generator into the steam generator. Run the other end of the command cable to the Command Module. **DO NOT PLUG IT INTO THE STEAM BOARD YET.**
11. Plug the Temperature Sensor cable into the steam board. Plug the cable from the generator into the steam board (see Figure 11).

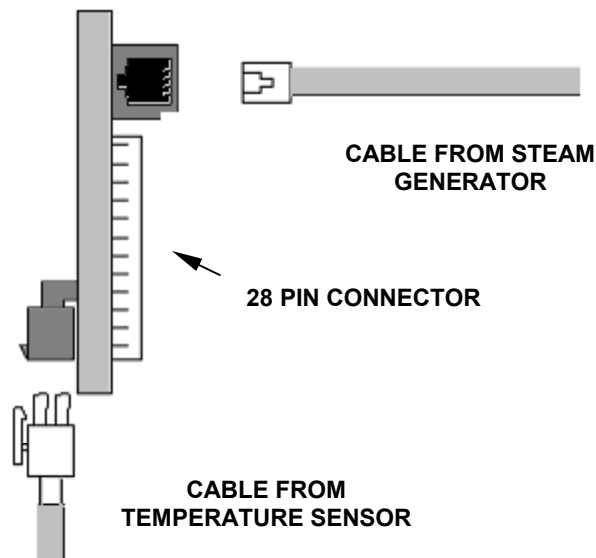


Figure 11

ENSURE THAT ALL POWER IS TURNED OFF TO THE WORK AREA!!!

12. Connect the various components of the Ambiance Pro System as shown in the following wiring diagram see Figure 12. All wiring for the system exits out the holes in the back of the Command Module.
13. Place the cover back onto the Command Module and tighten down the four screws. Do not over tighten the screws.

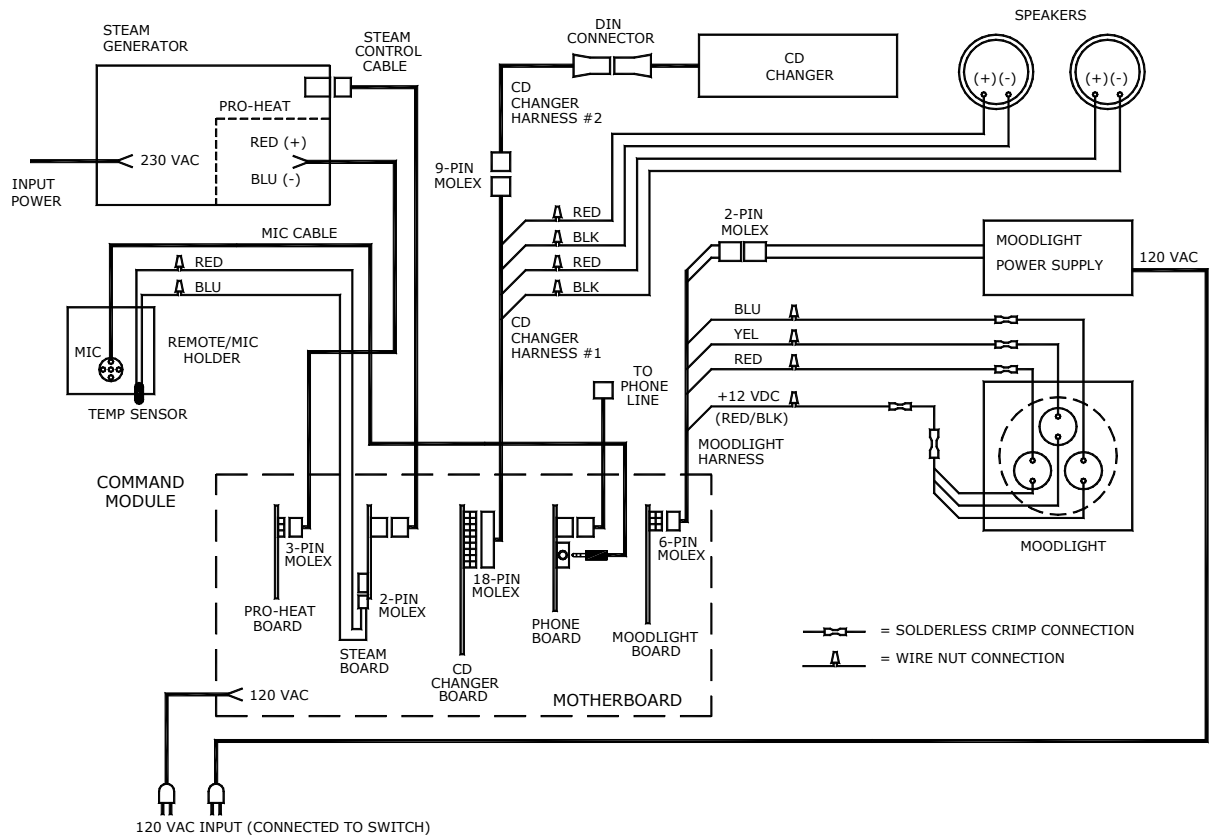


Figure 12

14. Locate the power cable coming from the back wall of the Command Module. **Connect the power cable to a 110-VAC outlet that is switched on/off by a conveniently located wall mount switch that will operate only the Ambiance Command Module System** (see Figure 13). Due to the variety of switches, refer to the instructions of the switch to ensure proper wiring. Make sure that the Command Module is the only device ran by the power switch. The MoodLight Power Supply could also be connected to the switched outlet.

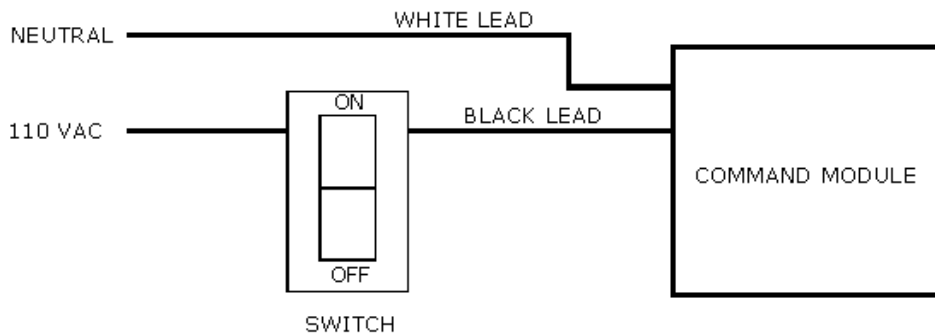


Figure 13

DO NOT TURN THE POWER ON UNTIL ALL INSTALLATION STEPS ARE COMPLETE

15. Carefully read Remote operation instructions. Plug in the 110-VAC power cords for the Command Module and MoodLight Power Supply. Once you read the instructions, power on the Command Module. Refer back to instructions as a guide through the Remote menus.

Proportional Heat Installation Instructions

Material Needed

- 2-Conductors 18 AWG wire (length varies by installation)
- Solderless connectors and crimping tool

1. Disconnect Command Module from 110-VAC power source.
2. Connect 2-Conductor 18 AWG wire from the Pro-Heat PCB Module in the Command Module to the lines coming out of the stacking box that is mounted on top of the steam generator. The wires are labeled "PRO-HEAT" on both ends (see Figure 14).
3. Be sure that the positive wire (red) from the Command Module is connected to the positive (red) wire at the generator or permanent damage will result.
4. Connect Command Module to 110-VAC power source.

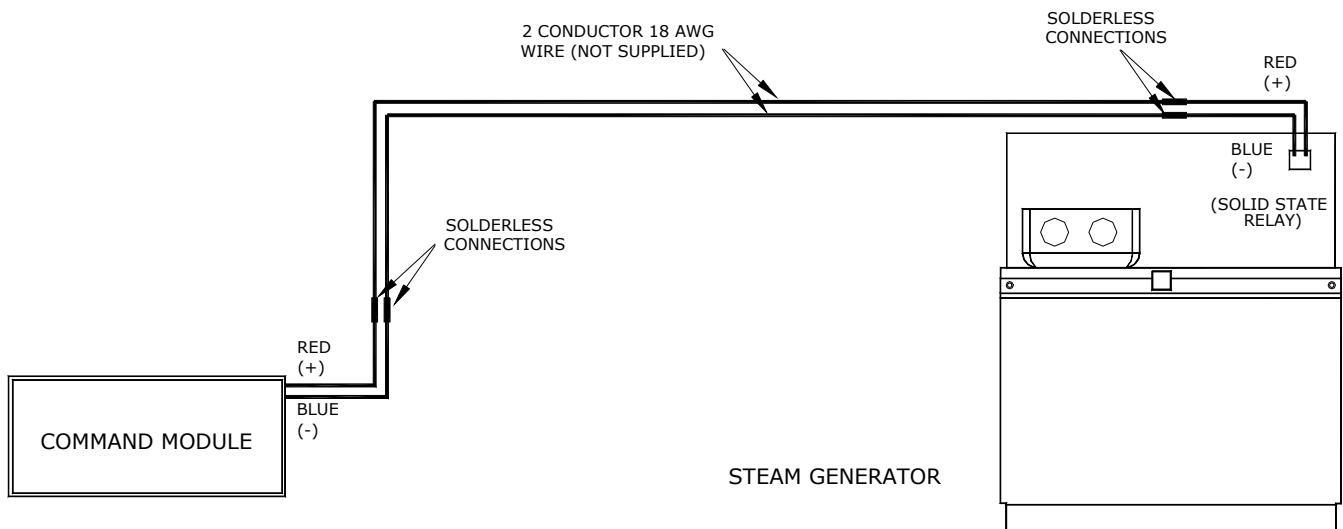


Figure 14

Powerflushing Your Steam Generator

1. Locate the powerflush menu on the remote control by pressing the up/down arrows until the LCD says, "POWERFLUSH-PRESS SELECT TO START". The LCD will Display POWERFLUSHING..." and the time left will display Once you have selected to powerflush exit the shower area until the powerflush is complete roughly 45 minutes for complete cycle.
2. **DO NOT TURN YOUR CONTROL OFF**; your remote will shut down automatic after the powerflush cycle is finished.

**** ThermaSol recommends one powerflush cycle after every fifty uses. ****

Warning: IT IS IMPORTANT THAT NO ONE BE INSIDE THE SHOWER ENCLOSURE DURING THE POWERFLUSH CLEANING CYCLE. IT IS ALSO IMPORTANT THAT THE ENCLOSURE DOOR BE CLOSED DURING THIS CYCLE.

Warning: Exit shower area once the powerflush is started, hot water from Steamhead can burn you. Keep the steam door on the enclosure closed during this cycle.

Headquarters & Technical Support

2255 Union Place, Simi Valley, CA 93065 – (800) 776-0711
Mon – Thur 7:00 – 5:00, Fri 8:00 – 12:00 PST

Eastern Sales Office

26 Industrial Avenue, Fairview, NJ 07022 – (800) 631-1601
Mon – Thur 7:00 – 5:00, Fri 8:00 – 12:00 EST
www.thermasol.com