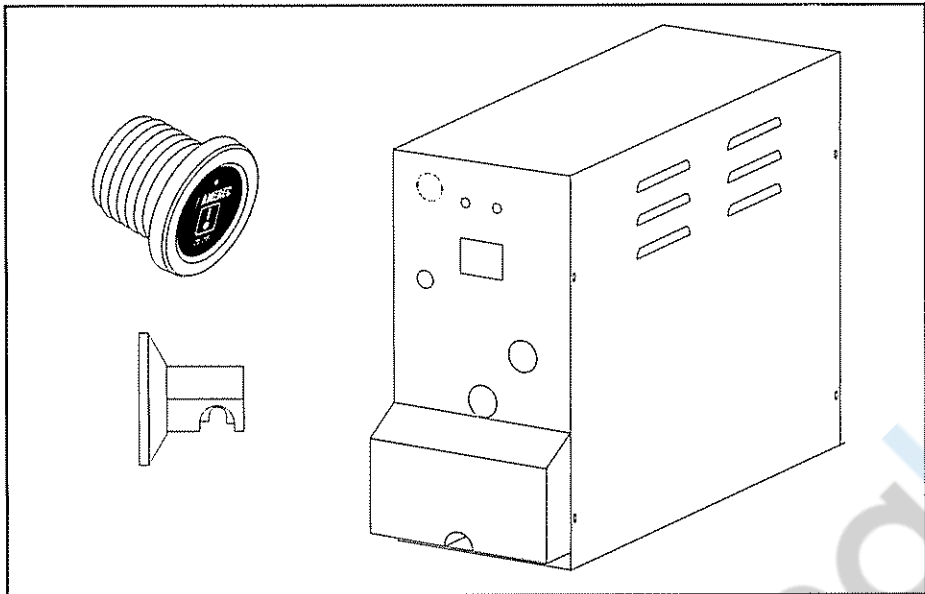




AMEREC™

AR Series Installation and Service Instructions



AMEREC STEAMBATH GENERATORS (MODELS: AR4, AR5, AR6, AR7, AR8.5, AR10) SAVE THESE INSTRUCTIONS

READ ALL INSTRUCTIONS CAREFULLY BEFORE INSTALLATION.

**POST "STEAMBATH INSTRUCTIONS" LABEL OUTSIDE
STEAMBATH FOR SAFETY WARNINGS.**

SECTION 1: GENERAL INFORMATION

AMEREC steam generators are listed by Underwriters Laboratories. The steam generators come assembled and ready for installation. Check that the size and rating of the generator is suitable for your application, Refer to Steam Room Construction and Generator Sizing Guide (AMEREC document 4211-33)

IMPORTANT

An exhaust fan installed outside the steam room is strongly recommended to remove excess steam from the bathroom or shower area.

WARNING

Electrical grounding is required on all AMEREC steambath generators.

All electrical supplies should be disconnected when servicing generator.

All wiring must be installed by a licensed electrical contractor in accordance with local and national codes.

All plumbing must be installed by a licensed plumber in accordance with all applicable local and national codes.

AR series generators are for indoor use only.

AR series generators are not for space heating purposes.

Be certain that steambath enclosures are properly sealed to avoid water damage from escaping steam. It is recommended that 100% silicone caulk be used to seal all pipes and fittings. Steam must be prevented from escaping into the wall cavity.

Never shut off the water to a steam generator that is in use.

Do not touch the steam head or trim during operation as they are hot. Stay at least 12 inches from the hot steam escaping from the steam head.



DIAGRAM 1

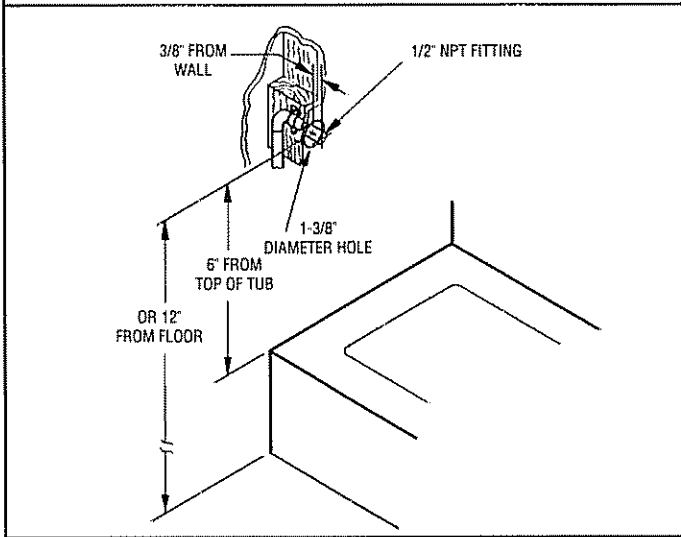


DIAGRAM 2

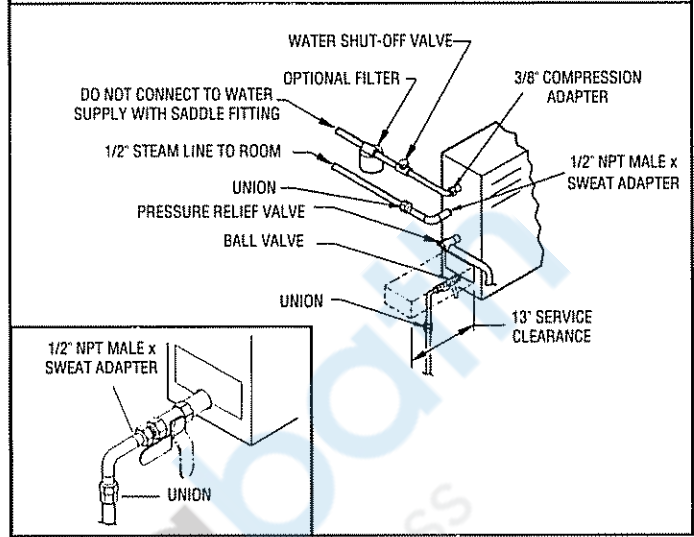
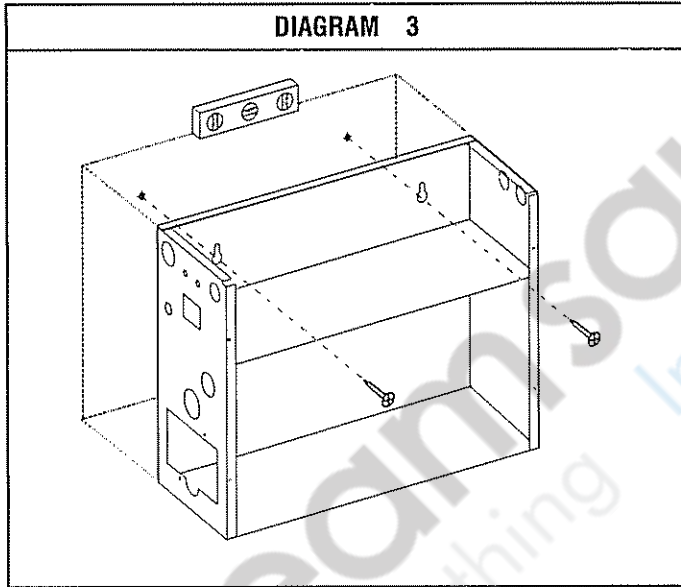


DIAGRAM 3



SECTION 2: SELECT MOUNTING LOCATION

SEE DIAGRAMS 1 & 2 ON PAGE 2

The AMEREC steam generator has been carefully designed for ease of installation. It can be hung on a wall or sit on its base. The best mounting location will satisfy all or most of the following:

1. The steam line should slope to allow condensation to drain. Condensation should drain into the steam room.
2. The steam line should be less than twenty (20) feet long. Ten (10) feet is preferred. Steam lines over twenty feet long should be insulated.
3. The mounting location should minimize the number of bends and elbows in the steam line.
4. The steam line should enter the steam room at least

12" above the floor or at least 6" above a tub rim or ledge. See diagram 1.

5. The generator should be installed in a dry, well ventilated area. Suggested locations are under a vanity, in a closet, attic, crawl space or basement.
6. The location should provide clearance for service and element removal. See diagram 2.
7. The location should allow the Generator's tank to be drained on a routine basis.
8. The generator must be mounted in a minimum 7 cubic foot space.

SECTION 3: MOUNTING THE GENERATOR

SEE DIAGRAM 3 ON PAGE 2

Wall Mounting:

1. Note the location of the mounting holes on the back of the generator. The screws must set directly into studs or equivalent supports. Drill pilot holes on 16" centers and install the two #10 1-1/2 inch screws provided.

2. Carefully hang the generator on the two screws. Tighten the screws. Replace the front cover. Secure the front cover with six (6) screws.

Floor Mounting:

1. In general the width of the unit allows it to sit on a shelf, across the ceiling joists or on a floor. The generator must be restrained from moving. Normally the piping will provide adequate support. If not, additional support must be provided.

2. All floor installed generators must have provision for routine draining of the tank.

SECTION 4: PLUMBING INSTRUCTIONS

SEE DIAGRAM 2 ON PAGE 2

All plumbing shall be installed by a licensed plumber and conform with local & national codes.

Materials (locally available):

- 3/8" O.D. copper tube for the water supply to the generator.
- 3/8" water supply shut-off valve
- 3/8" supply valve housing and filter (optional depending on local water conditions).
- 3/8" O.D. compression to 3/8" male NPT adapter
- 1/2" copper sweat unions (2)
- 1/2" copper pipe for the tank drain
- 1/2" copper pipe for the steam line.
- 1/2" copper pipe and 1/2" male NPT sweat adapter's (5) for the steam line between the generator and the steam room and the drain line between generator and drain.
- 3/4" copper pipe, fittings, and a sweat union for the Pressure Relief Valve drain
- Tube DAP 100% silicone caulk
- Rectorseal No. 5 pipe compound

1. INSTALL WATER LINE

Remove the thread protector from the WATER INLET. Run 3/8 inch copper tube between the nearest cold water line and the WATER INLET fitting on the generator. Locate a shut-off valve near the generator. Connect this line to the generator with a 3/8" compression adapter. When tightening this fitting always use two wrenches so there will be no strain on the water inlet valve.

IMPORTANT

If the generator is mounted in a place difficult for the home owner to access, the water supply shut-off valve should be located where it can be quickly accessed in an emergency.

IMPORTANT

Do not use a saddle valve or saddle fitting for the water shut-off valve. Flush water supply line before final hookup.

WARNING

Do not mount outdoors. Protect from freezing.

Unit must be located as to allow access for service.

The generator will not operate properly, unless it is mounted level with the arrows pointed up.

DIAGRAM 4

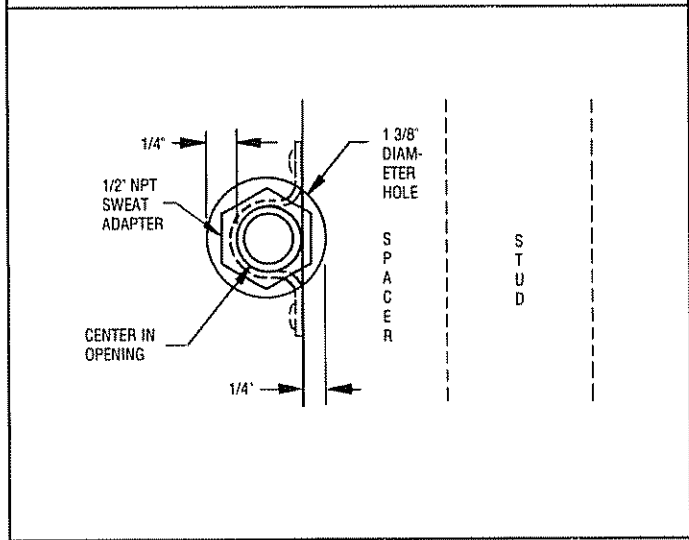


DIAGRAM 5

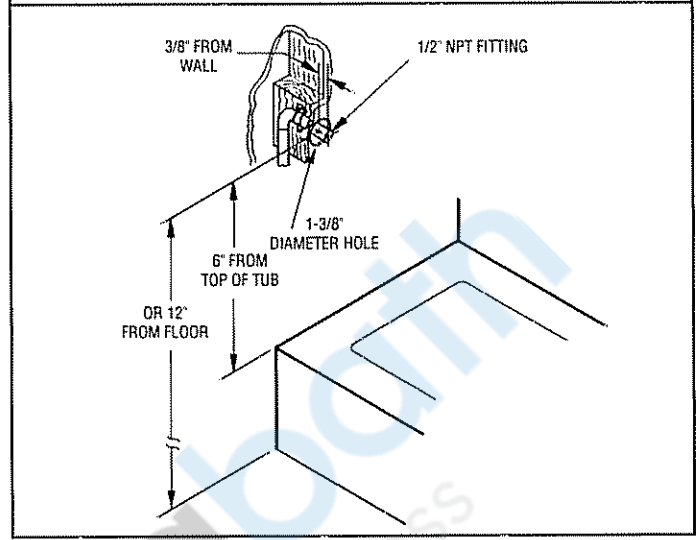


DIAGRAM 6

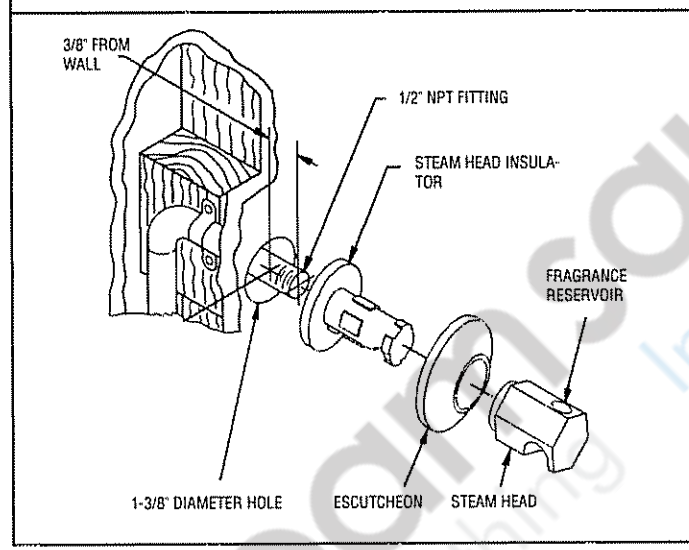
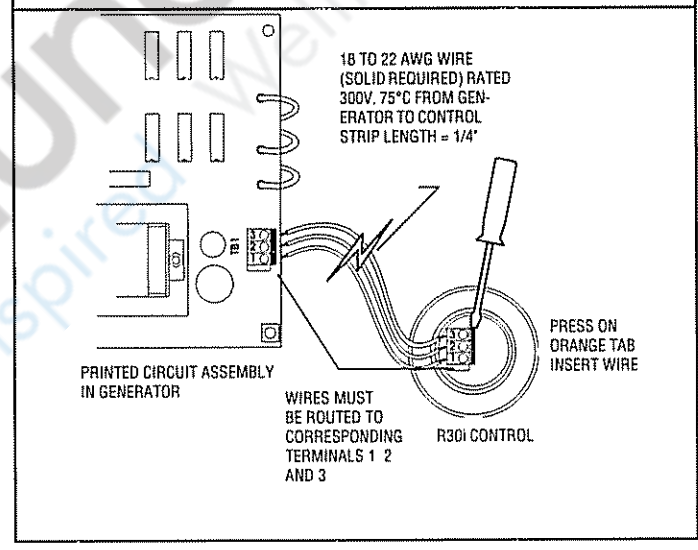


DIAGRAM 7



ELECTRICAL INFORMATION CHART

STEAM GENERATOR MODEL NO	AC VOLTAGE	PHASE	NOMINAL WATTAGE		NOMINAL AMPERAGE		UL RECOMMENDED PROTECTIVE DEVICE		RECOMMENDED MINIMUM COPPER SUPPLY WIRE*
			@208	@240	@208	@240	@208	@240	
AR4	208 / 240	1	3000	4000	14.5	17.0	20	25	10-2 W/G
AR5	208 / 240	1	3750	5000	18.0	21.0	25	30	10-2 W/G
AR6	208 / 240	1	4500	6000	21.7	25.0	30	35	8-2 W/G
AR7	208 / 240	1	5250	7000	25.3	29.0	35	40	8-2 W/G
AR8.5	208 / 240	1	6375	8500	30.7	35.5	45	50	6-2 W/G
AR10	208 / 240	1	7500	10000	36.1	41.5	50	60	6-2 W/G

* Observe wire sizes for 208 VAC installations. 208 VAC wired units must be supplied with a minimum of 195 VAC while operating (heating). Unit is rated for copper wire only. All wire is UL approved 300V 75 deg C minimum unless otherwise specified.

SECTION 5: PLUMBING INSTRUCTIONS (continued)

SEE DIAGRAM 4, 5 & 6 ON PAGE 4 AND DIAGRAMS 1 & 2 ON PAGE 2.

2. INSTALL STEAM LINE:

A. At the generator: Install a 1/2" male NPT sweat adapter directly into the tank. Install a 1/2" union in the steam line.

B. Run the 1/2" copper steam line from the generator to the steam room. Refer to SECTION 2: MOUNTING LOCATION.

C. At the steam room: Drill/prepare a 1-3/8" hole for the steam line entry. Center the 1/2" copper steam pipe in the 1-3/8" hole. See diagram 4.

- Terminate the steam line with a 1/2" NPT male adapter. Stub the line out into the room 3/8" from the finished surface.
- Secure the steam line to a structural member.

IMPORTANT

If the steam line is in an area where the temperature will be below 40 F or if the line is more than 20 feet long, best results can be obtained by insulating the steam pipe.

3. INSTALL STEAM HEAD INSULATOR: Apply silicone caulk to the finished wall side of the steam head insulator and screw on hand tight until it is flush with the wall with the opening pointing down. If a hand tight fit does not align with the opening pointing down, use teflon tape on the steam line threads to adjust the fit.

4. INSTALL STEAM HEAD AND ESCUTCHEON: Place the escutcheon over the steam head insulator then slide the steam head on until the escutcheon rests firmly against the finished wall. Tighten the hex head screw underneath the steam head to secure it in place with the allen wrench provided. The steam head should be level with its fragrance reservoir at the top. See diagram 6.

IMPORTANT

Check all of the standard fixtures in the steam room. All fixture penetrations must be sealed with 100% silicon caulk to avoid moisture damage within walls.

5. INSTALL PRESSURE RELIEF VALVE

Install the pressure relief valve into its port on the generator. The pressure relief valve outlet must drain in accordance with local and national codes.

6. INSTALL DRAIN VALVE

Attach the ball valve to the nipple of the drain outlet. Install a 1/2" union. Run a 1/2" copper drain line to a gravity flow drain. Do not run the drain uphill. The drain must be connected in accordance with local and national codes.

SECTION 6: WIRING INSTRUCTIONS

SEE ELECTRICAL INFORMATION CHART ON PAGE 4 & DIAGRAM 14 ON PAGE 8.

Materials (locally available)

- Supply: circuit wire as required by Electrical Information Chart and local and national codes.
- U/L approved 18 to 22 AWG, 300 volt, 75 deg. C control wire for control circuit. (Solid required)
- 3/4" Strain relief for supply wire.
- Circuit breaker per electrical information chart.

1. Size wire for your generator as indicated by the Electrical Information Chart. Use correct size and type to meet electrical codes. Connect the generator to a dedicated circuit breaker. A GFCI device is not required by UL. One may be installed if required by local codes or the owner. A GFCI will tend to nuisance trip due to heater element aging.

A. Remove the generator front cover. Route the copper supply wire and appropriate strain relief through the hole marked POWER ENTRY. Connect the ground to the ground lug (green screw).

B. Connect the supply wires to terminals marked L1 and L2.

2. CONTROL CABLE ROUGH-IN:

The low voltage control can be mounted up to 75 feet from the generator either inside or outside the steam room. Also, see # 5 Optional Secondary Generator Control. String (3) 18 to 22 AWG solid wires from the control location through 1/2" holes in the wall studs or ceiling joists to the generator. Note: 1) Do not staple through or damage wires, 2) Label or color code wires

for proper TB1 to R30i orientation. See diagram 7.

3. Route control wires through the generator CONTROL WIRING ENTRY and appropriate strain relief. Connect 3 wires to terminal block TB-1 on the printed circuit assembly, as shown in diagram 7.

4. INSTALL GENERATOR CONTROL (R30i):

The low voltage control can be mounted directly to a finished wall either inside or outside the steam room. Using a 1-3/4" hole saw, drill a hole in the finished wall where the control is to be mounted (the control wires should already be roughed-in to this location). Locate the control wires, pull them out through the 1-3/4" hole and plug the 3 wires into the connector on the back of the control housing, as shown in diagram 8. Run a bead of 100% silicone caulk around the perimeter on the back of the control housing. See diagram 14. Insert the control into the wall cavity.

5. OPTIONAL SECONDARY GENERATOR CONTROL:

As an option, a second R30i control can be installed with an AR generator to provide ON/OFF control both inside and outside the steam room. The second control should be installed as described in paragraphs 2 & 4, with the second control wire plugged into the same connector TB1 connector as the first R30i control.

WARNING

Do not put a shut off valve in the steam line. Avoid traps and valleys where water could collect and cause a steam blockage. The hot steam line must be insulated against user contact.

Centering the steam pipe is critical in rooms made of plastic, acrylic, resin, fiberglass or similar materials. Allowing the steam pipe to touch materials not rated 212°F or higher will result in damage to these materials.

Do not install the steam head near bench(es) or where steam may spray or where condensation will drip on the user as this will present a scald hazard.

The steam pipe entry and any other entry into the steam room must be caulked to avoid damage caused by steam leakage into the wall.

The pressure relief valve must be installed in such a fashion that the risk of scalding is reduced to a minimum. Draining the pressure relief valve into the steam room may present a scald hazard.

Draining the tank into the steam room may present a scald hazard and/or damage materials used to construct the steam room.

Electrical shock hazard - Disconnect all electrical power before servicing the generator. All wiring should be installed by a licensed electrical contractor in accordance with local and national codes.

The generator is designed for hookup with copper wire only.

Electrical Shock Hazard! Wire the timer exactly as described. Do not connect any additional wiring or power supplies to the timer or timer terminals in the generator.

DIAGRAM 8

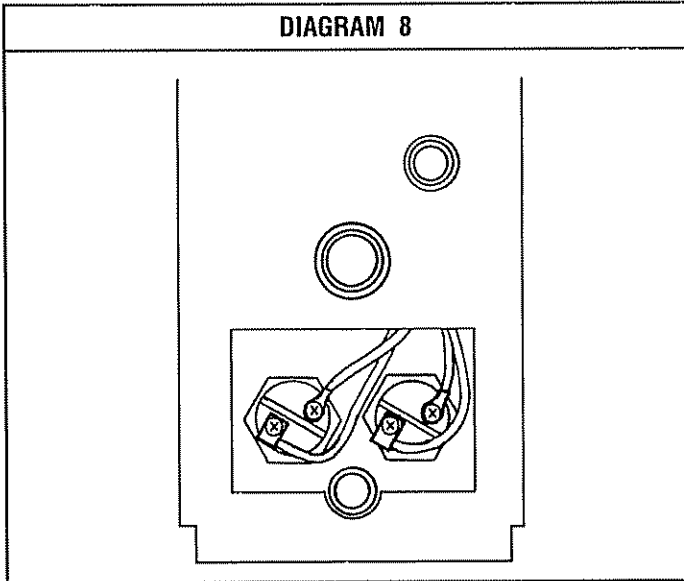


DIAGRAM 9

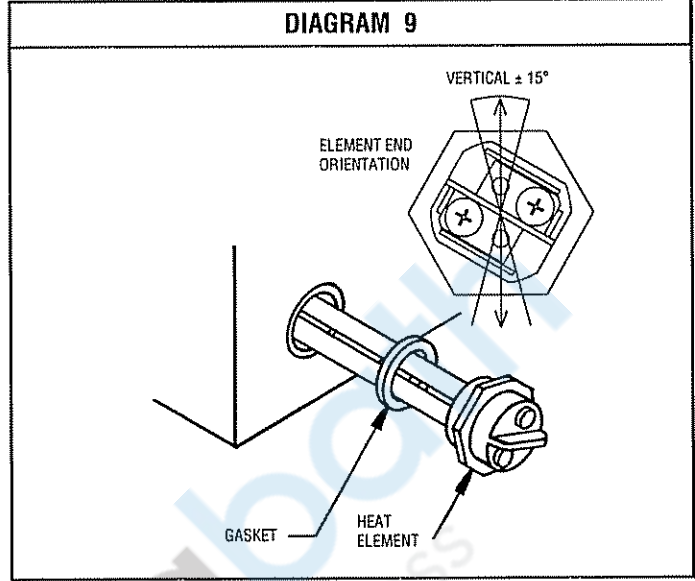


DIAGRAM 10

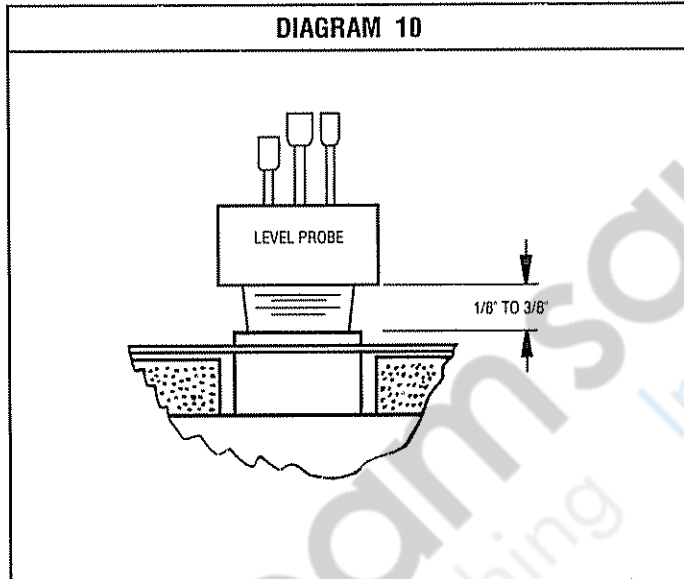


DIAGRAM 11

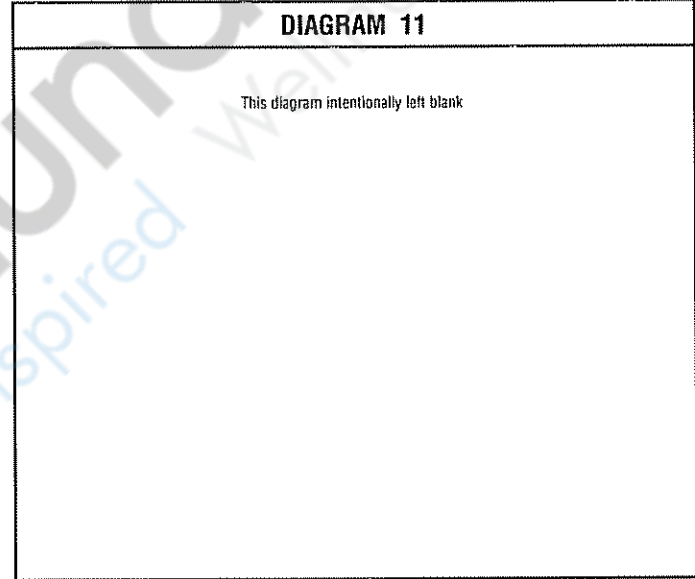


DIAGRAM 12

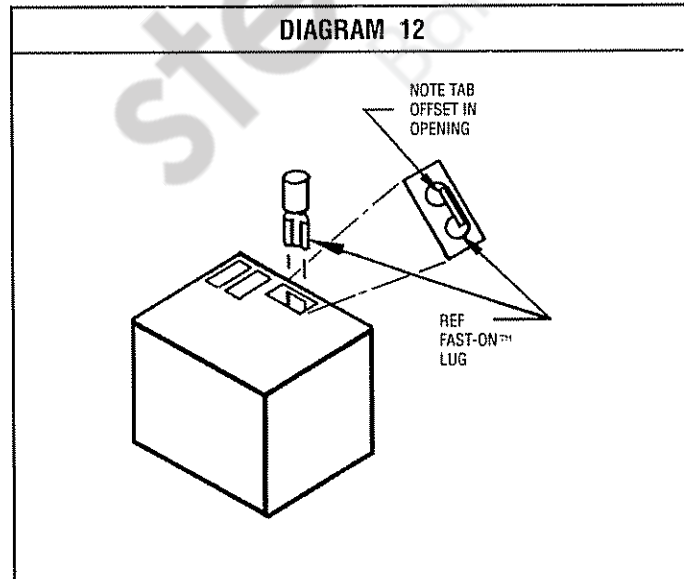
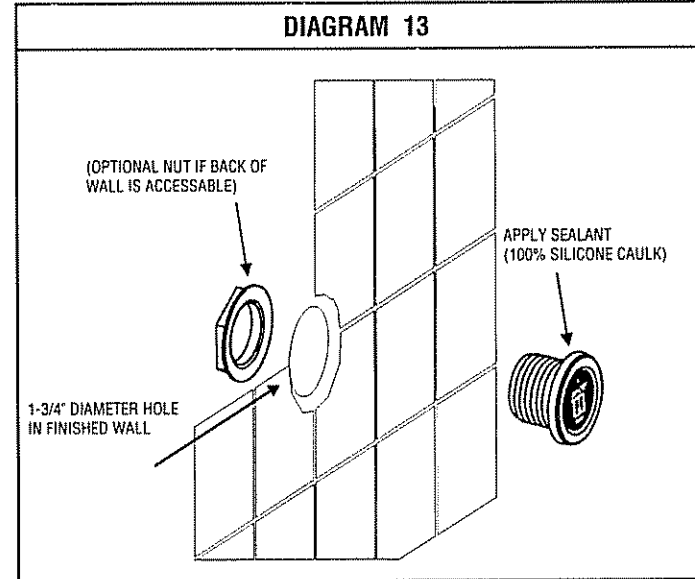


DIAGRAM 13



SECTION 7: OPERATIONAL TEST

1. Assure power and water are ON
2. Press the ON/OFF The control should light up
3. Allow 10 minutes for the steam to start
4. Once the steam starts, press the ON/OFF The steam should stop; there shouldn't be any water flow The control should not be lit up
5. Press the ON/OFF The control should light up
6. Within one minute the unit should again produce steam It should call for water once every two minutes or more depending upon its power rating

It's normal for the flow of steam out the steam head to slow for up to 10 seconds each time the unit calls for water.

7. The unit will shut down automatically in 30 minutes When the time runs out the steam will stop and there should not be any water flow. The control should not be lit.
8. If the unit does not operate as described above, refer to SECTION 9: TROUBLESHOOTING GUIDE.

THE UNIT IS NOW READY FOR OPERATION.

SECTION 8: SERVICE

SEE ELECTRICAL INFORMATION CHART ON PAGE 4 & DIAGRAM 14 ON PAGE 8.

1. DESCRIPTION OF AMEREC AR SERIES GENERATOR

The AR series generator is the latest in modern steam generator design. The AR steam generator uses a printed circuit assembly to monitor and control all the equipment needed to produce steam. The system has three functions: a timer that controls the length of the steam bath; the operating water level is monitored and controlled; and the heating elements are protected by a minimum water level sensor. The generator is compartmentalized into wiring, control and tank sections. The elements can be removed through an access opening on the service side.

2. MAINTENANCE OF AR SERIES GENERATORS

Maintenance of the AR generator includes flushing the unit periodically (see SECTION 2 of OWNERS MANUAL) and visually inspecting for water leaks. Whenever the generator is opened all wiring should be inspected for any signs of overheating. All electrical connections should be checked for tightness.

3. REPAIR OF AR SERIES GENERATORS

A. ELEMENT REPLACEMENT: Disconnect power from the unit. Drain the tank. Open the front and HEATING ELEMENT ACCESS covers. Note the wire connections. See diagram 8. Remove the element wires. Using a hot water element socket, remove the element. To install a new element, mount a new element gasket on the element. Clean the element port and add a light coat of Rectorseal No. 5 pipe thread compound to the threads. Insert and hand tighten the element-gasket combination. Notice the element end orientation as shown in diagram 9. Tighten the element until the orientation is the same as diagram 9, $\pm 15^\circ$. The gasket should be set and tight but not deformed to a rounded or bulbous appearance. If the drain valve was removed reinstall it. Reconnect the wiring. Test the unit per SECTION 7: OPERATIONAL TEST. Check for leaks at the element. Replace the front cover and the HEATING ELEMENT ACCESS cover.

B. PRINTED CIRCUIT REPLACEMENT: Disconnect power from the unit. Remove the front cover. Note where the blue wire is connected to the triple pronged water level probe. Disconnect all three wires from the water level probe. A u-clip on the shelf is retaining these three wires. Slightly bend this u-clip to free the three wires. Disconnect the two blue wires from the water solenoid and (3) wires connected to TB1. Note and tag the position of all wires that plug into the printed circuit assembly mounted

relays. Remove all the wires from the relays. When removing these wires pull on the connector and not the wire. Five self locking standoffs hold the board in place. Remove all five standoffs by pinching the tops. The printed circuit assembly can now be removed. To install the board reverse this procedure. Test the unit per SECTION 7: OPERATIONAL TEST.

IMPORTANT

The blue wire connected to "L" and "P3" on the PCA must be connected to the shortest of the three level probes.

C. WATER SOLENOID REPLACEMENT: Disconnect power from the unit. Turn the water supply OFF. Disconnect the water supply from the water solenoid valve. Remove the front cover. Remove the two blue wires from the water solenoid valve. Rotate the self-tightening hose clamp so it can be loosened with a pair of pliers. Squeeze the clamp and move it down towards the shelf and off the valve outlet tube. Remove the two 1/4" - 20 hex head bolts and lock washers that attach the valve to the chassis. Pull the valve off the rubber fill hose. To install the valve, reverse these instructions. Test the unit per SECTION 7: OPERATIONAL TEST.

D. LEVEL PROBE REPLACEMENT:

Disconnect power from the unit. Remove the front cover. Note where the blue wire is connected to the triple pronged water level probe. Disconnect all three (3) wires from the water level probe. Using a 1-1/4" box wrench, remove the level probe. Install a new level probe. Tighten until the bottom of the plastic nut is 1/8" to 3/8" inch above the top of the port. See diagram 10. Reattach the three (3) wires. Test the unit per SECTION 7: OPERATIONAL TEST.

IMPORTANT

The blue wire connected to "L" and "P3" on the PCA must be connected to the shortest of the three level probes.

IMPORTANT

The level probe may be extremely tight. Damage to the insulation or chassis may result unless the tank is properly blocked or supported during probe removal or installation. It may be necessary to completely disconnect and disassemble the generator.

WARNING

All electrical supplies should be disconnected when servicing steam generator.

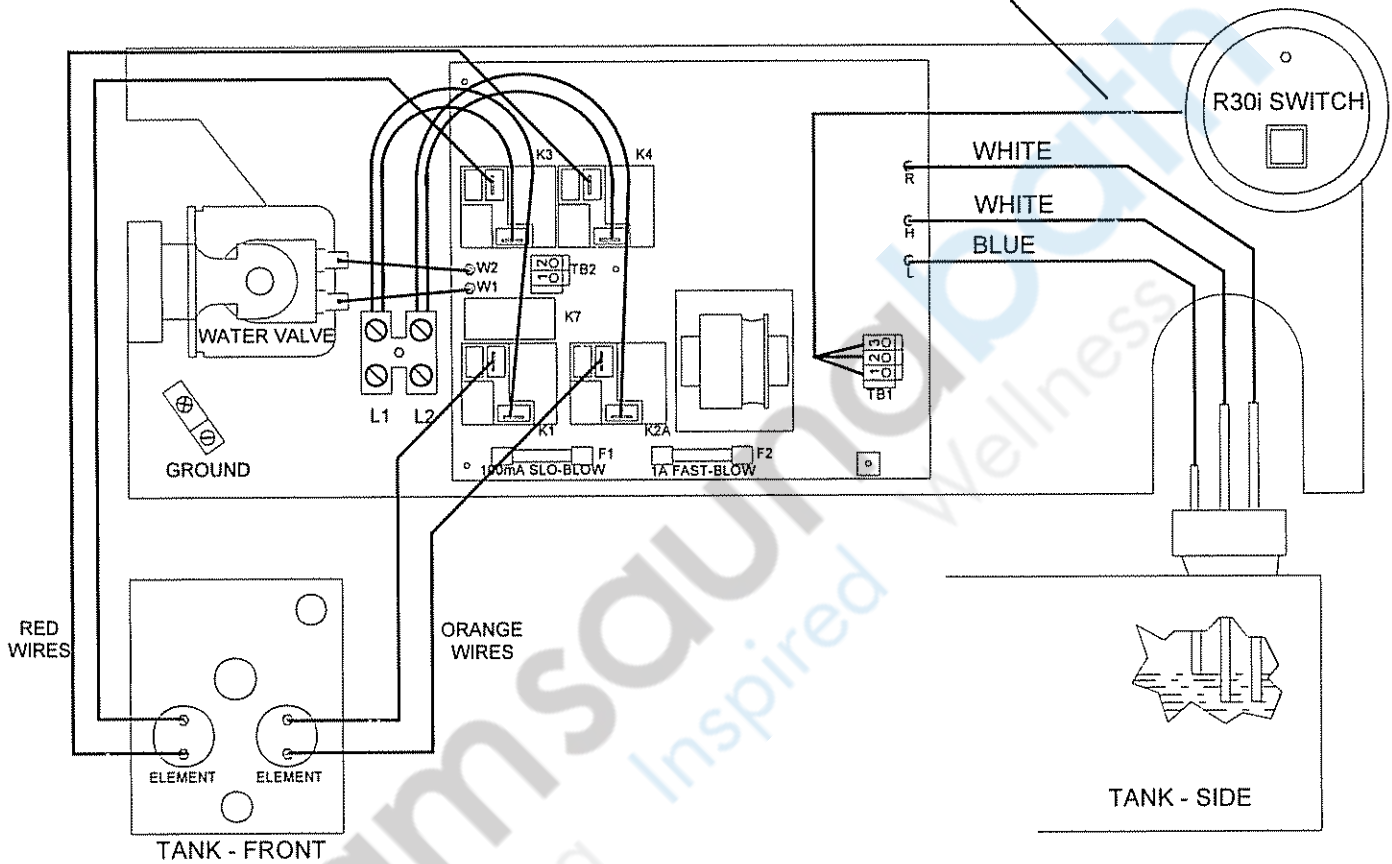
The relays may be damaged if the correct orientation of the connectors is not observed. See diagram 12.

For continued safe operation use factory authorized replacement elements only.

The level probe must be installed to the height shown in diagram 10.

DIAGRAM 14

CONNECT TIMER USING 18 TO 22 AWG WIRE (SOLID REQUIRED) RATED 300V, 75°C FROM GENERATOR TO CONTROL. STRIP LENGTH = 1/4". WIRES SHOULD BE LABELED OR COLOR CODED (NOT SUPPLIED)



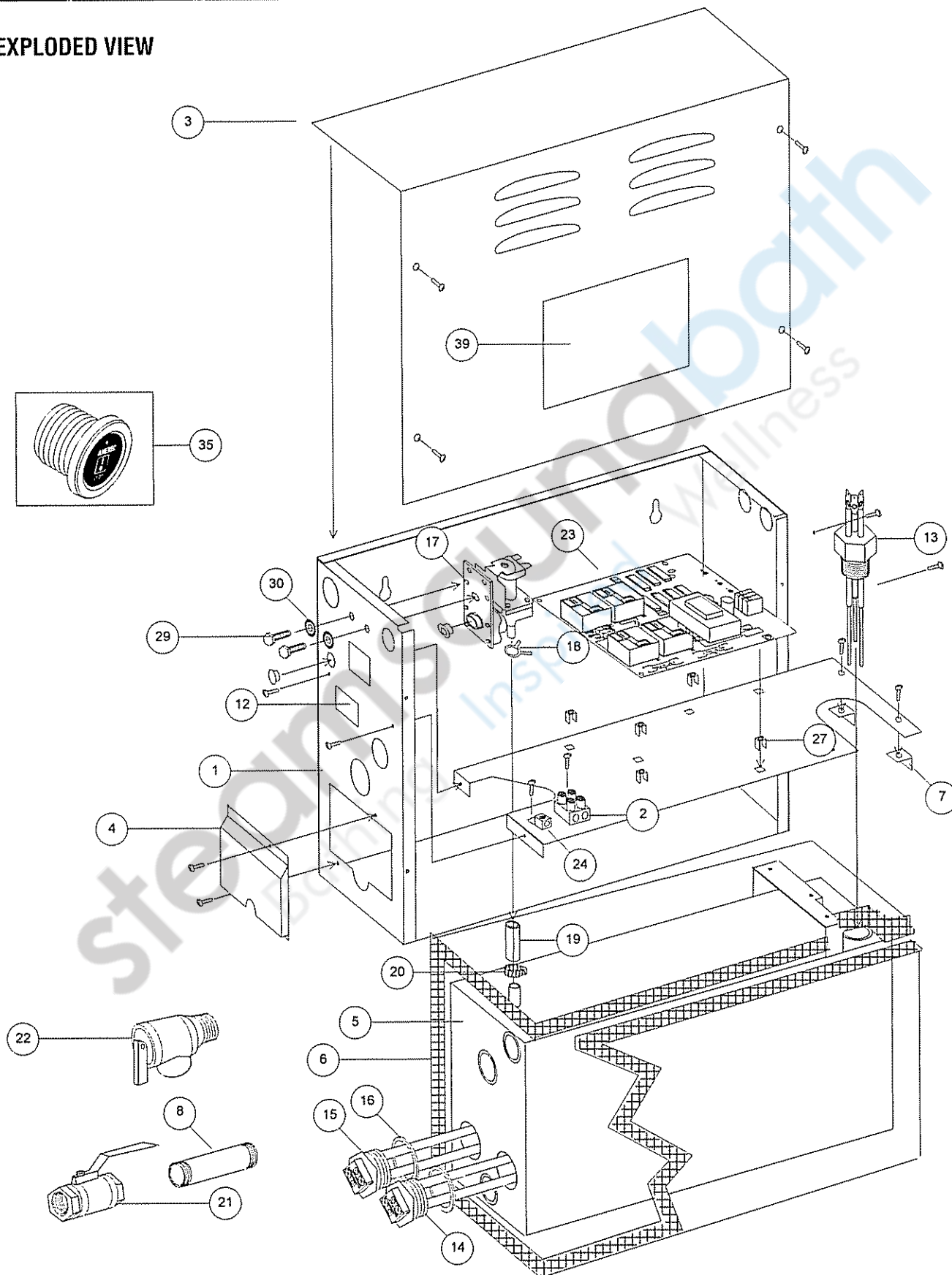
SECTION: 9 TROUBLE SHOOTING GUIDE

There are no user serviceable parts in the generator. All repair should be performed by a qualified service person. For additional assistance or the factory authorized service person nearest you call the AMEREC Service Department at 1-800-331-0349. The Trouble Shooting Guide below is meant as a general aid only. Follow ACTION TO BE TAKEN in order until the problem is resolved. Where replacements or repairs are indicated, see the appropriate paragraph of SECTION: 8 SERVICE.

SYMPTOMS	PROBABLE CAUSES	ACTION TO BE TAKEN
Control won't turn steamer on (Water doesn't run and control light off or very dim)	Improper power or No Power or Control miswired or faulty or Printed circuit assembly faulty	1 Make sure circuit breaker is on 2 Verify correct connections between the control and the unit's printed circuit assembly. If correct: A At the control, disconnect the wires from the terminal block. Momentarily touch the wire from the block's #1 to the wire from #2. If the unit turns on, replace the control - call factory B If the unit didn't turn on, go to the steamer unit. Momentarily jumper the printed circuit assembly's terminal block connection #1 to #2. If the unit turns on, replace/repair the control wiring C If the unit didn't turn on, use a short piece of solid wire to jumper the printed circuit assembly's J1 connector from pin 4 to pin 5 (as marked on the circuit board). With jumper in place, if the unit turns on, replace the printed circuit assembly - call factory 3 If the unit still doesn't turn on, call the factory
Unit turns on when power is switched on (Control lights, water runs)	Unit is improperly grounded or Control miswired or faulty or Printed circuit assembly is faulty	1 Check unit is properly grounded 2 Check the green ground wires to the tank and printed circuit assembly 3 Turn off the circuit breaker. Disconnect the control from the unit's printed circuit assembly and turn the circuit breaker on: A If the unit comes on when power is switched on, replace the printed circuit assembly - call factory B If the unit remains off when the power is turned on, check the control cable for correct connections and for shorted wiring. If the cable and connections are good, replace the control - call factory
Control "OFF" (Control light off) Water won't shut off and runs out the steam head	Water solenoid valve is stuck open or Printed circuit assembly is faulty	1 Turn off power to the generator. If water stops go to step 3 2 A Remove water solenoid valve, disassemble, clean, reassemble and check for proper operation B Replace valve - call factory. 3 Replace printed circuit assembly - call factory
Control "ON", Tank drained Unit won't fill up	No water supplied (turned off?) or Water solenoid valve plugged or Water solenoid valve faulty or Control faulty or Printed circuit assembly faulty or Water level probe faulty or Drain ball valve open	1 Close drain ball valve if open 2 Check for proper water supply (supply valve "ON"). Check for drain valve closed 3 Verify correct connections between the control and the unit's printed circuit assembly. If correct: A At the control, disconnect the wires from the terminal block. Momentarily touch the wire from the block's #1 to the wire from #2. If the unit fills, replace the control - call factory B If the unit doesn't fill, go to the steamer unit. Momentarily jumper the printed circuit assembly's terminal block connections #1 to #2. If the unit fills, replace/repair the control wiring 4 If the unit doesn't fill, use a short piece of solid wire to jumper the printed circuit assembly's J1 connector from pin 4 to pin 5 (as marked on the circuit board). With jumper in place, if the unit fills, replace the printed circuit assembly - call factory 5 Jumper J1 pins 4 and 5 as in step 3. Remove the blue wire from the water probe. If the unit fills, clean or replace the water probe 6 With the jumper still in place and the blue wire reconnected to the water probe, carefully slide back the connectors (on the 2 blue wires) at the water valve solenoid enough to get the voltmeter's probes on the solenoid's terminals. If the voltage is 208/240 VAC, replace the solenoid. If the voltage is low or absent, replace the printed circuit assembly - call factory 7 Remove the jumper. Remove the water valve, disassemble, clean, reassemble and check for proper operation 8. Replace water solenoid valve - call factory.
Control "ON" (Control light on) Water won't shut off and runs out the steam head	Printed circuit assembly is faulty or Connection between blue wire and the water probe is faulty or Unit improperly grounded.	1 Check that the blue wire is properly attached to the shortest water probe 2 Check that the generator is properly grounded 3 Check the green ground wires to the tank and printed circuit assembly 4 Replace the printed circuit assembly - call factory
Control "ON" (Control light on) Unit won't steam	Unit has not filled completely or Burnt out heating elements or Timer faulty or Water level probe faulty or Printed circuit assembly faulty	1 A Turn the Control "OFF". B Open the drain valve allowing tank to drain completely C Close the drain valve. D Turn the Control "ON" E Unit will begin filling, listen for a click noise. Within 20 seconds after click noise is heard the water fill will shut off. This indicates the tank is full. Go to step 3. If the tank does not fill - See SYMPTOMS: "Unit won't fill up" 2 If the tank filled but the relay click was not heard, temporarily ground the two long probes. If the click is heard as each probe is grounded, replace the level probe. If the click is not heard, replace the printed circuit assembly 3. After it has been determined that the tank has filled and the click noise was heard, remove the heating element access panel. Using voltmeter, check the voltage between the two wires on each heating element - the voltage should be 208/240 V. If proper voltage is found call factory for replacement heating elements. If no voltage is found - check the wiring diagram - call factory.
Control "OFF" Unit won't shut off	Control or printed circuit assembly faulty or Short circuit to ground wires from the timer to the generator.	1 If unit was previously working and control was lit, printed circuit assembly faulty - call factory 2 Refer to section for Unit on when power is turned on

DIAGRAM 15

EXPLODED VIEW



NUMBER	PART NAME	DESCRIPTION
1	FRAME	CHASSIS
2	TERMINAL	TERMINAL BLOCK
3	COVER	FRONT WITH WD LABEL
4	COVER	ELEMENT ACCESS
5	TANK	TWO ELEMENTS
6	INSULATION	BLANKET
7	BRACKET	L BRACKET, SHELF SUPPORT
8	NIPPLE	1/2" DRAIN NIPPLE
12	LABEL	UL RATINGS
13	PROBE	TRIPLE LEVEL
14	ELEMENT	NO 1 POSITION
15	ELEMENT	NO 2 POSITION
16	GASKET	ELEMENT
17	VALVE	WATER INLET
18	CLAMP	SELF TIGHTENING
19	HOSE	WATER
20	CLAMP	AUGER
21	VALVE	MANUAL DRAIN
22	VALVE	PRESSURE RELIEF
23	PCA	PRINTED CIRCUIT ASSEMBLY. AR
24	LUG	GROUND
27	STAND OFF	PCA STAND OFF
29	BOLT	1/4-20 x 1/2"
30	WASHER	1/4" LOCK
35	CONTROL	R30i
37	STEAM HEAD	DISPERSION HEAD (NOT SHOWN)
38	PLACARD	SAFETY (NOT SHOWN)
39	LABEL	WIRE DIAGRAM
40	FUSES	15/100A SLO-BLO (NOT SHOWN)

PARTS AND / OR RETURNS:

• For assistance or parts ordering, please contact your local AMEREC Dealer or AMEREC at 1-800-331-0349. Please help us to serve you better by:

1. Identifying the problem by using the troubleshooting guide in this manual.

2. Read Number 12, the UL Ratings Label, to obtain your unit's model and code number.

• When ordering parts, please provide the number, description and quantity needed. When ordering wires or wire assemblies, please describe the wires by color, location and / or their connection points.

• Do not return any material to AMEREC without first contacting AMEREC for a Return Authorization Number. Freight must be prepaid to AMEREC.

**SAUNA PRODUCTS ALSO
AVAILABLE FROM AMEREC:**

AMEREC SAUNAS are manufactured with the highest quality workmanship and materials available. Designed for easy installation, AMEREC Room Packages come in three different styles that include heater, controls and accessories.

Pre-Cut Room Package: (PC) kits contain all the materials and equipment necessary to complete the sauna after the room has been framed, wired, insulated and sheet-rocked. These rooms are built-in and a permanent part of the home or commercial building. Sizes from 3' x 4' & up.

Modular Room Package: (MP) kits are free standing rooms that are designed to be constructed in an open area of any home or commercial building. They come in either wood or glass fronts. Sizes from 4' x 4' & up.

Also available are individual sauna heaters in standard and electronic styles, sauna doors and accessories. *LET US DESIGN A CUSTOM SAUNA ROOM FOR YOU TODAY.*

Contact your local dealer for more information about **AMEREC SAUNAS** or call:

1-800-331-0349

AMEREC
SAUNA & STEAM
17683 128th Place NE, Building C
Woodinville, Washington 98072, USA
425-951-1120 Fax: 425-951-1130