

# mr.steam®chromasteam

## Installation and Operating Instructions

### Model MS Chroma 1 and MS Chroma 2

#### Box Contents

The MS Chroma 1 includes all of the following:

- 1 Installation and Operations Manual
- 1 Light Fixture
- 1 Cluster of 20 LEDs
- 1 Fixture Lens
- 1 Tube of Silicone

The MS Chroma 2 includes all of the following:

- 1 Installation and Operations Manual
- 1 Light Fixture
- 1 Cluster of 28 LEDs
- 1 Fixture Lens
- 1 Tube of Silicone

**IMPORTANT NOTE:** As you follow these instructions, you will notice warning and caution symbols. This blocked information is important for the safe and efficient installation and operation of this Chromasteam™. These are two types of potential hazards that may occur during this installation and operation:

#### **! WARNING**

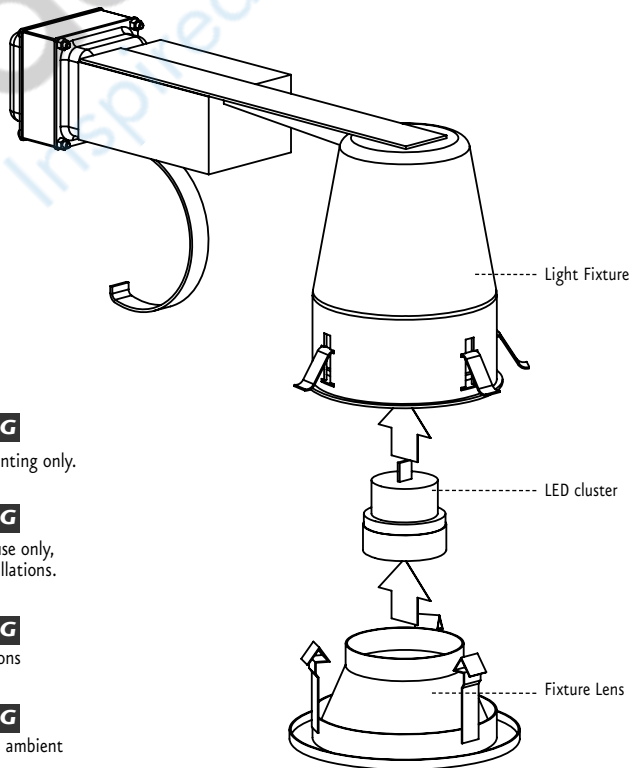
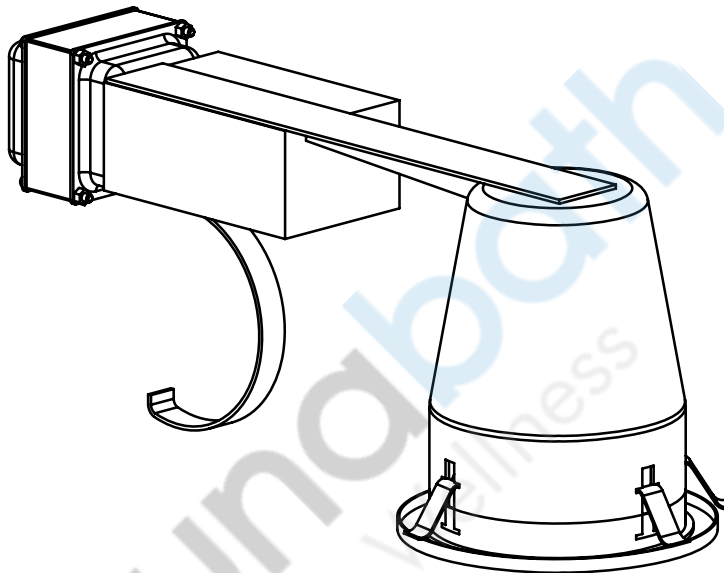
states a hazard which may cause serious injury or death if precautions are not followed.

#### **! CAUTION**

signals a situation where minor injury or product damage may occur if you do not follow instructions.

#### **IMPORTANT NOTE:**

THIS HIGHLIGHTS INFORMATION THAT IS ESPECIALLY RELEVANT TO A PROBLEM-FREE INSTALLATION.



#### **! WARNING**

For recessed ceiling mounting only.

#### **! WARNING**

Suitable for residential use only, not for commercial installations.

#### **! WARNING**

Suitable for damp locations

#### **! WARNING**

Suitable for operation in ambient not exceeding 60°

**GENERAL INSTALLATION:**

**! WARNING** Installation should only be done by a licensed electrician.

**! WARNING** Be certain that power is not supplied to the field wiring during installation.

**! WARNING** Insulation must be a minimum of 3" away from all sides of the fixture assembly.

- Determine the placement of the light.

**! CAUTION** Do not install the fixture assembly (light) where direct contact with steam or water emission could occur. Do not install the light in a location where it could become submerged.

- The light requires a 4 1/4" diameter hole for mounting.
- Provide electrical service (120 VAC) with flexible cable only. Pass cable through opening and wire fixture in accordance with NEC and local electrical code. A standard single pole wall switch must be installed to turn the light on and off.

**! WARNING** DO NOT install the wall switch in the steam room. The switch must be installed in a location and manor described in the NEC and local electric codes.

**! CAUTION** Do not use a dimmer switch to control the ChromaSteam Lights

- Pass the cable through the opening in the ceiling and wire the fixture in accordance with NEC and local electrical code.
- Connect the supply wires per the wiring diagram. Use suitable wire nuts (not included) to insulate and secure the connection.
- Connect ground copper wire from wiring box to ground wire from electrical service using a wire nut to insulate and secure the connection.
- With the clips folded into the fixture as shown in figure 1 insert the wired housing into the ceiling junction box first as shown in figure 2.
- Applying a small bead of silicone between the flange on the fixture and the ceiling is recommend (figure 2).
- Hold fixture up against the ceiling and push clips through housing slot. To lock clip in place push flat portion against the side of the fixture using a flat head screwdriver (figure 3).
- Install the LED cluster into the wedge base in the fixture.
- Install the fixture lens flush with the ceiling.

**IMPORTANT NOTE:** In areas where excessive ceiling vibration can occur, we suggest using a 1/4 - 14 x 1/2" pan head sheet metal secure to lock the spring clip against the housing. Drive the screw through the hole provided in the spring clip and into the housing slot.

**OPERATION**

1. 9 color lighting modes can be cycled by turning the power off momentarily (2 seconds or less) then back on. The color modes in order are:

- |                    |                                      |
|--------------------|--------------------------------------|
| a. Bright White    | f. Shamrock Green                    |
| b. Aquablue        | g. Fiery Red                         |
| c. Soothing Violet | h. Chameleon (slow automatic cycle)  |
| d. Ocean Blue      | i. Party Mode (fast automatic cycle) |
| e. Majestic Gold   |                                      |

2. To cycle through the color choices turn the light off for 1 to 2 seconds, when the light is turned back on the next color will illuminate. Continue turning the light on and off till you select the desired light to fit your mood.

3. If left off for more than 5 seconds the last color selection will be stored in the memory. When the light is turned on after being off for more than 5 seconds it will be the color of your last selection. To select a different color simply turn the light on and off as described above to cycle through the colors.

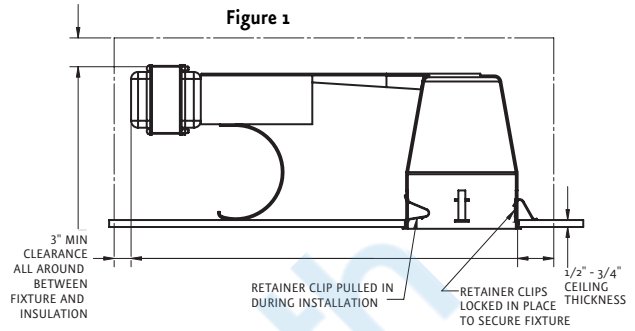


Figure 2

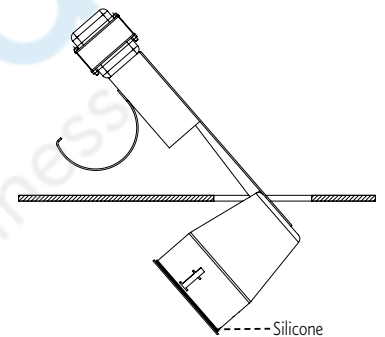
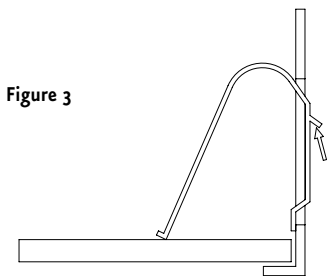


Figure 3



Wiring Diagram

