

# WARNINGS

Leave the room immediately if you have any adverse or allergic reactions, including difficulty breathing or eye, nasal, throat or skin irritation and seek medical attention.

The use of oils may introduce excessive concentration of oil into the steam room, resulting in a health hazard.

Vapors may cause drowsiness and dizziness. Keep out of the reach of children. In case of contact with eyes, rinse immediately with plenty of water and seek medical advice. If swallowed, rinse mouth with water (only if the person is conscious), seek medical advice immediately.

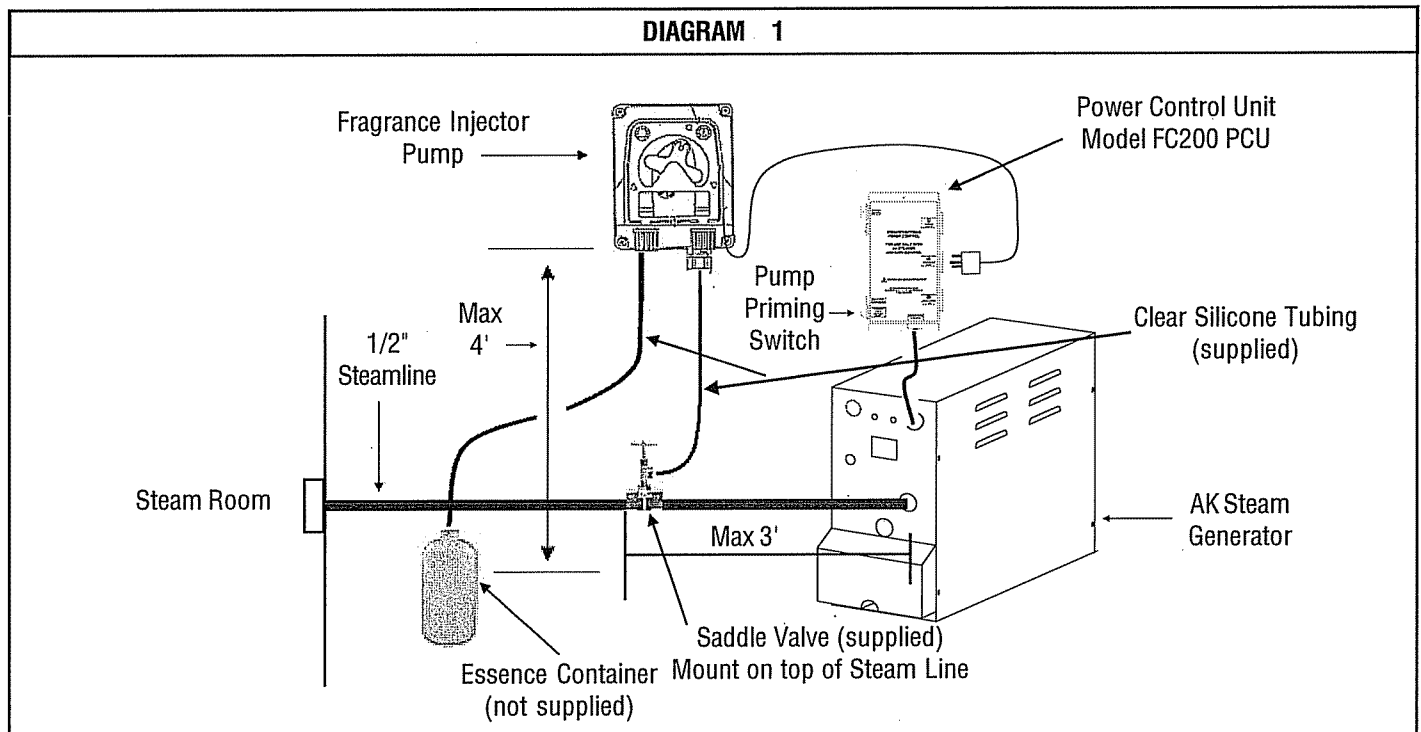
Highly Flammable. Keep away from sources of ignition- No smoking. Keep container tightly closed & in a well-ventilated place.

Not for use in acrylic or fiberglass rooms.

The pump has been factory set to deliver a suitable amount of aromatic oil into a typical sized steam room. PLEASE CONTACT THE FACTORY BEFORE CHANGING THIS SETTING. Increasing the speed setting on the pump may introduce excessive concentration of oil into the steam room, resulting in a health hazard.

The Model FC220P Fragrance Injector Pump is to be used in conjunction with the K200i Freedom Control and the FC200 PCU Power Control Unit. The pump should be mounted within 5' of the generator and not more than 4' above the Essence Container. The pump electrical supply cord plugs into the FC200 PCU power control unit which is connected to the generator. A "Priming Switch" on the power control unit allows filling the silicon tubing with fragrance prior to initial operation.

## Installation Overview



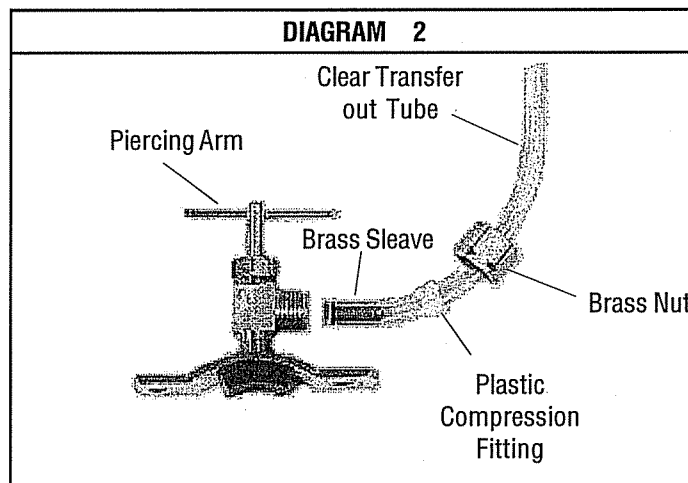
**General Installation**

1. Locate the Essence Container to monitor the consumption of essential oils and for easy oil replacement.
2. Do not install Fragrance System in a location where water could freeze.
3. Do not install near flammable or corrosive materials and chemicals. Installation in areas having high concentrations of chlorine (such as pool equipment room) should be avoided.
4. Attach the pump onto a secure vertical surface.
5. Provide access for servicing and refills.
6. The system should not be installed in areas accessible to children. A LOCKED ROOM IS STRONGLY RECOMMENDED (ie: utility room)
7. Height difference between the pump and essence container as well as pump and saddle valve, is to be held to a maximum of 4 ft.

**Installation of Saddle Valve (Diagram 2)**

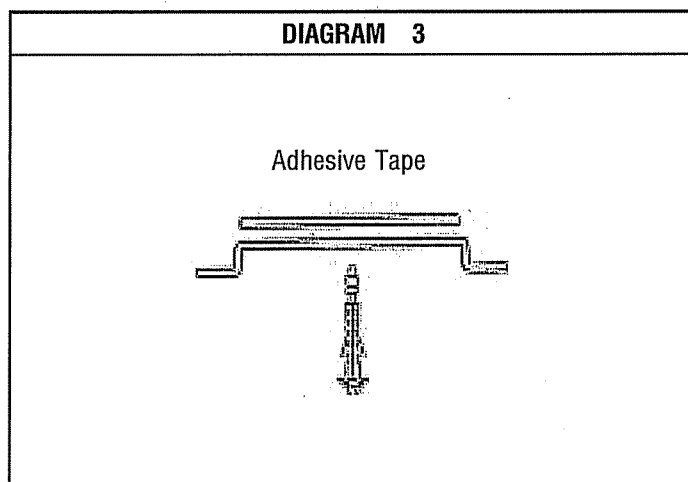
The saddle valve supplied should be mounted on top of the 1/2" copper steamline within the first 3 feet of steamline exiting the generator.

- Slide brass nut onto clear transfer out tube followed by plastic compression fitting.
- Insert brass sleeve inside clear transfer out tube.
- Tighten brass nut.
- Tighten piercing arm all the way down through the 1/2 inch copper steam line and then all the way back out.



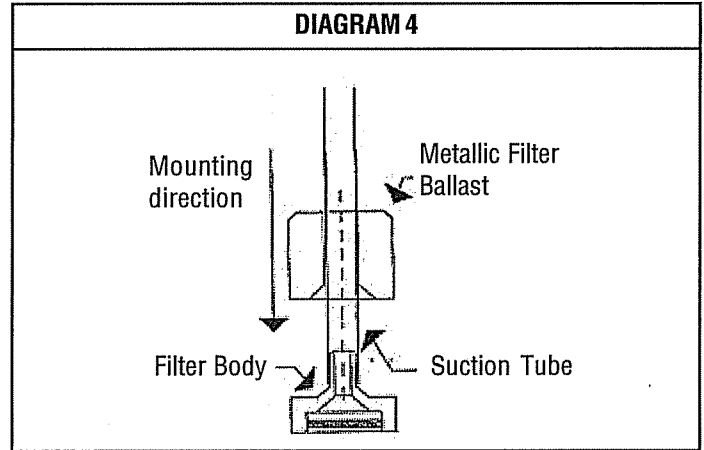
**Pump Installation with the Provided Bracket**

- Mount the plastic bracket with the provided screw (see diagram 3)
- In case of tiled or low friction walls use the supplied adhesive tape as follows:  
Peel off one of the two protective foils from the tape, stick the tape to the bracket, peel off the second protective foil and proceed to mount the bracket with the provided screw;
- Slide the grooves on the back of the pump over the bracket.



**Foot Filter Installation**

- Insert the end of the tubing in the metal weight so that it exits from the flared end of the weight; insert the filter's barbed fitting in the same end of the tubing;
- Tighten the tubing by sliding the weight over the barb until it is flush with the filter;
- (Diagram 4 shows the steps for installing the suction filter) It is strongly recommended to use the suction filter in all situations, assuring that it reach the bottom of the essence container. It should be cleaned periodically to remove product residue or accumulation of debris.

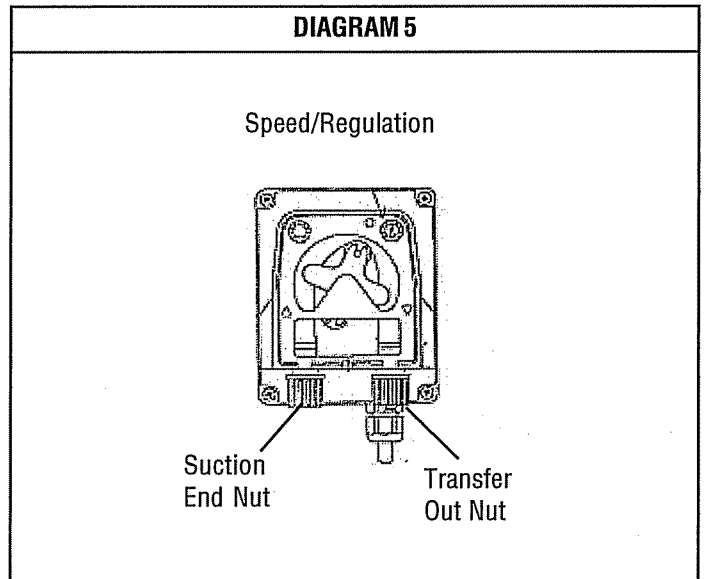


**Installation of Transfer Hose**

- Unscrew suction end nut from pump.
- Insert open end of suction hose through the hole of the suction end nut, firmly push the hose onto the cone of the suction fitting at pump.
- Screw the suction end nut onto the suction fitting.  
\*\*(Hand tighten only)\*\*
- Repeat steps for transfer out hose.

**Speed (Flow Rate) Adjustment (Diagram 5)**

- To adjust the speed remove the protective cap to the right of the LED with a small screw driver
- To reduce speed, turn the timmer set screw counter-clockwise
- To increase speed, turn the timmer set screw clockwise
- The speed is set at the factory on the minimum level and should be tested for user preference at this speed first.



**Priming of Pump**

- Plug in power cord to power control unit.
- Turn on priming switch until fragrance reaches the saddle valve.

**Tubing Replacement -**

- Disconnect the unit from the power supply.
- Remove the transparent front cover.
- Turn the roller assembly so that the rollers are situated vertically, slide the connection on the left toward you pulling the tube out of its seat and manually rotate the roller assembly clockwise until it is possible to extract the right hand side connection from its seat;

**To install the tube** turn the roller assembly so that the rollers are lined up horizontally;

- Insert the connection in its seat on the left of the pump with the curved side towards the rear of the pump and pushing the tube into its seat while manually rotating the roller housing clockwise until it is possible to insert the right hand side connection into its seat;
- Insert the cover starting from the top, with the textured side facing the pump and pushing slightly on the sides until it clicks in place.



P.O. Box 2258, Woodinville WA 98072  
425-951-1120 Fax: 425-951-1130  
email address: amerec @ amerec .com