

CP-1 CONTROL PACKAGE

- 2) Install the cable from the area of the Temperature Sensor (Probe) to the steam generator's location. The Temperature Sensor (Probe) **MUST** be located inside the steamroom. In steamrooms with singletier seating the Sensor should be located 6 feet above the floor, with two tier seating it should be 7 feet above the floor and in either case away from the steamhead and steamroom door. The connector end of the wire must be installed inside the steamroom. **NOTE:** A 5/8 inch hole should be provided so that the connector can be passed through the wall for installation found later in these instructions.

CP-1 System Control Package Installation

- C. 1) Temperature Sensor (Probe) (for installation inside the steamroom)
 - a. Locate the 2 wire cable described in the Rough-in section.

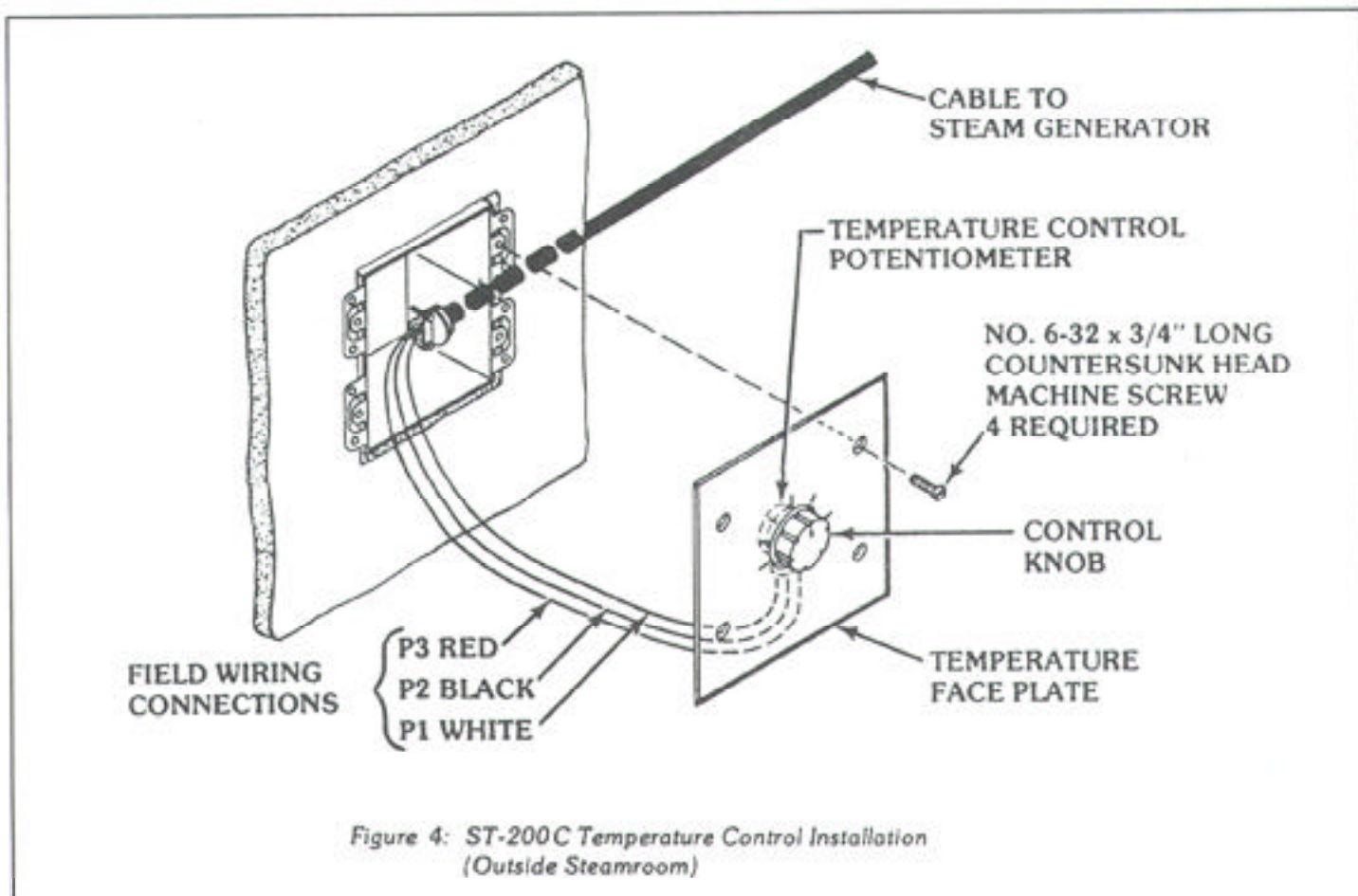
- b. Keeping the 5/8 inch hole centered, drill two 1/4 inch holes 2 inches apart. Insert 2-No. 8 plastic anchors into drilled holes.

- c. Follow Figure 3.

- 2) Temperature Control Panel (for installation outside the steamroom)

- a. Attach the 3 wires (P1, P2, and P3) from the Temperature Control Potentiometer to the 3 wire cable in the two-gang box. Note the colors of wire P1, P2, and P3 are attached to match the colors of the 3 wire cable to the potentiometer wire colors.

- b. Secure Temperature Face Plate to the two-gang box using four (4) machine screws. (See Figure 4.) **Important:** Care must be taken to mount Temperature Face Plate properly.



CP-1 CONTROL PACKAGE

3) System Control Module

- a. Remove screws securing cover to System Control Module and remove cover (Figure 5).
- b. Feed the 3 wire cable through the top strain relief, three inches into the control module. Attach wires as shown in the blowup (Figure 5).
- c. Feed the 2 wire cable through the lower strain relief, three inches into the control module. Attach wires as shown in the blowup (Figure 5).
- d. Check that all connections are made

in accordance with Wiring Diagram (See Figure 7.)

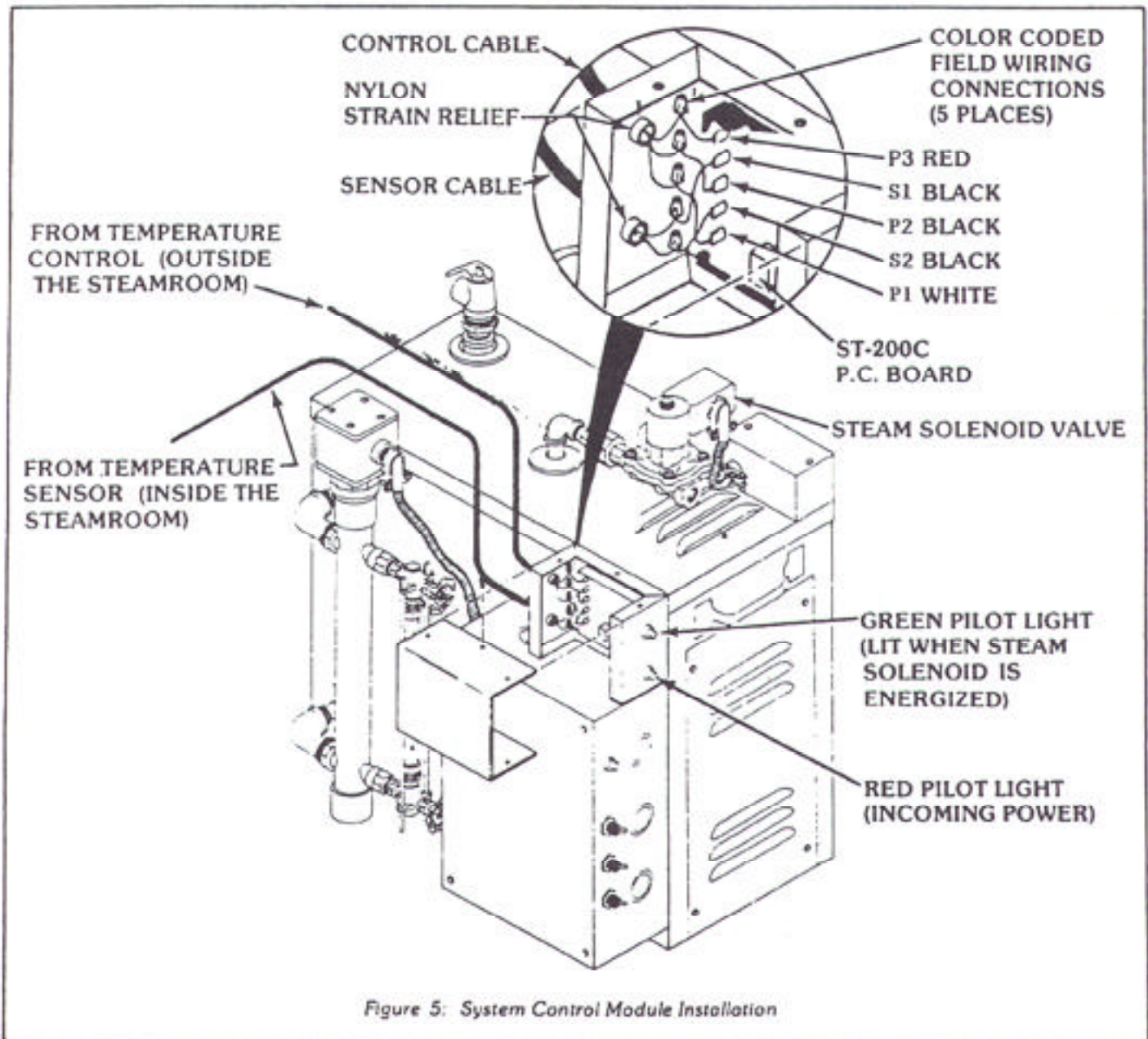
- e. Replace control module cover.

D. Steam Solenoid Valve

There is no installation required for the steam solenoid valve. it is factory installed and wired.

E. Operation

The temperature of the steambath is regulated automatically by the ST-200C Temperature Control System which turns "On or Off", the Steam Solenoid Valve located on the steam generator allowing steam to enter the room.



CP-1 CONTROL PACKAGE

To INCREASE the temperature, turn the knob on the Temperature Control Panel clockwise; the HIGHER THE NUMBER, THE HIGHER THE SETTING (numbered 1 to 10).

To DECREASE the temperature, turn the knob counterclockwise.

Once a desired temperature setting has been established there should be no further need for additional adjustments.

IMPORTANT.

To check the function, two lights are provided on the exterior of the System Control Module located on the steambath generator. The "Red Light" indicates there is electrical power to the Temperature Control Module. The "Green Light" indicates the Steam Solenoid Valve is energized.

If a malfunction should occur in either the incoming electrical power supply "Red Light" or the Steam Solenoid Valve "Green Light" then the appropriate light will not be lit. However, the "Green Light" will cycle "ON and OFF" to indicate mode of the Steam Solenoid Valve.

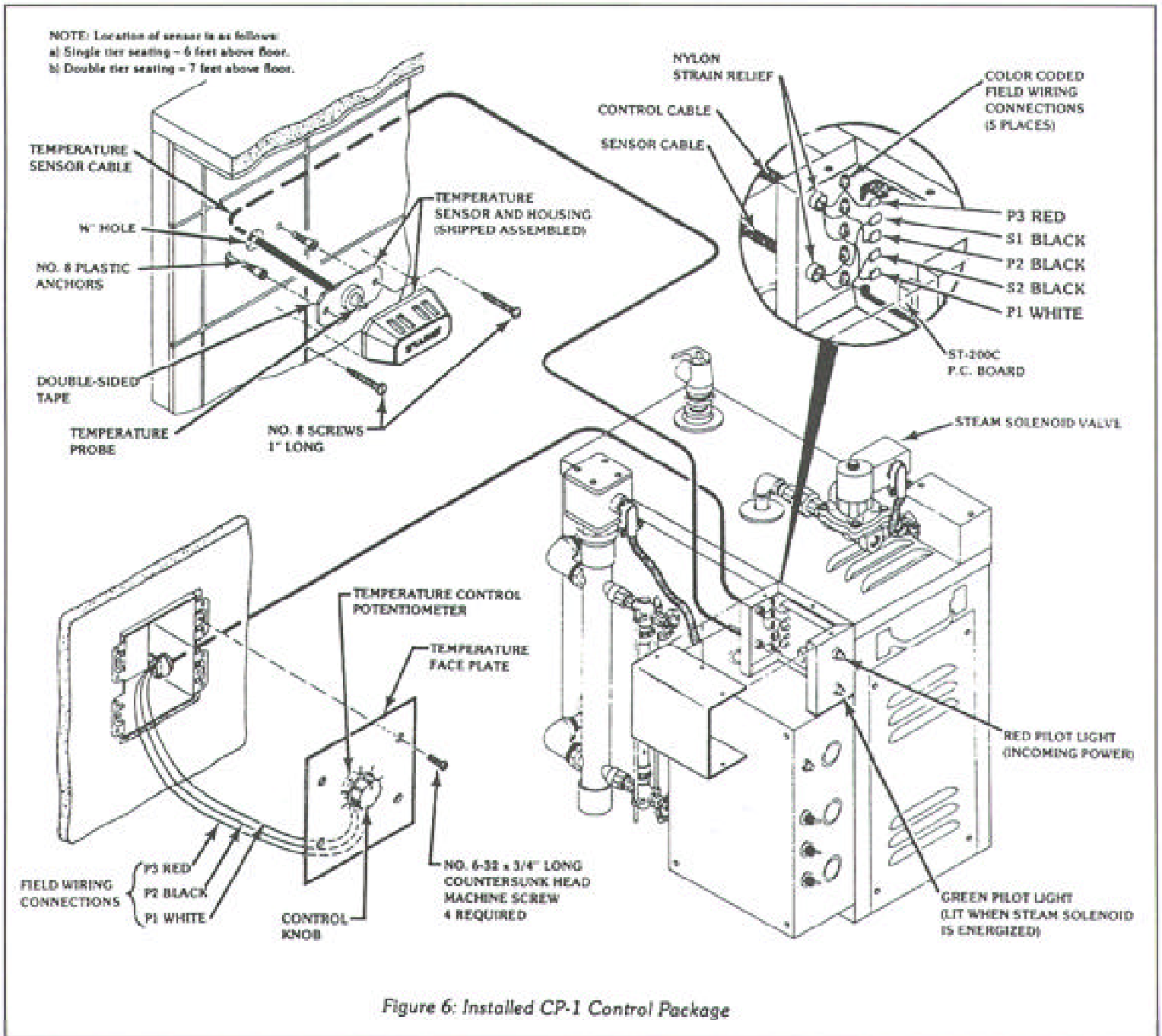


Figure 6: Installed CP-1 Control Package