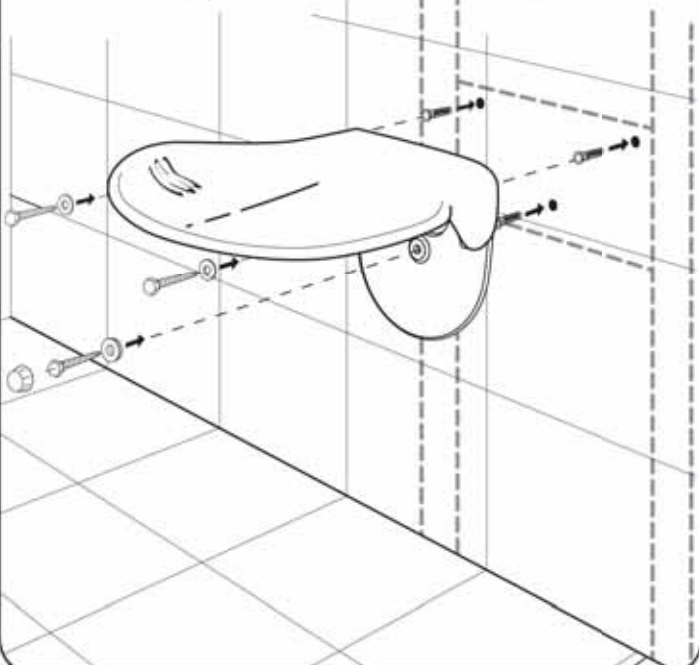
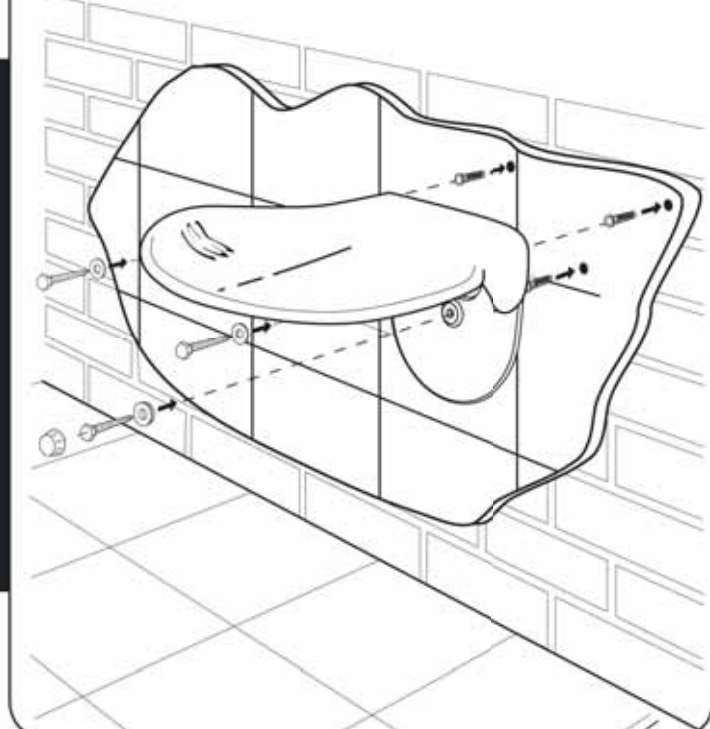


**1** Mounting on to stud wall (wood) with blocking: Blocking must be a 2" x 6" or equivalent and must be an adequate anchor base, secured into studs. Use (3) hex head screws provided for this installation (use template provided). Screws should penetrate into the header a minimum of 1 1/2". A 3/8" dia masonry bit should be used to drill pilot holes.



**2** Mounting on to masonry, brick or block wall: Install (3) plastic anchors provided for this installation (use template provided). A 3/8" dia masonry bit should be used to drill pilot hole.



The folding seat must be anchored to a solid structure to assure a safe and secure installation. As a minimum standard, follow recommended instructions above. Recommended mounting height is 17 3/4" (min. 13 3/4")

**Components:**

- 1 - Instructions
- 3 - Hex head screws
- 3 - Plastic anchors
- 1 - Plastic cap
- 1 - Nylon washer
- 2 - Steel washers

