

AMEREC STEAMBATH GENERATORS (MODELS: AK5, AK7, AK10 with K30 CONTROL)

FOR THE SAFETY OF YOU AND YOUR FAMILY PLEASE READ THE WARNINGS TO THE RIGHT AND ALL INSTRUCTIONS BEFORE USING YOUR STEAMBATH.

POST "STEAMBATH INSTRUCTIONS" LABEL OUTSIDE STEAMBATH FOR SAFETY WARNINGS.

SAVE THIS MANUAL

Thank you for purchasing your new AMEREC steam generator. If we can be of any assistance do not hesitate to call our Service Department at 1-800-331-0349

WARNING

Electric Shock Hazard - High voltage exists within this equipment. There are no user serviceable parts in this equipment. All installation and service to this equipment should be performed by qualified licensed personnel.

Do not exceed 30 minutes in a steambath. Excessive exposure can be harmful to your health. Excessive exposure can produce a rapid pulse, light-headedness, weakness or fainting. If you become uncomfortable or experience any of the above conditions exit the steambath immediately.

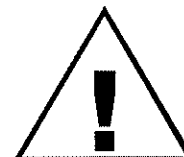
Steambaths can put stress on the body. Therefore a steambath should be used only under a doctor's direction if you:

- Are pregnant*
- Have a heart condition*
- Have high blood pressure*
- Have circulatory problems*
- Are under the influence of alcohol*
- Are under the influence of drugs*
- Have diabetes*
- Are under the care of a physician*
- Are in generally poor health*

Children should only use the steambath under close adult supervision.

Scald Hazard: Do Not Touch the steam head or trim during operation as they are HOT. Stay at least 12 inches away from the hot steam escaping from the steam head.

Be careful when entering a steambath. Escaping steam from an overheated steam room may cause injury.



SECTION 1: STEAM GENERATOR OVERVIEW

The K-30 model steam generator control features a 30 minute press on timer lighting up the word "STEAM" and a thermostatic control preset to reach 120 degrees Fahrenheit. The primary control can be mounted either inside or outside the steam room and an optional 2nd control is

available to mount in an alternate location. The preset temperature can be adjusted in a range between 100 degrees and 125 degrees Fahrenheit. Once the set temperature is reached the "soft steam" feature automatically engages cutting steam production back to a single element to

provide softer billowing steam during more of the steam bath. If the steam room temperature drops more than 5 degrees both elements will automatically engage.

SECTION 2: OPERATION OF YOUR K30 CONTROL

1. Be sure the power circuit and water supply to the generator are on.
2. Firmly press the ON/OFF button on the control until the word "STEAM" lights up.
3. The generator should produce steam in 5 to 10 minutes and will turn off automatically in 30 minutes. You may also press the control a second time to turn off the "STEAM" light and shut down the generator.

4. If you wish to change the preset temperature see the instructions in section 3.
5. Wait for the steam room to reach a comfortable temperature.
6. Remove clothing and jewelry.
7. Enter the steam room and close the door to prevent steam from escaping.
8. Enjoy the warm steam releasing tense muscles

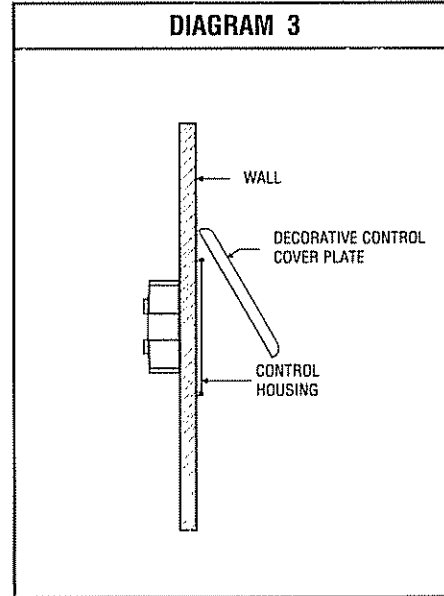
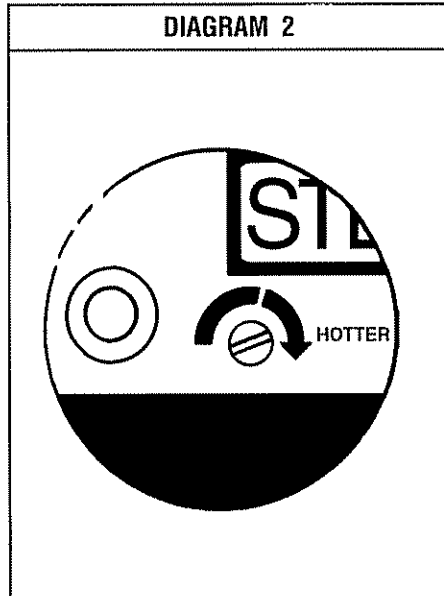
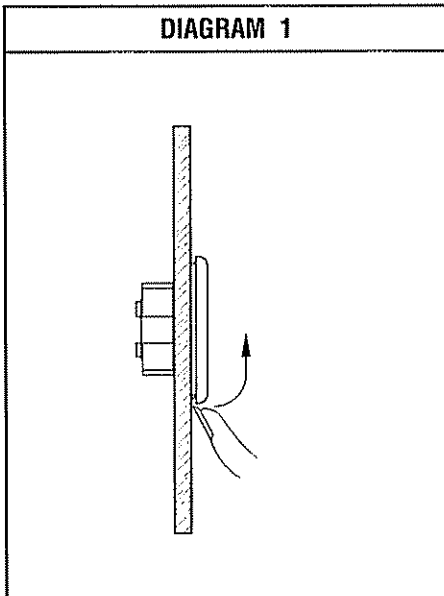
- and refreshing the entire body.
9. If your steam room has a shower, a pleasant experience can be achieved by taking a warm shower with the steam.
10. After a steambath a warm shower will give you a feeling of relaxation and is conducive to a good night's rest. A cold shower will refresh you and is a good way to start a busy day or prepare you for an evening out.

SECTION 3: TEMPERATURE ADJUSTMENT

1. To adjust the set temperature remove the snap-on decorative control cover by lifting from the bottom as shown in diagram #1. (If an optional second control is connected only the "primary" control plugged, into connector J7, can be used to adjust the temperature).

2. Using a small slotted screw driver turn the adjustment pot in the desired direction. See diagram #2. One quarter turn equals approximately 5 degrees of temperature change. Caution: Over stressing the adjustment pot can damage the control.

3. Snap the control cover plate back on by sliding the top of the cover plate onto the control housing and pushing on the bottom of the control cover plate. See diagram #3. The new temperature setting will become effective the next time the steam is turned on.



SECTION 4: MAINTENANCE OF YOUR AK STEAM GENERATOR

The steam generator, steam head, fittings and plumbing connections should be inspected regularly for water leaks and damage. The AK steam generator is equipped with a manual drain valve for flushing sediments from the generator tank. This procedure should be scheduled monthly or more often depending on local water conditions and steam bath usage.

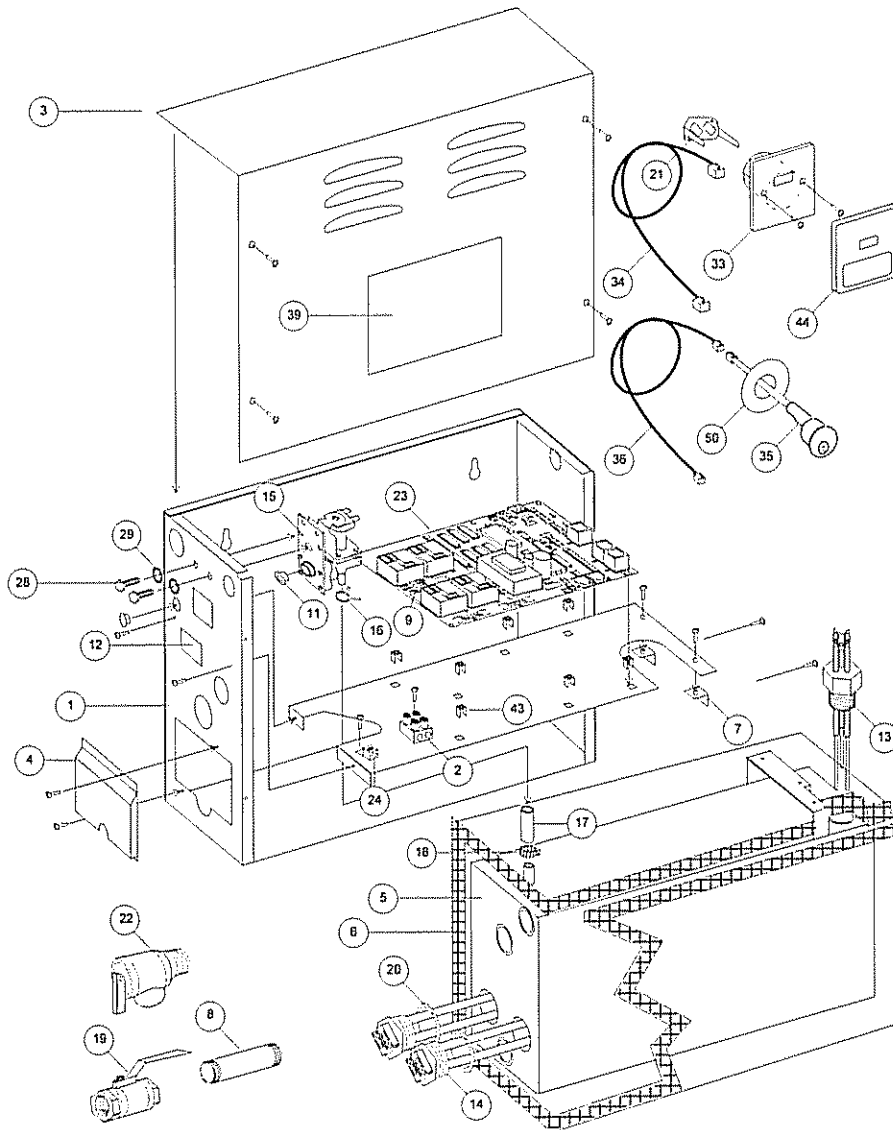
Flushing Procedures:

1. The generator should be cool.
2. Press the control ON.
3. Open the manual drain valve.
4. The unit will drain without heating the water.
5. Allow the water to run for a full 10 minutes.
6. Push the control OFF. When the water stops flowing out the drain, close the manual drain valve.

SECTION 5: TROUBLE SHOOTING GUIDE

The troubleshooting guide is meant as a general aid only. There are no user serviceable parts in the generator. All repairs should be performed by a qualified service person. For additional assistance or the number of the factory authorized service person nearest you call AMEREC's Service Department at 1-800-331-0349.

SYMPTOMS	PROBABLE CAUSES	ACTION TO BE TAKEN
Control won't turn "ON"	No power to the generator	1. Verify that the circuit breaker is on.
Control "ON" No Steam	No water to the generator or Faulty control or Faulty generator	1. Wait at least 10 minutes after turning on the control. 2. Verify that the water is on. 3. Verify that the generator drain valve is closed. 4. Turn circuit breaker off and wait 30 seconds. Turn back on and recheck. 5. If the above 4 steps do not disclose the problem turn off the generator's circuit breaker and call AMEREC's Service Department.
Control "OFF" Unit still makes steam	Faulty control or Faulty generator	1. Turn off the circuit breaker. 2. Call AMEREC's Service Department.
Control flashing	Error signal	1. Call AMEREC's Service Department.
Water runs out of steam head	Faulty generator	1. Turn off the circuit breaker. 2. Turn off the water. 3. Call AMEREC's Service Department.
Steam room too hot or cold	Temperature adjustment needs setting	1. See Section 3, "Temperature Adjustment". 2. Call AMEREC's Service Department.
Sudden increase in rate water sputters out of steam head	Foaming contaminants in the water supply	1. Flush tank 3 times. See Section 4, "Flushing Procedure".



NUMBER	PART NAME	DESCRIPTION
1	FRAME	CHASSIS
2	TERMINAL	POWER INPUT TERMINAL BLOCK
3	COVER	FRONT WITH WD LABEL
4	COVER	ELEMENT ACCESS
5	TANK	TWO ELEMENTS
6	INSULATION	BLANKET
7	BRACKET	L BRACKET
8	NIPPLE	DRAIN NIPPLE
9	TERMINAL	OPTIONAL AUTO FLUSH TERMINAL BLOCK
11	CAP	CAP, THREAD PROTECTOR
12	LABEL	UL RATING
13	PROBE	TRIPLE LEVEL
14	ELEMENT	REPLACEABLE ELEMENT
15	VALVE	WATER INLET
16	CLAMP	SELF-TIGHTENING
17	HOSE	WATER
18	CLAMP	AUGER
19	VALVE	MANUAL DRAIN
20	GASKET	ELEMENT
21	BRACKET	MOUNTING BRACKET
22	VALVE	PRESSURE RELIEF
23	PCA	PRINTED CIRCUIT ASSEMBLY, AK
24	LUG	GROUND

28	BOLT	1/4-20 x 1/2"
29	WASHER	1/4" LOCK
33	CONTROL HOUSING	CONTROL HOUSING
34	CABLE	CONTROL CABLE
35	SENSOR	TEMPERATURE SENSOR
36	CABLE	TEMPERATURE SENSOR CABLE
37	STEAM HEAD	DISPERSION HEAD (NOT SHOWN)
38	PLACARD	SAFETY (NOT SHOWN)
39	LABEL	WIRE DIAGRAM
40	FUSES	15/100 SLO-BLO (NOT SHOWN)
41	FUSES	3A SLO-BLO (NOT SHOWN)
43	STANDOFF	METAL STAND OFF
44	COVERPLATE	DECORATIVE CONTROL COVER PLATE
50	TRIM RING	OPTIONAL TRIM RING

AMERECTM
SAUNA & STEAM
 P.O. Box 2258, Woodinville WA 98072
 425-951-1120 Fax: 425-951-1130
 email address: amerec @ amerec .com