

Instruction for No Touch steam head

(For Deluxe Steam head refer to its instructions)

Parts Enclosed

- No Touch Steam head

Steam head

Steam head housing

Material Needed

- Clear Silicone
- 1/2" Drop Elbow
- Other materials as required

Tools Needed

- 1" deep Socket and ratchet
- 2.5" hole cutting tool
- Silicone gun
- Other tools as required

1. Drill a 2.5" diameter hole in the shower wall or wall above the bathtub rim for the steam outlet line. (Figure 3A) CAUTION: The steam head is **hot** and should not be located near a seat or bench! We recommend locating steam head on the fixture wall.

Figure 4

**** Ensure that all Plumbing is Firmly Secured ****

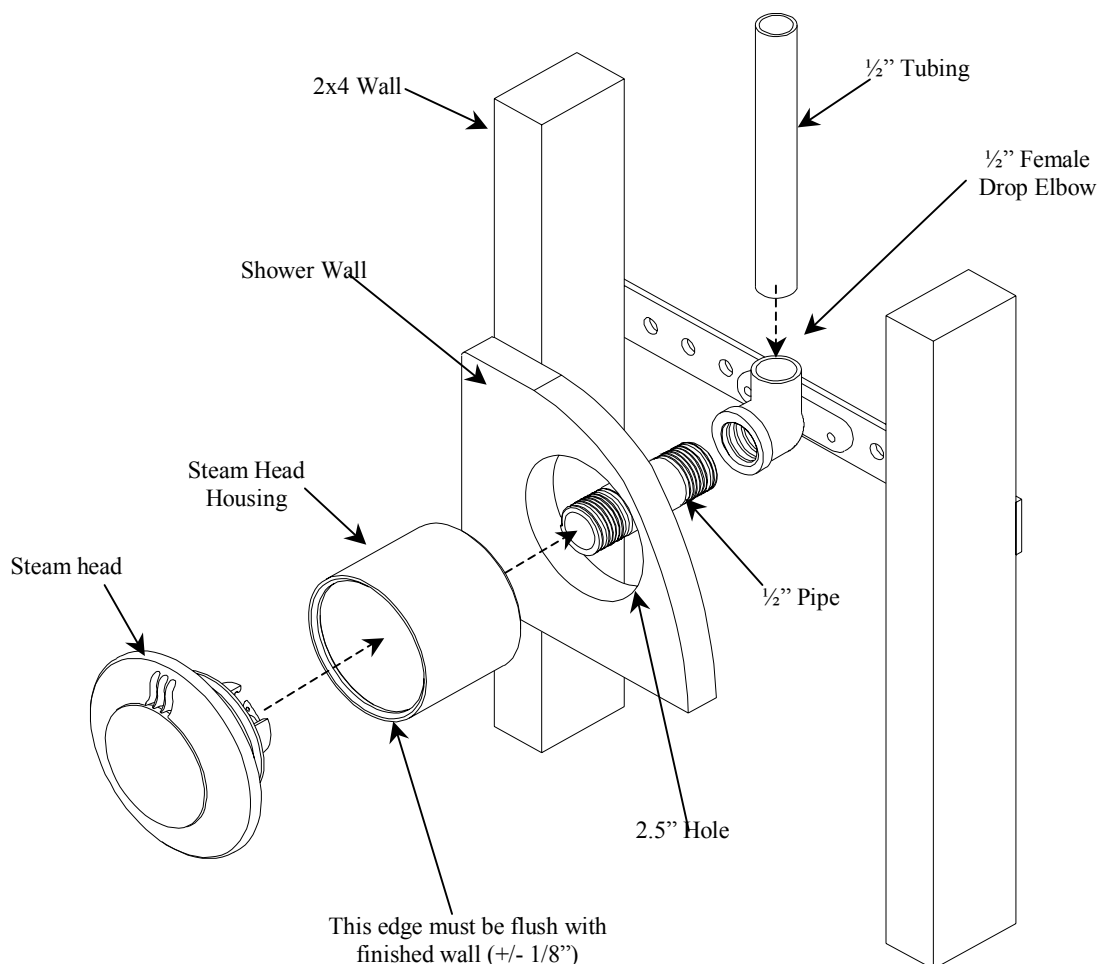


Figure 5

2. Connect a 1/2" NPT brass pipe or tubing to the steam outlet on the generator run the pipe to the 2.5" hole in wall to connect with the steam head housing, use figure 5 as a guide. **It is very important that the pipe is Firmly Secured to the wall, so that when the steam head is installed it doesn't push the housing back into the wall.** The steam line can run up, down, or horizontal; **but cannot run down and then up.** If it does, a steam trap may be produced at the low point blocking the flow of steam. Install a 1/2" drop elbow on the end of the 1/2" pipe or tubing for the steam head housing. For all the connections, use Teflon tape/solder and do not over tighten fittings. **DO NOT USE PVC CEMENT.**

3. Final Installation (steam head): When installing the steam head in to the housing be sure that the aromatherapy fill channels are facing upwards see figure 6. To ensure that no moisture gets behind the steam head and into the wall, place a generous bead of waterproof silicone around the steam head, use the machined groove as a guide. Be sure that within the housing there isn't any debris, and the two O-rings are in place on the steam head. Slide the steam head into the housing until the steam head is tight against the finished wall. You may need to wipe away any excess silicone. Use figure 6 as a reference to these steps.

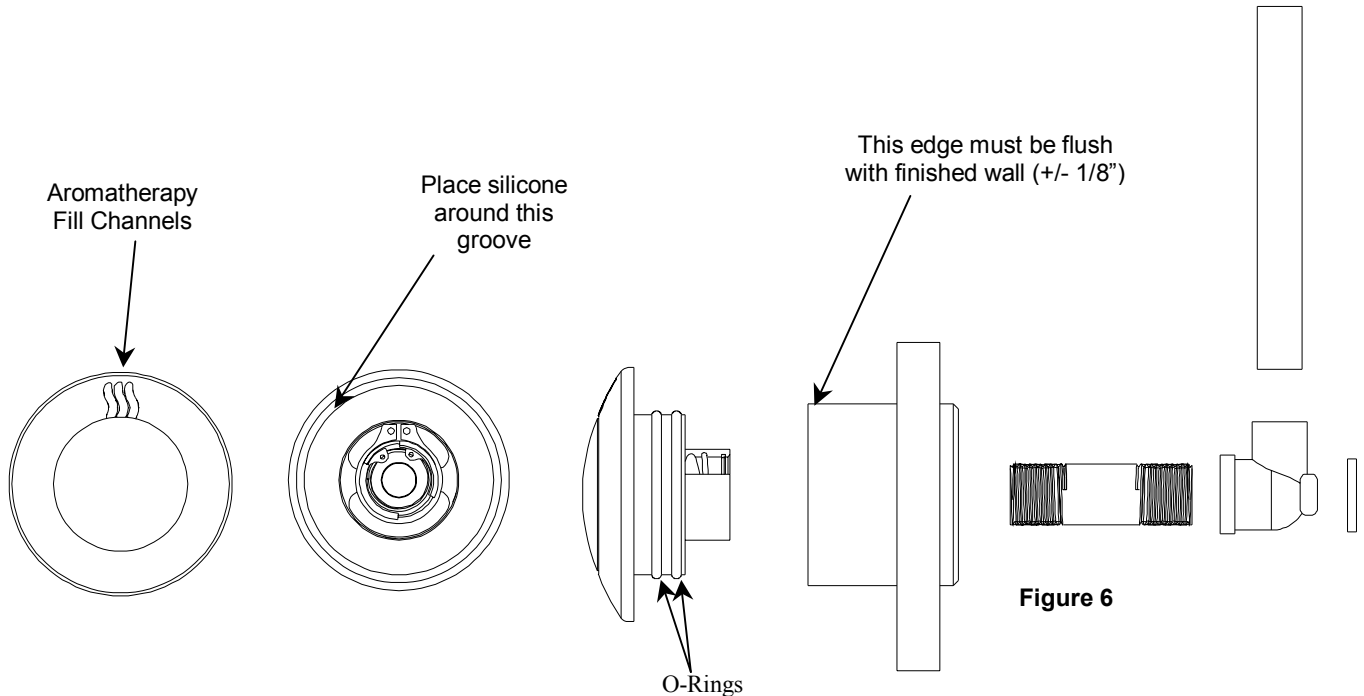


Figure 6

WARNING: Avoid contact with steam head! It will burn you! Avoid direct contact with the steam coming out of the steam head! It is extremely hot and will burn you! Never put Aroma oil in the steam head when the unit is in the on position, or when steam is emitting from the steam head.