



Installation Instructions

PRO SERIES

If you are a plumber installing this unit, please leave this owners manual & warranty card with the owner when you finish the installation.

Thank You!

WARNING

- DO NOT USE THIS PRODUCT UNLESS YOU HAVE CONSULTED YOUR DOCTOR AND RECEIVED WRITTEN PERMISSION TO DO SO. USE OF THIS PRODUCT MAY BE HAZARDOUS TO YOUR HEALTH.
- STEAM IS HOT! DO NOT TOUCH OR GO NEAR THE STEAM HEAD FROM THE TIME THE UNIT IS "ON", UP TO ONE HOUR FROM THE TIME THE UNIT IS OFF. SEVERE BURN WILL OCCUR IF YOU COME IN CONTACT WITH THE STEAM HEAD OR STEAM EMITTING FROM THE STEAM HEAD.
- NEVER ATTEMPT TO FILL AROMA THERAPY RESERVOIR ON THE STEAM HEAD WHEN UNIT IS IN THE "ON" POSITION. SEVERE BURNS WILL OCCUR.
- DO NOT USE THERMASOL AROMA THERAPY OILS OR SKIN CARE PRODUCTS OR ANY PRODUCT IN CONJUNCTION WITH YOUR THERMASOL UNIT WITHOUT CONSULTING WITH YOUR ALLERGIST OR DOCTOR BEFORE USE. THESE PRODUCTS MAY BE HAZARDOUS TO YOUR HEALTH.
- YOUR SHOWER MAY BE A SLIP AND FALL HAZARD CHECK WITH YOUR CONTRACTOR OR TILE MANUFACTURER REGARDING THE SAFE USE OF YOUR FLOORING IN A STEAM APPLICATION. SLIPPING AND FALLING INTO THE STEAM HEAD ITSELF OR INTO THE STREAM OF STEAM EMITTING FROM THE STEAM HEAD WILL CAUSE SERIOUS BURNS, OR PHYSICAL INJURY.

Note: Before contacting Customer Service for Technical Support, please have the model number and serial number (including all numbers and letters) located on the unit.

Headquarters & Technical Support
2255 Union Place, Simi Valley, CA 93065 – (800) 776-0711

Eastern Sales Office
26 Industrial Avenue, Fairview NJ 07022 – (800) 631-1601
www.thermasol.com

Sizing Your Steam room

Sizing: 1. Calculate the total volume of the enclosure. (Length x Width x Height = Total Volume).

2. Using the Volume total, multiply by the number to the right of your shower wall material shown below.

Example: 7 ft. long x 4 ft. wide 7 ft. high = 196 cubic feet
196 cubic ft. x 1.65 (marble) = 323.4 cubic ft. = Model PRO-300 generator.

NOTE: Add 10% for every foot exceeding 7 ft. in ceiling height.
Add 10% for every exterior outside wall.

▪ Fiberglass, Cultured Marble	.65
▪ Corian	No Change
▪ Ceramic tile on waterproof sheetrock, cement bed or mortar bed	No Change
▪ All glass tile, glass block walls	1.35
▪ Natural stone tiles 3/8" to 1/2" (marble, travertine, slate, granite, etc.)	1.65
▪ Natural stone tiles on cement bed or mortal bed	1.65
▪ Natural stone slab 3/4" to 1"	1.85

For further assistance call toll-free 800-776-0711

Generator Installation Instructions

Parts Enclosed

- No Touch steam head housing
- Steam generator
- 50 Foot control cord
- Installation instructions

All ThermaSol steam generators are designed to build **NO PRESSURE** during operation. This is for your safety.

NOTE: Failure to follow installation instructions specifically will cause the warranty to be void.

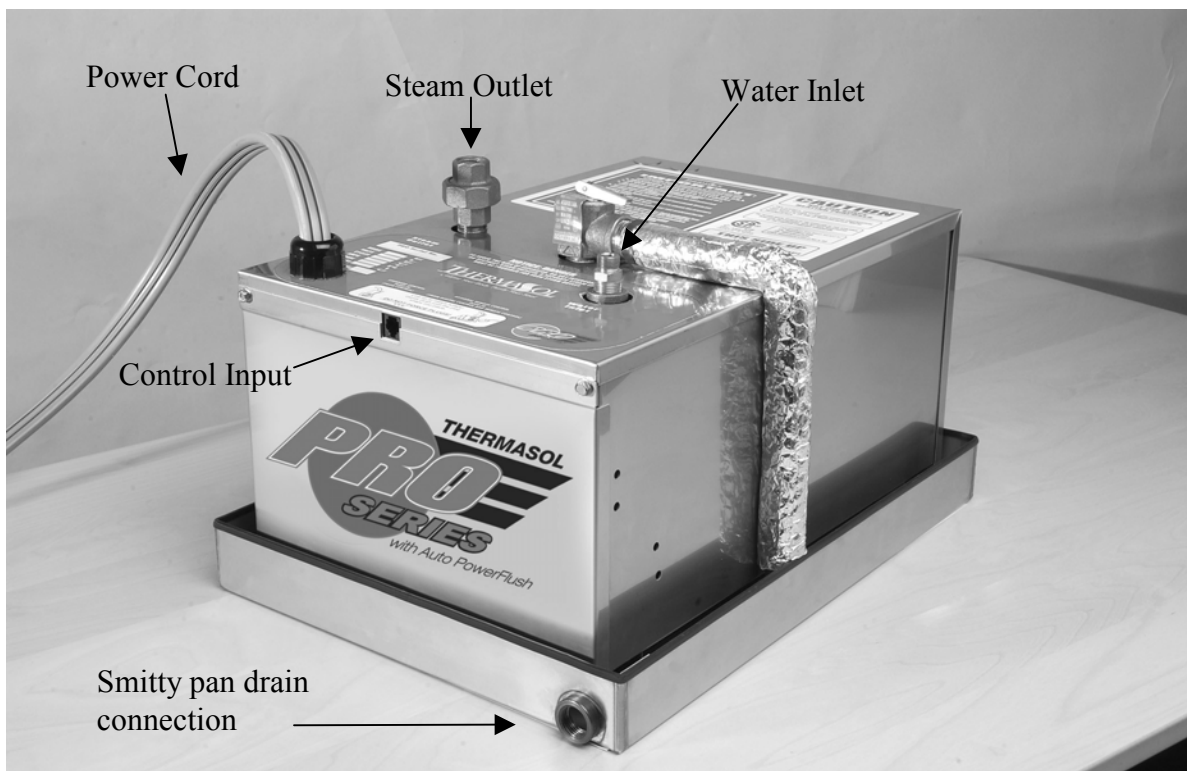


Figure 1

Generator Installation Instructions (continued)

Materials Needed

- Brass ball valve
- Pipe compound
- In-line filter (recommended)
- Wire (PRO-700 only)
- Copper tubing or pipe
- Wire cap nuts (PRO-700 only)
- Flex conduit (PRO-700 only)
- Brass or copper tee connection & plug
- Silicone

Tools Needed

- Pipe wrench
- Tubing cutter
- Wire cutters or wire strippers
- Adjustable wrench
- Screwdrivers (phillips & regular)
- Solder & Flux
- 1" & 1 ¹/₁₆" masonry drill bits
- 2.5" hole saw for No Touch steam head
- Drill motor
- Propane Torch
- Other tools as required

NOTE:

- **Thermasol steam bath generators are for indoor use only. They should never be located outside the home.**
- **Thermasol steam bath generators are NOT designed to be used for space heating purposes.**

WARNING: Please consult your physician before using. If you are pregnant, elderly, have high blood pressure, diabetes, suffering from heart disease, intoxicated, or not in good health, do not use this steam bath.

CONSUMER WARNING

WARNING

DO NOT USE THIS PRODUCT UNLESS YOU HAVE CONSULTED WITH YOUR DOCTOR AND RECEIVED WRITTEN PERMISSION TO DO SO. USE OF THIS PRODUCT MAY BE HAZARDOUS TO YOUR HEALTH.

WARNING

NEVER ATTEMPT TO FILL AROMA RESERVOIR ON THE STEAM HEAD WHEN UNIT IS IN THE ON POSITION. SEVERE BURNS WILL OCCUR.

WARNING

DO NOT USE THERMASOL AROMA THERAPY OILS OR SKIN CARE PRODUCTS OR ANY PRODUCT IN CONJUNCTION WITH YOUR THERMASOL UNIT WITHOUT CONSULTING WITH YOUR ALLERGIST OR DOCTOR BEFORE USE. THESE PRODUCTS MAY BE HAZARDOUS TO YOUR HEALTH.

WARNING

YOUR SHOWER MAY BE A SLIP AND FALL HAZARD CHECK WITH YOUR CONTRACTOR OR FLOORING MANUFACTURER REGARDING THE SAFE USE OF YOUR FLOORING IN A STEAM APPLICATION. SLIPPING AND FALLING INTO THE STEAM HEAD ITSELF OR INTO THE STREAM OF STEAM EMITTING FROM THE STEAM HEAD WILL CAUSE SERIOUS BURNS, OR PHYSICAL INJURY.

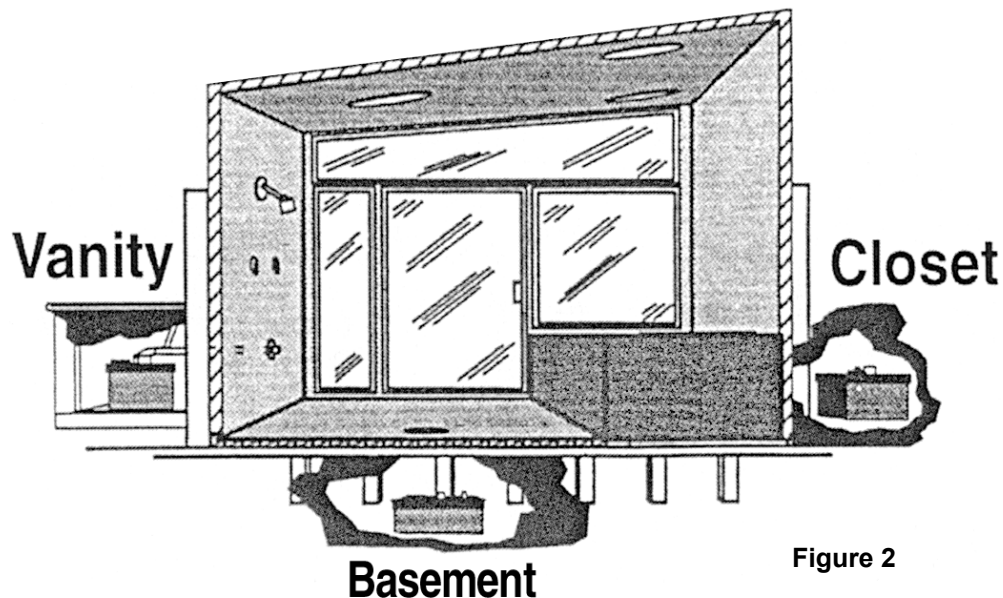
WARNING

STEAM IS HOT! DO NOT TOUCH OR GO NEAR THE STEAM HEAD FROM THE TIME THE UNIT IS “ON”, UP TO ONE HOUR AFTER IT HAS SHUT OFF. SEVERE BURN WILL OCCUR IF YOU COME IN CONTACT WITH THE STEAM HEAD OR STEAM EMITTING FROM THE STEAM HEAD.

Requirements for proper installation

1. Ensure the enclosure to be used is vapor proof. It should have a vapor proof door that seals well so the steam does not escape. Make sure the wall, ceiling and the floor materials are ok to use with steam and hot condensation, the steam produces.
2. Use copper or brass fittings only. **(NEVER USE GALVANIZED FITTINGS)**
3. **The water inlet uses flex hose and steam outlet uses a brass union for easy installation. Install the drain/spill pan under the unit.**
4. The **generator must be upright, accessible and on a level surface** with **all** connections on top. **Access panel must be unobstructed and allow for easy access. See figure 1.**
5. Unit may be installed up to 50 feet away from shower area. In a dry well ventilated area.
6. **Do not** plumb a trap in the steam line or plumb the pressure relief valve into the steam line. **Plumbing the pressure relief valve into the steam line can be hazardous, should the steam outlet be capped off or obstructed.**
7. Pitch steam line back towards generator and **avoid perfectly level plumbed lines.**
8. Before connecting water line to the generator, flush water line into a five-gallon pail to remove any silt or other materials that may be in the line. An in-line water filter is also recommended.
9. Make sure water is turned on to the unit before operating the unit.

NOTE: Failure to follow specific installation instructions will cause the warranty to be void.



Various options for the ThermaSol steam bath generator location.

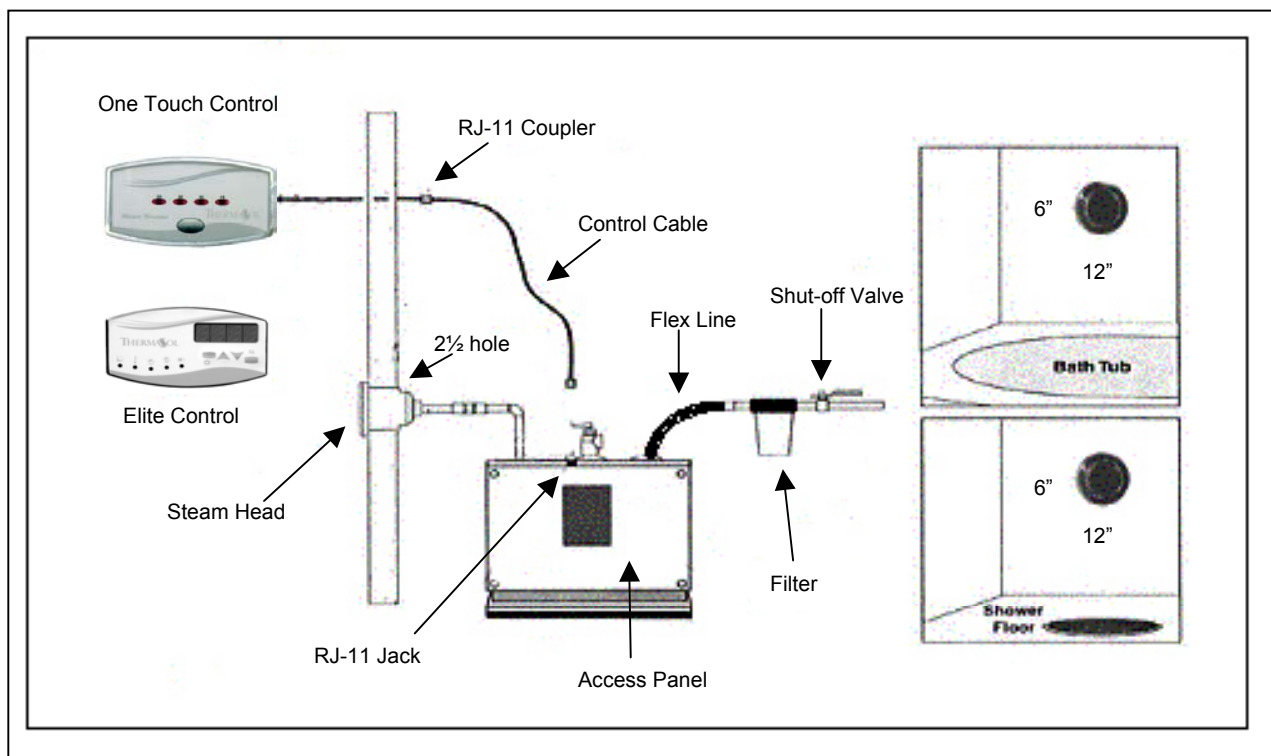
Water Inlet Installation

Refer to figure 3 for the following:

1. Install the smitty pan under the unit. Plumb the connection on it to an approved drain.
2. Connect a tee to the cold water line. Install copper pipe to the tee. An in-line filter is recommended.
3. Install a brass shut-off valve on the water inlet line in an accessible area prior to the recommended in-line water filter.
4. Before making the last connection to the 3/8" flex line going to the unit, flush the water line into a five-gallon pail to remove any silt or other materials that may be in the line.
5. Make the final connection and turn on water. All ThermaSol generators are equipped with an automatic water fill system. The water will stop after unit is filled.
6. The steam line can run up, down, or horizontal; **but cannot run down and then up**. If it does, a steam trap may be produced at the low point blocking the flow of steam. Insulate the steam outlet piping if the piping run exceeds 10 feet or is exposed to cold areas.
NOTE: Use steam rated insulation.

IMPORTANT: MAXIMUM INLET WATER PRESSURE NOT TO EXCEED 50 P.S.I.

WARNING: The steam head is HOT! Do not locate near a seat or bench, hot steam will burn you. Keep at least 12-14 inches away from hot steam exiting the steam head.



NOTE: The generator must be mounted level with all connections on top.

CONSUMER WARNING

WARNING

DO NOT USE THIS PRODUCT UNLESS YOU HAVE CONSULTED YOUR DOCTOR AND RECEIVED WRITTEN PERMISSION TO DO SO. USE OF THIS PRODUCT MAY BE HAZARDOUS TO YOUR HEALTH.

WARNING

STEAM IS HOT! DO NOT TOUCH OR GO NEAR THE STEAM HEAD FROM THE TIME THE UNIT IS “ON”, UP TO ONE HOUR AFTER IT HAS SHUT OFF. SEVERE BURN WILL OCCUR IF YOU COME IN CONTACT WITH THE STEAM HEAD OR STEAM EMITTING FROM THE STEAM.

WARNING

NEVER ATTEMPT TO FILL AROMA RESERVOIR ON THE STEAM HEAD WHEN UNIT IS IN THE ON POSITION. SEVERE BURNS WILL OCCUR.

WARNING

YOUR SHOWER MAY BE A SLIP AND FALL HAZARD CHECK WITH YOUR CONTRACTOR OR FLOORING MANUFACTURER REGARDING THE SAFE USE OF YOUR FLOORING IN A STEAM APPLICATION. SLIPPING AND FALLING INTO THE STEAM HEAD ITSELF OR INTO THE STREAM OF STEAM EMITTING FROM THE STEAM HEAD WILL CAUSE SERIOUS BURNS, OR PHYSICAL INJURY.

WARNING

DO NOT USE THERMASOL AROMA THERAPY OILS OR SKIN CARE PRODUCTS OR ANY PRODUCT IN CONJUNCTION WITH YOUR THERMASOL UNIT WITHOUT CONSULTING WITH YOUR ALLERGIST OR DOCTOR BEFORE USE. THESE PRODUCTS MAY BE HAZARDOUS TO YOUR HEALTH.

Instruction for No Touch steam head

Parts Enclosed

- No Touch Steam head

Steam head

Steam head housing

Material Needed

- Clear Silicone
- 1/2" Drop Elbow
- Other materials as required

Tools Needed

- 1" deep Socket and ratchet
- 2.5" hole cutting tool
- Silicone gun
- Other tools as required

Figure 4

1. Drill a 2.5" diameter hole in the shower wall or wall above the bathtub rim for the steam outlet line. (Figure 3A) CAUTION: The steam head is **hot** and should not be located near a seat or bench! We recommend locating steam head on the fixture wall.

**** Ensure that all Plumbing is Firmly Secured****

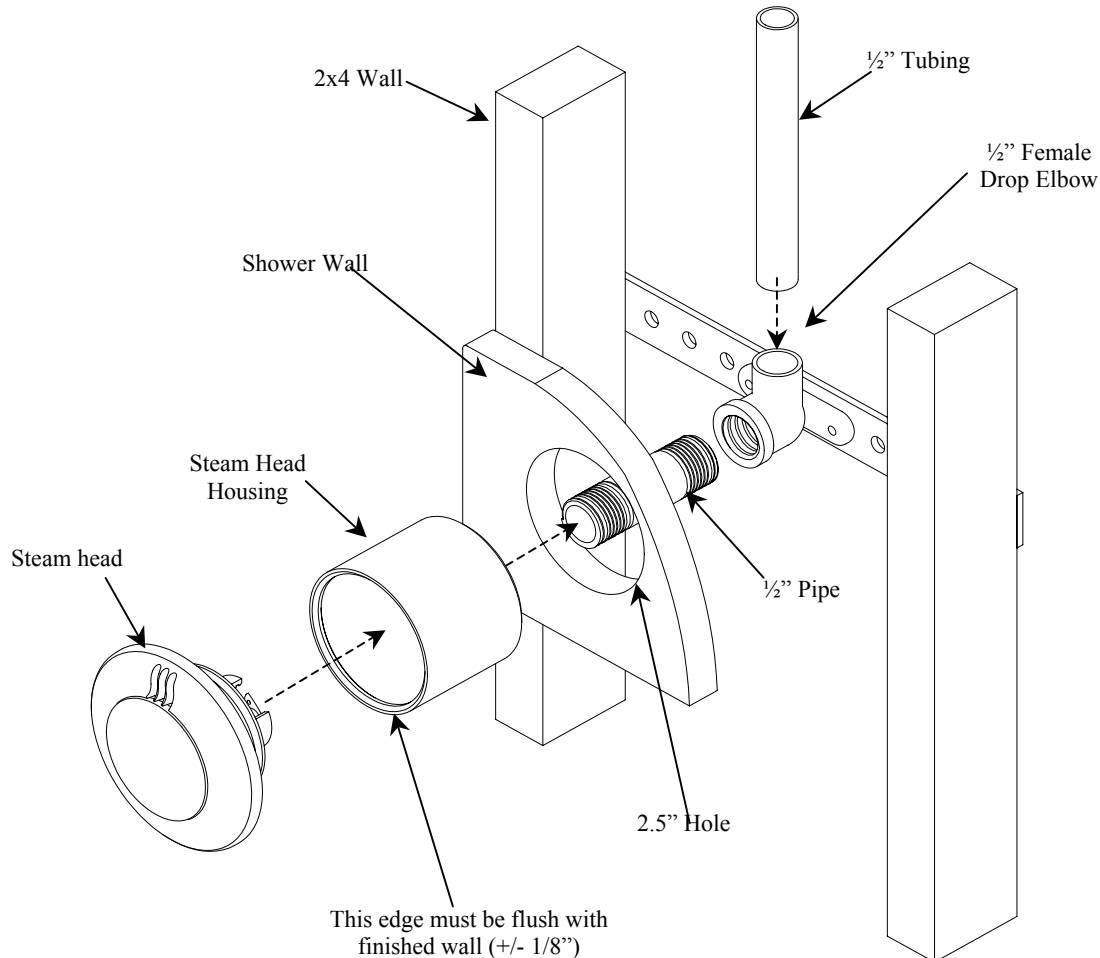
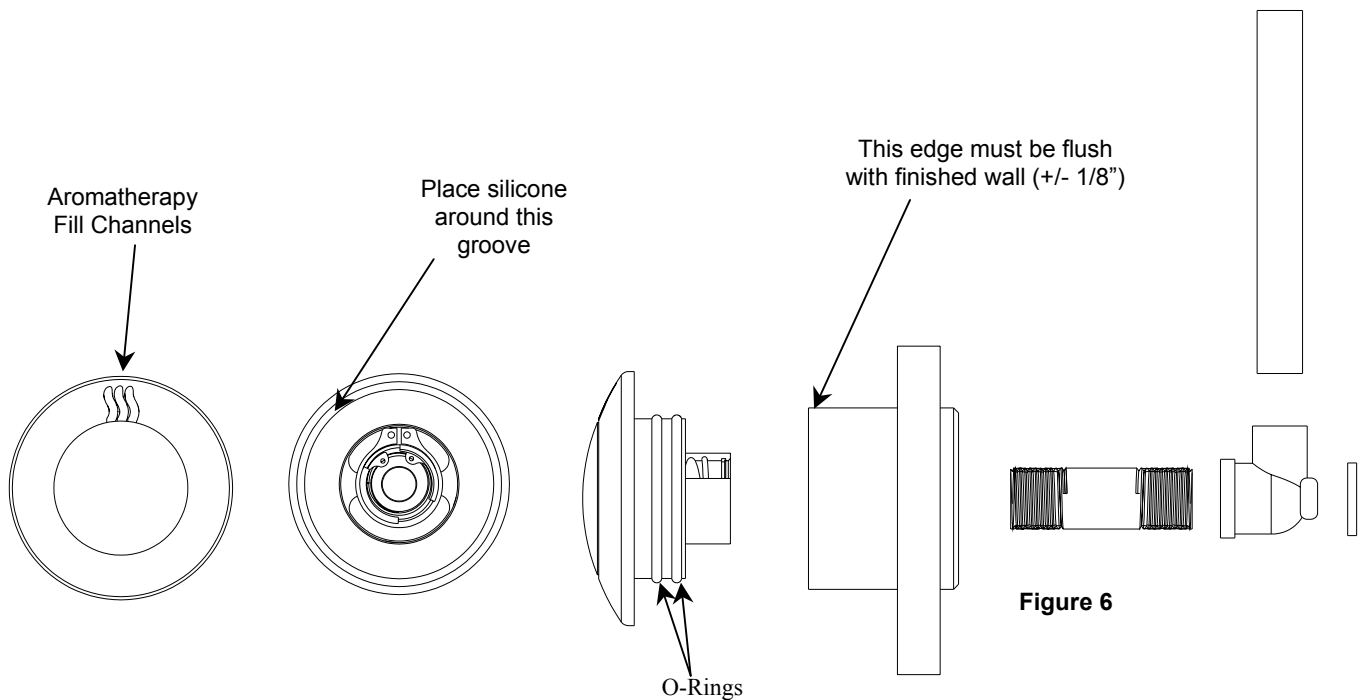


Figure 5

2. Connect a 1/2" NPT brass pipe or tubing to the steam outlet on the generator run the pipe to the 2.5" hole in wall to connect with the steam head housing, use figure 5 as a guide. **It is very important that the pipe is firmly secured to the wall, so that when the steam head is installed it doesn't push the housing back into the wall.** The steam line can run up, down, or horizontal; **but cannot run down and then up.** If it does, a steam trap may be produced at the low point blocking the flow of steam. Install a 1/2" drop elbow on the end of the 1/2" pipe or tubing for the steam head housing. For all the connections, use Teflon tape/solder and do not over tighten fittings. **DO NOT USE PVC CEMENT.**

3. Final Installation (steam head): When installing the steam head in to the housing be sure that the aromatherapy fill channels are facing upwards see figure 6. To ensure that no moisture gets behind the steam head and into the wall, place a generous bead of waterproof silicone around the steam head and into the wall, use the machined groove as a guide. Be sure that within the housing there isn't any debris, and the two O-rings are in place on the steam head. Slide the steam head into the housing until the steam head is tight against the finished wall. You may need to wipe away any excess silicone. Use figure 6 as a reference to these steps.



WARNING: Avoid contact with steam head! It will burn you! Avoid direct contact with the steam coming out of the steam head! It is extremely hot and will burn you! Never put Aroma oil in the steam head when the unit is in the on position, or when steam is emitting from the steam head.

CONSUMER WARNING

WARNING

DO NOT USE THIS PRODUCT UNLESS YOU HAVE CONSULTED YOUR DOCTOR AND RECEIVED WRITTEN PERMISSION TO DO SO. USE OF THIS PRODUCT MAY BE HAZARDOUS TO YOUR HEALTH.

WARNING

STEAM IS HOT! DO NOT TOUCH OR GO NEAR THE STEAM HEAD FROM THE TIME THE UNIT IS “ON”, UP TO ONE HOUR AFTER IT HAS SHUT OFF. SEVERE BURN WILL OCCUR IF YOU COME IN CONTACT WITH THE STEAM HEAD OR STEAM EMITTING FROM THE STEAM.

WARNING

NEVER ATTEMPT TO FILL AROMA RESERVOIR ON THE STEAM HEAD WHEN UNIT IS IN THE ON POSITION. SEVERE BURNS WILL OCCUR.

WARNING

YOUR SHOWER MAY BE A SLIP AND FALL HAZARD CHECK WITH YOUR CONTRACTOR OR FLOORING MANUFACTURER REGARDING THE SAFE USE OF YOUR FLOORING IN A STEAM APPLICATION. SLIPPING AND FALLING INTO THE STEAM HEAD ITSELF OR INTO THE STREAM OF STEAM EMITTING FROM THE STEAM HEAD WILL CAUSE SERIOUS BURNS, OR PHYSICAL INJURY.

WARNING

DO NOT USE THERMASOL AROMA THERAPY OILS OR SKIN CARE PRODUCTS OR ANY PRODUCT IN CONJUNCTION WITH YOUR THERMASOL UNIT WITHOUT CONSULTING WITH YOUR ALLERGIST OR DOCTOR BEFORE USE. THESE PRODUCTS MAY BE HAZARDOUS TO YOUR HEALTH.

Electrical Installation

NOTE: All electrical wiring must be done per National/Local Electrical Codes.

ThermaSol requires that a licensed electrician perform all electrical work.

NOTE: USE COPPER WIRE ONLY.

Wire sizes recommended by National Electric Code. Minimum wire temperature rating 90C.

Generator Model	Wire Gauge	Breaker Size	Cubic Feet	kW	NEMA AC Receptacle
PRO-150	10	30	150	6	10-30R
PRO-300	8	40	300	8	10-50R
PRO-450	8	50	450	10	10-50R
PRO-575	6	50	575	12	10-50R
PRO-700	4	90	700	15	N/A

1. **Turn off all electricity to the working area at the main breaker panel!**
2. Plug the attached power cord into the AC receptacle (PRO-150 - PRO-575).
On the PRO-700, connect 230-volt AC electrical lines to wires labeled 1 & 2 in junction box on the generator and an approved ground to the green safety grounding wire.

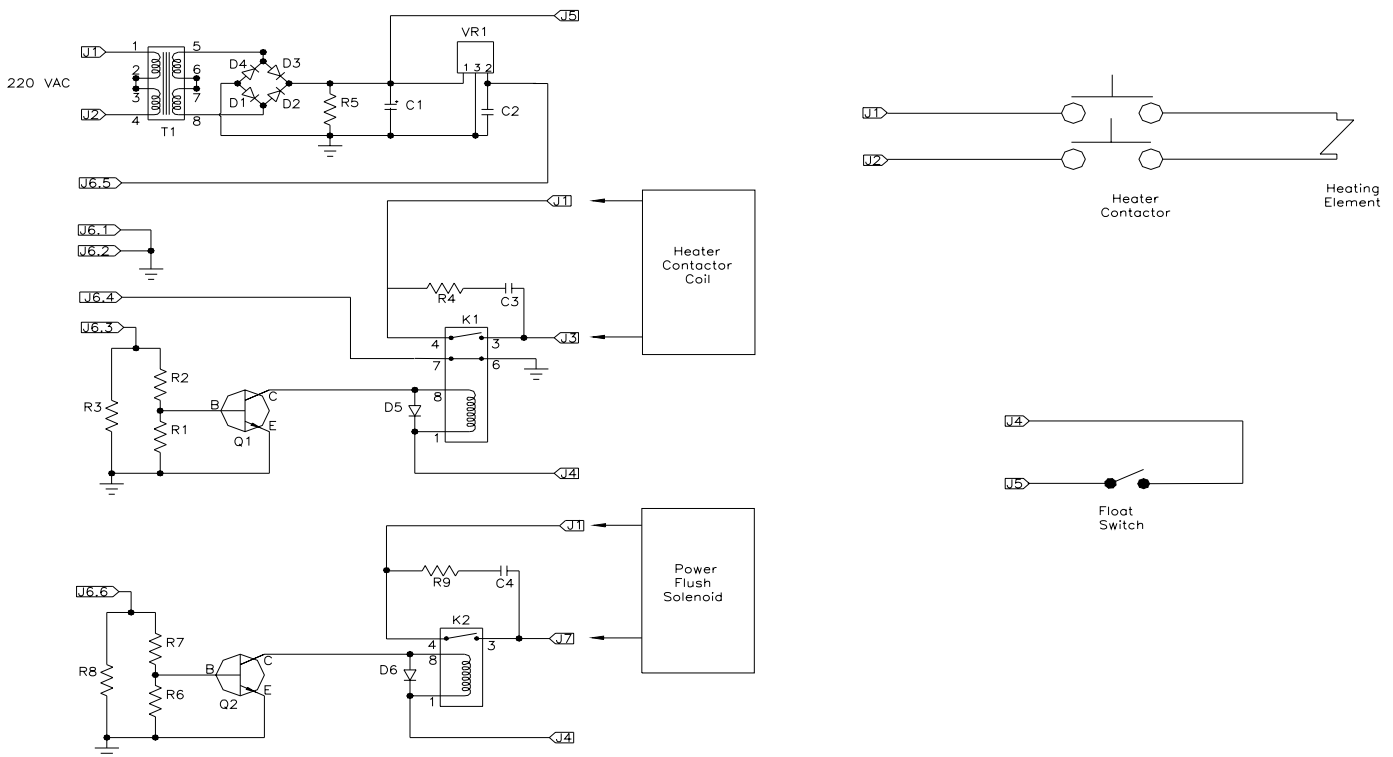


Figure 9
Steam Generator Schematic Diagram

CONSUMER WARNING

WARNING

DO NOT USE THIS PRODUCT UNLESS YOU HAVE CONSULTED YOUR DOCTOR AND RECEIVED WRITTEN PERMISSION TO DO SO. USE OF THIS PRODUCT MAY BE HAZARDOUS TO YOUR HEALTH.

WARNING

STEAM IS HOT! DO NOT TOUCH OR GO NEAR THE STEAM HEAD FROM THE TIME THE UNIT IS “ON”, UP TO ONE HOUR AFTER IT HAS SHUT OFF. SEVERE BURN WILL OCCUR IF YOU COME IN CONTACT WITH THE STEAM HEAD OR STEAM EMITTING FROM THE STEAM.

WARNING

NEVER ATTEMPT TO FILL AROMA RESERVOIR ON THE STEAM HEAD WHEN UNIT IS IN THE ON POSITION. SEVERE BURNS WILL OCCUR.

WARNING

YOUR SHOWER MAY BE A SLIP AND FALL HAZARD CHECK WITH YOUR CONTRACTOR OR FLOORING MANUFACTURER REGARDING THE SAFE USE OF YOUR FLOORING IN A STEAM APPLICATION. SLIPPING AND FALLING INTO THE STEAM HEAD ITSELF OR INTO THE STREAM OF STEAM EMITTING FROM THE STEAM HEAD WILL CAUSE SERIOUS BURNS, OR PHYSICAL INJURY.

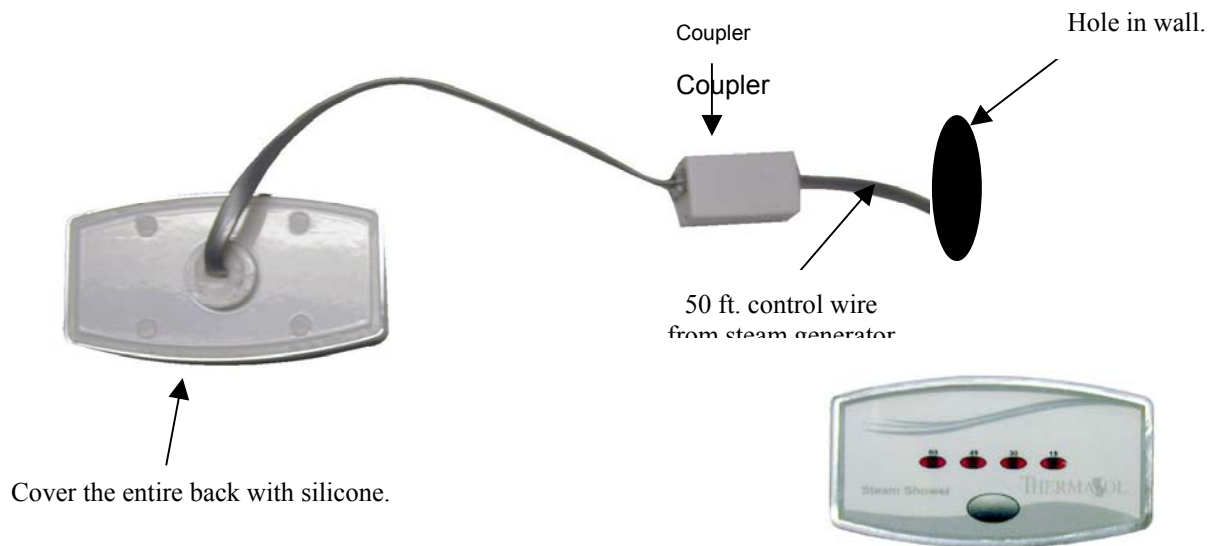
WARNING

DO NOT USE THERMASOL AROMA THERAPY OILS OR SKIN CARE PRODUCTS OR ANY PRODUCT IN CONJUNCTION WITH YOUR THERMASOL UNIT WITHOUT CONSULTING WITH YOUR ALLERGIST OR DOCTOR BEFORE USE. THESE PRODUCTS MAY BE HAZARDOUS TO YOUR HEALTH.

One Touch Installation Instructions

1. The One Touch digital control can be located inside or outside the shower area. **If using the Elite and One Touch combination, refer to their installation instructions now.**
2. Position the touch pad 4 to 6 feet from the floor inside or outside the steam room. Drill one 1-1/16" hole in the wall.
3. Bring the modular cable from the generator through the 1-1/16" hole. Plug the modular connector of the control in to one side of the coupler. Plug the modular connector of the generator in to the other side of the coupler.
Route the cable so that the coupler is located ABOVE the hole in the wall.
DO NOT pinch, nail, staple, wedge etc. the cable.
DO NOT wrap the cable around steam line or otherwise route it in such a manner that the hot steam line could melt the cable.
Any damage to the control cable will result in the control not working properly.
4. **Carefully connect the other end of the lead wire to the generator BEFORE turning power on to the generator.**
5. Turn on both water and power to the generator.
6. Test the control to ensure it is properly connected. If any technical problems arise, call toll-free 800-776-0711.
7. **THESE STEPS MUST BE TAKEN OR YOUR WARRANTY WILL BE VOID.**
Coat the entire control back with supplied waterproof silicon. Completely seal the control to the wall so moisture does not get behind it. Place the control on the wall pressing firmly. You may need to tape the control into place until the silicone dries. Be careful not to harm the wall/control with the tape. Refer to figure 10.
Let dry for 24 hours before using steam bath.
8. Refer to operation instructions for control functions.

Failure to follow installation instructions specifically may cause the warranty to be void!



Installation instructions for the Elite Control

1. The Elite control **MUST** be located inside the shower area.
2. Position the control 4 to 6 feet from the floor inside the steam room.
Drill one 1-¹/₁₆" hole in the wall.
9. Bring the modular cable from the generator through the 1-1/16" hole. Plug the modular connector of the control in to one side of the coupler. Plug the modular connector of the generator in to the other side of the coupler.
Route the cable so that the coupler is located ABOVE the hole in the wall.
DO NOT pinch, nail, staple, wedge etc. the cable.
DO NOT wrap the cable around steam line or otherwise route it in such a manner that the hot steam line could melt the cable.
Any damage to the control cable will result in the control not working properly.
3. Carefully connect the other end of the modular cable to the generator before turning power on to the generator.
4. Turn on both water and power to the generator.
5. Test the control to ensure it is properly connected. If any technical problems arise, call toll free 800-776-0711.
6. **THESE STEPS MUST BE TAKEN OR YOUR WARRANTY WILL BE VOID.** Coat the entire control back with supplied waterproof silicon. Completely seal the control to the wall so moisture does not get behind it. Place the control on the wall pressing firmly. You may need to tape the control into place until the silicone dries. Be careful not to harm the wall/control with the tape. Refer to figure 10. **Let dry for 24 hours before using steam bath.**
7. Refer to operation instructions for control functions.

Failure to follow installation instructions specifically may cause the warranty to be void!

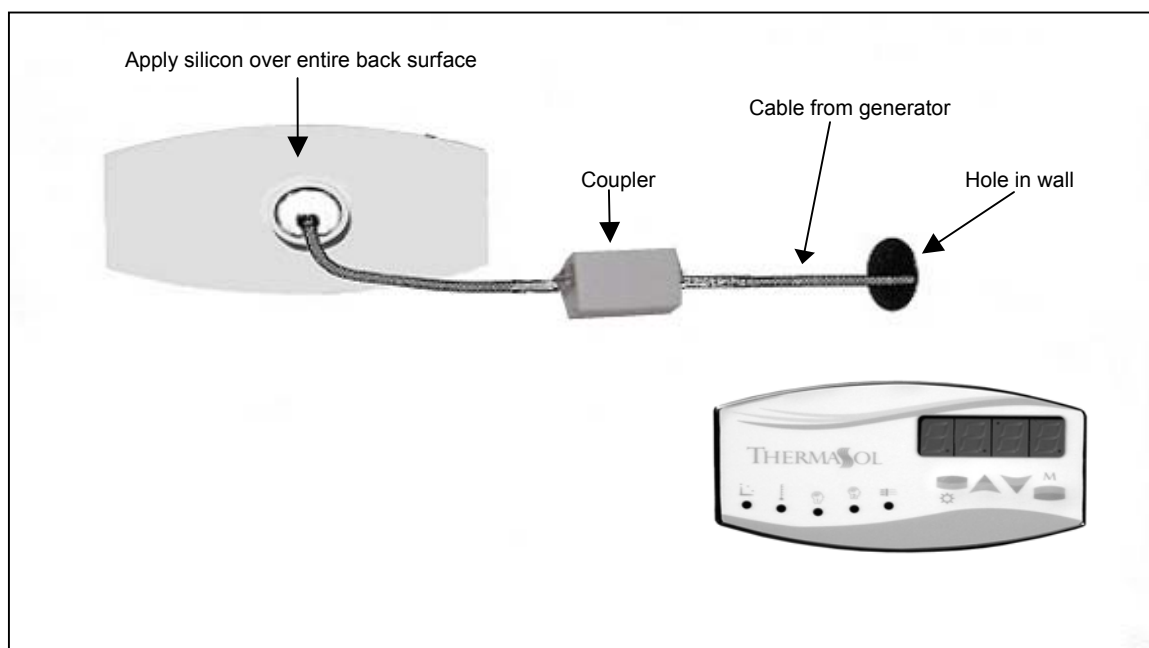


Figure 10

Installation instructions for Elite/One Touch Combination

WARNING: Power to the generator MUST be off prior to connecting any control.

1. Locate a desired location for the Elite control **INSIDE** of the shower area Refer to “installation instructions for the Elite control” for how to mount control in shower area.
2. Locate a desired location for the One Touch control **OUTSIDE** of the shower area. Refer to the “installation instructions for the One Touch control” for how to mount control.
3. Connect supplied phone jack splitter to the steam generator. Refer to the graphic on page 2 “Control cable wire plug-in”.
4. Run cables from the controls to the steam generator and carefully connect to the phone jack splitter just installed to the generator. Either control cable can connect to either of the two plugs.
5. **Route the cable so that the coupler is located ABOVE the hole in the wall. DO NOT pinch, nail, staple, wedge etc. the cable. DO NOT wrap the cable around steam line or otherwise route it in such a manner that the hot steam line could melt the cable. Any damage to the control cable will result in the control not working properly.**

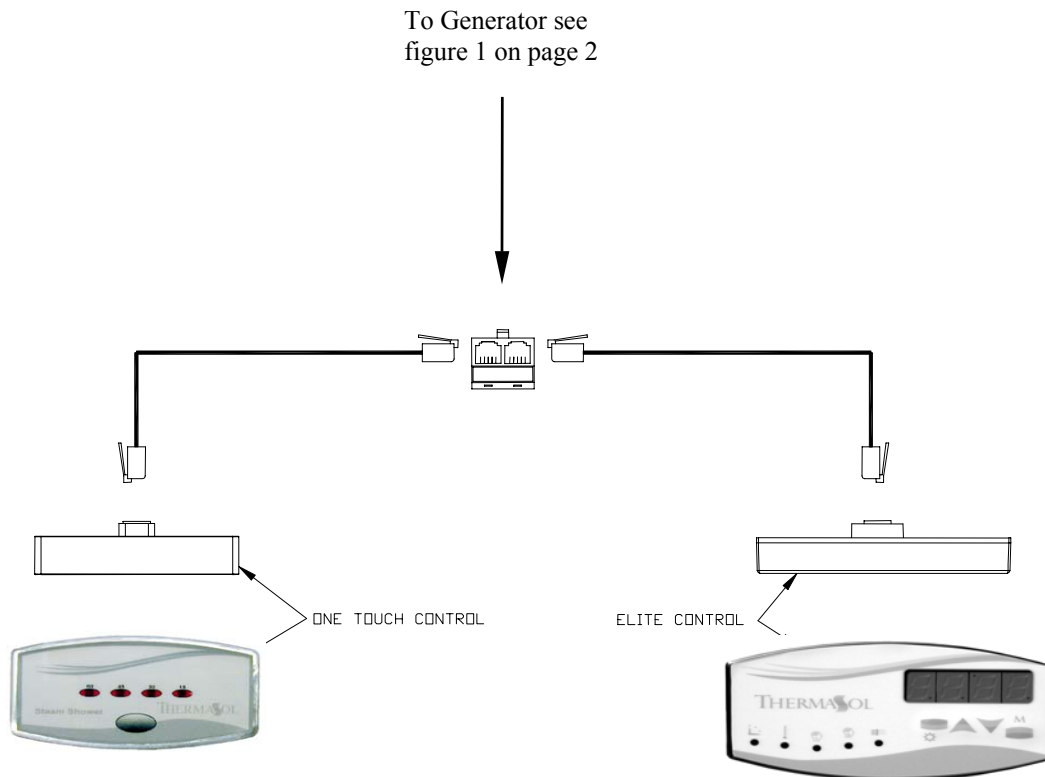


Figure 12

CONSUMER WARNING

WARNING

DO NOT USE THIS PRODUCT UNLESS YOU HAVE CONSULTED YOUR DOCTOR AND RECEIVED WRITTEN PERMISSION TO DO SO. USE OF THIS PRODUCT MAY BE HAZARDOUS TO YOUR HEALTH.

WARNING

STEAM IS HOT! DO NOT TOUCH OR GO NEAR THE STEAM HEAD FROM THE TIME THE UNIT IS “ON”, UP TO ONE HOUR AFTER IT HAS SHUT OFF. SEVERE BURN WILL OCCUR IF YOU COME IN CONTACT WITH THE STEAM HEAD OR STEAM EMITTING FROM THE STEAM.

WARNING

YOUR SHOWER MAY BE A SLIP AND FALL HAZARD CHECK WITH YOUR CONTRACTOR OR FLOORING MANUFACTURER REGARDING THE SAFE USE OF YOUR FLOORING IN A STEAM APPLICATION. SLIPPING AND FALLING INTO THE STEAM HEAD ITSELF OR INTO THE STREAM OF STEAM EMITTING FROM THE STEAM HEAD WILL CAUSE SERIOUS BURNS, OR PHYSICAL INJURY.

WARNING

NEVER ATTEMPT TO FILL AROMA RESERVOIR ON THE STEAM HEAD WHEN UNIT IS IN THE ON POSITION. SEVERE BURNS WILL OCCUR.

WARNING

DO NOT USE THERMASOL AROMA THERAPY OILS OR SKIN CARE PRODUCTS OR ANY PRODUCT IN CONJUNCTION WITH YOUR THERMASOL UNIT WITHOUT CONSULTING WITH YOUR ALLERGIST OR DOCTOR BEFORE USE. THESE PRODUCTS MAY BE HAZARDOUS TO YOUR HEALTH.

Elite/One Touch combination Operation Instructions



WARNING: Please consult your physician before using. If you are pregnant, elderly, have high blood pressure, diabetes, suffering from heart disease, intoxicated, or not in good health, do not use this steam bath.

1. The Elite control functions will remain the same but the **One Touch acts ONLY as an on/off switch**. Refer to the Elite operation instructions, which are included with the control.
2. When the One Touch is turned on, it sends a signal to the Elite turning it on and loading the last time and temperature settings. The One Touch will display the corresponding time.
3. When the Elite is turned on, it will operate like normal but will send a signal to the One Touch turning it on and display the current time setting.

NOTE: When Auto Power Flushing the steam generator this operation can only be done from the Elite Control.

WARNING: IT IS IMPORTANT THAT NO ONE BE INSIDE THE SHOWER ENCLOSURE DURING THE POWERFLUSH CLEANING CYCLE. IT IS ALSO IMPORTANT THAT THE ENCLOSURE DOOR BE CLOSED DURING THIS CYCLE.

WARNING Exit shower area once the powerflush is started, hot water from steam head can burn you. Keep the steam door on the enclosure closed during this cycle.

Headquarters & Technical Support
2255 Union Place, Simi Valley, CA 93065 – (800) 776.0711

Eastern Sales Office
26 Industrial Avenue, Fairview, NJ 07022 – (800) 631.1601