

# POWER PAK-2

Commercial Steambath Generator  
Dual Independent  
480V, 3 phase

- Designed to build NO STEAM PRESSURE

## PLUMBING INSTALLATION

### TURN OFF WATER MAIN BEFORE INSTALLATION

You will need:

- 3/8-in. npt brass or copper union for water feeder inlet
- 1 in. npt brass or copper nipple for each steam outlet
- 1 in. npt brass or copper union for each steam outlet
- 1 in. npt copper piping (up to 50 linear ft. from the steam head)

Note: Failure to follow instructions will void warranty.

1. Install a union on both water feeder inlet and steam outlet for easy removal.  
Use copper or brass fittings only.
2. The generator must be upright, accessible and on a level surface.
3. Connect 3/8-in. union to your water line. Connect to cold water if a water filter (recommended) is to be used.
4. Run a 1-in. npt pipe from the union to the each steamhead location. Do not plumb a trap in the steam line. This will cause inconsistent steam flow. To allow condensation to flow back to the generator, the steam line should be inclined up towards the steamhead.

## STEAMHEAD LOCATION

### WARNING: STEAMHEAD IS HOT. SHOULD NOT BE LOCATED NEAR SEAT OR BENCH.

Drill a 1-1/2 in. dia. hole in the shower wall, 12 in. above the floor or on wall 6 in. above the bathtub. Minimum distance from corner wall is 6 in.

*Steam outlet should always point downward.* If shower floor is made from acrylic or non-heat resistant material, the steamhead should be installed 20 to 30 in. above the floor.

## ELECTRICAL CONNECTION

### TURN OFF POWER AT MAIN BREAKER PANEL BEFORE DOING ANY CONNECTIONS.

Use wire size recommended by National Electric Code, 90°C min. temp. Rating.

For model 1500: 50A breaker, 8 AWG wire

For model 1200: 40A breaker, 8 AWG wire

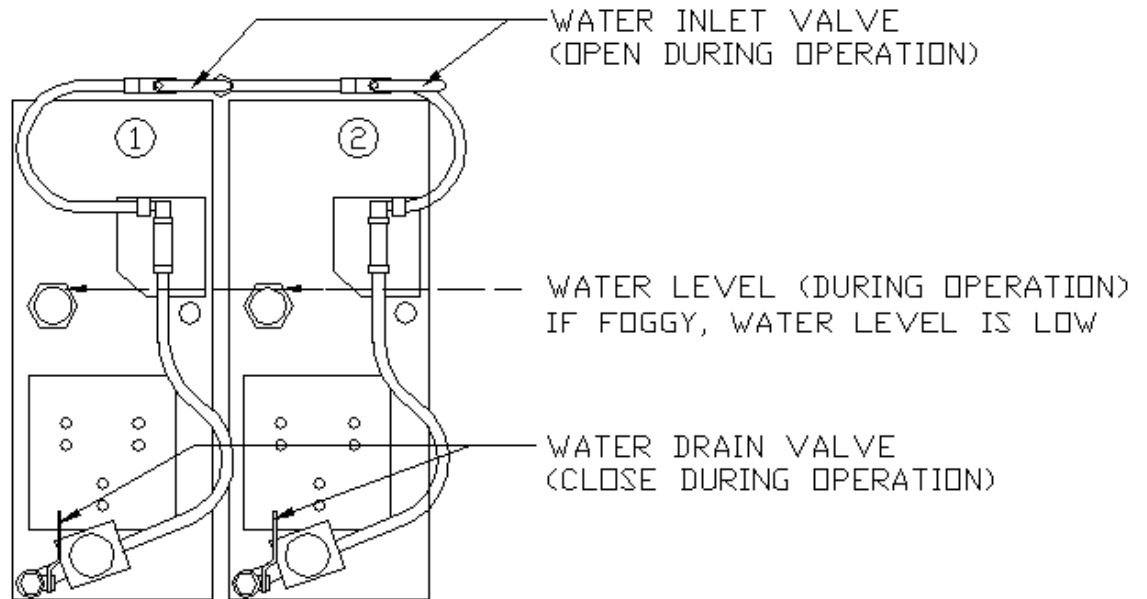
For model 900: 40A breaker, 8 AWG wire

For model 600: 30A breaker, 8 AWG wire

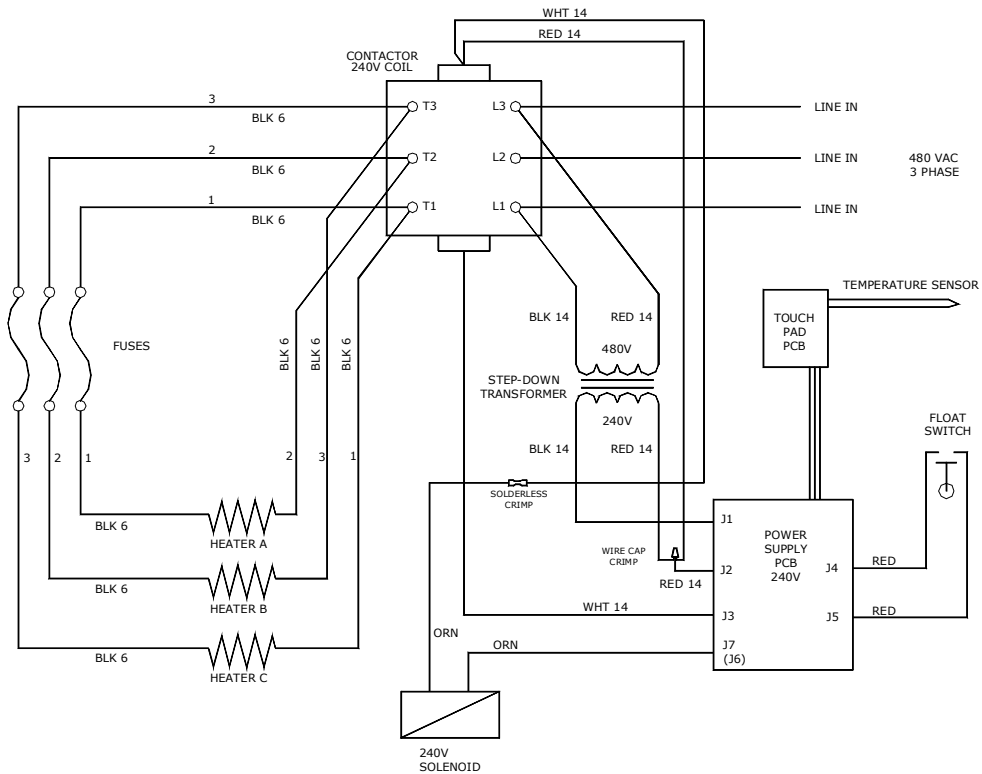
1. Open the top of the powerpak to hook up your line input.
2. Remove the connection (wire nuts) of the two sensors from the touch pad.
3. Locate each sensor on a desired wall location (near bathers) inside each shower room.
4. Drill  $\frac{3}{4}$ " hole in the wall and insert the cable through it.
5. Connect the other end of cable to its respective touch pad on the steam generator.
6. Connect line input to 480VAC source.
7. Turn on water main and power before testing the unit.

# OPERATION

Refer to the main manual for programming operation.



IF FOR SOME REASON YOUR STEAM GENERATOR IS LOW ON WATER, THE STEAM UNIT WILL SHUT DOWN AND A SERVICE ICON ON TOUCH PAD WILL FLASH ON AND OFF. TURN OFF YOUR MAIN BREAKER AND MAKE SURE YOUR STEAM UNIT HAS ADEQUATE WATER LEVEL MEANING WATER LEVEL SWITCH IS SUBMERGED. ONCE CORRECTED, TURN ON MAIN BREAKER AND TURN ON THE STEAM GENERATOR.



Manufactured by THERMASOL STEAMBATH CO. 2255 Union Pl. Simi Valley, CA 93065 U.S.A.

# **CONSUMER WARNING**

## **WARNING**

**DO NOT USE THIS PRODUCT UNLESS YOU HAVE CONSULTED WITH YOUR DOCTOR AND RECEIVED WRITTEN PERMISSION TO DO SO. USE OF THIS PRODUCT MAY BE HAZARDOUS TO YOUR HEALTH.**

## **WARNING**

**NEVER ATTEMPT TO FILL AROMA RESERVOIR ON THE STEAM HEAD WHEN UNIT IS IN THE ON POSITION. SEVERE BURNS WILL OCCUR.**

## **WARNING**

**DO NOT USE THERMASOL AROMA THERAPY OILS OR SKIN CARE PRODUCTS OR ANY PRODUCT IN CONJUNCTION WITH YOUR THERMASOL UNIT WITHOUT CONSULTING WITH YOUR ALLERGIST OR DOCTOR BEFORE USE. THESE PRODUCTS MAY BE HAZARDOUS TO YOUR HEALTH.**

## **WARNING**

**YOUR SHOWER MAY BE A SLIP AND FALL HAZARD CHECK WITH YOUR CONTRACTOR OR FLOORING MANUFACTURER REGARDING THE SAFE USE OF YOUR FLOORING IN A STEAM APPLICATION. SLIPPING AND FALLING INTO THE STEAM HEAD ITSELF OR INTO THE STREAM OF STEAM EMITTING FROM THE STEAM HEAD WILL CAUSE SERIOUS BURNS, OR PHYSICAL INJURY.**

## **WARNING**

**STEAM IS HOT! DO NOT TOUCH OR GO NEAR THE STEAM HEAD FROM THE TIME THE UNIT IS “ON”, UP TO ONE HOUR AFTER IT HAS SHUT OFF. SEVERE BURN WILL OCCUR IF YOU COME IN CONTACT WITH THE STEAM HEAD OR STEAM EMITTING FROM THE STEAM HEAD.**