



Installation Instructions

# **POWER PAK Series**

## **Owners Manual**

**If you are a plumber installing this unit, please leave this owner's manual & warranty card with the owner when you finish the installation**

*Thank You!*

**Headquarters & Technical Support**  
2255 Union Place, Simi Valley, CA 93065 – (800) 776.0711

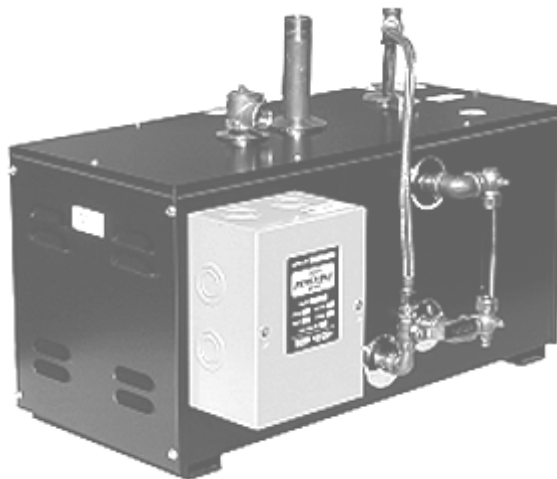
# Generator Installation Instructions

## Parts Enclosed

- ◆ Steam generator / built-in control
- ◆ Steam room sensor & 25 foot Lead wire
- ◆ Polished chrome steamhead

## Materials Needed

- ◆ Brass ball valve
- ◆ Pipe compound
- ◆ Copper or brass nipples
- ◆ (Size and quantities per Instructions)
- ◆ In-line filter (recommended)
- ◆ 3/8" brass or copper union
- ◆ Wire (sizes and quantities per Instructions)
- ◆ Copper tubing or pipe
- ◆ Wire cap nuts
- ◆ Flex conduit
- ◆ Brass or copper tee
- ◆ Connection & plug



## Tools Needed

- ◆ Pipe wrench
- ◆ Tubing cutter
- ◆ Flaring tool (if flared fittings Are used)
- ◆ Pipe thread cap
- ◆ Wire cutters or wire strippers
- ◆ Adjustable wrench
- ◆ Screwdrivers ( Philips & Regular)
- ◆ Solder & Flux
- ◆ 3/16" & 1.5" masonry drill bits
- ◆ Drill motor
- ◆ Propane Torch
- ◆ Other tools as required

All Thermasol steam generators are designed to **Build NO PRESSURE** during operation. This Is for your safety.

### NOTE:

Failure to follow instructions specifically Will cause warranty to be void.

# Requirements for proper installation

1. Use copper or brass fittings only. **(NEVER USE GALVANIZED FITTINGS)**
2. The water inlet, steam outlet and pressure relief valve, need brass unions for easy removal.
3. The **generator must be upright, accessible and on a level surface** with **all** connections on the back. **Access panel on top and front must be unobstructed and allow for easy access.**
4. Unit may be installed up to 50 feet away from shower area.
5. **Do not** plumb a trap in the steam line or plumb the pressure relief valve into the steam line.
6. Pitch steam line back towards generator and **avoid perfectly level plumbed lines.**
7. Before connecting water line to the generator, flush water line into a five-gallon pail to remove any silt or other materials that may be in the line. A Thermasol in-line water filter is recommended.
8. Make sure water us turned on to unit and the **PowerFlush handle is in the closed position** before operating the unit.

**Caution: If the unit is run without water, serious damage may result! This possible damage is not covered under Thermasol's limited warranty.**

**Note:** Failure to follow specific installation instructions will cause the warranty to be void.

## Water Inlet

1. Connect tee to the hot or cold water line. Install copper pipe or tubing to the tee. If an in-line filter is to be installed on the water line to the generator, (which is suggested), it would be preferable to install the tee on the cold water line.
2. Install a brass shut-off valve on the water inlet line in an accessible area prior to the brass union and recommended in-line water filter.
3. Before making the last connection to the 3/8" water inlet line coming to the unit, flush the water line into a five-gallon pail to remove any silt or other materials that may be in the line.
4. Make the final connection and turn on water. All Thermasol generators are equipped with an automatic water fill system. The water will stop after unit is filled. **Make sure the Power Flush is in the closed position.**

**IMPORTANT: MAXIMUM WATER PRESSURE 70 P.S.I.**

# Steamhead Installation

1. Drill a 7/8" diameter hole in the shower wall or wall for the steam outlet line. Refer to **figure 2a** as a guide for the proper location of the hole.

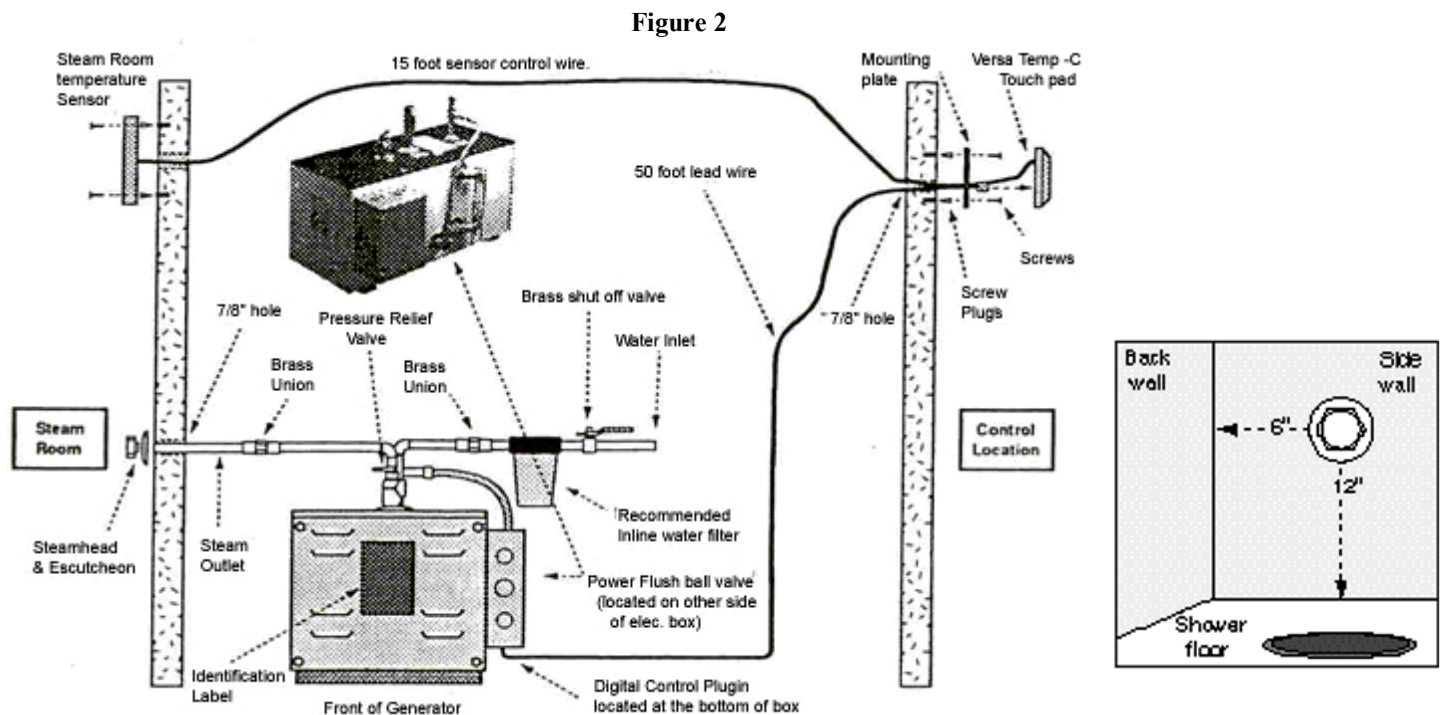
◆ **Caution: The steamhead is hot! And should not be located near a seat or bench!**

2. Connect 1" F.I.P. copper pipe or copper tubing and 1" brass union onto the steam outlet. Run a 1" copper pipe from the union to the 7/8" hole in wall. Install a 1" M.I.P. on the end of the 1" pipe for the steamhead.

3. Attach the steamhead and escutcheon to the copper pipe.

**CAUTION: Do not obstruct the steam line with any shut-off valves, plugs or caps. ALL Thermasol steam generators are designed to build NO PRESSURE.**

- ◆ The steam line can run up, down, or horizontal; but cannot run down and then up. If it does, a steam trap will be produced at the low point blocking the flow of steam. Insulate the steam outlet piping if the piping run exceeds 10 feet or is exposed to cold areas. **NOTE: Use steam rated insulation.**



**Figure 2a**

# Electrical Instruction

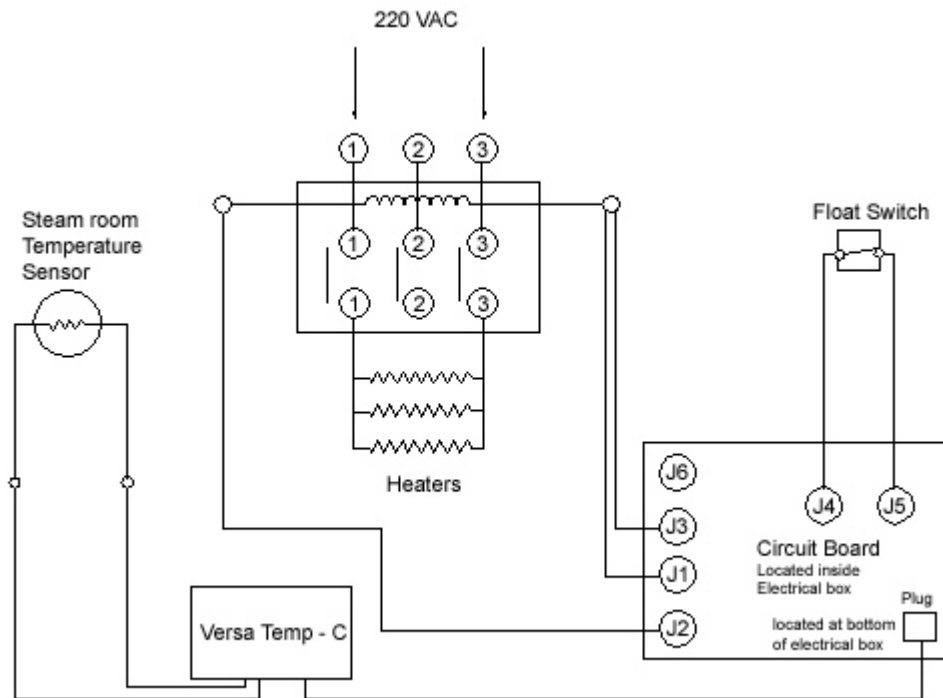
NOTE: All electrical wiring must be done per local electrical codes.

*Wire sizes recommended by National Electric code. Minimum wire temperature rating 90C.*

Generator Model	Phase	Wire Gauge	Breaker Size	kW
195	1	2	125	24

1. Turn off all electricity to the working area at the main breaker panel.
2. Connect **220-volt A.C.** electrical lines to wire labeled 1 and 3 in junction box on generator. (see figure 3)

*Instructions continue on page 6.*

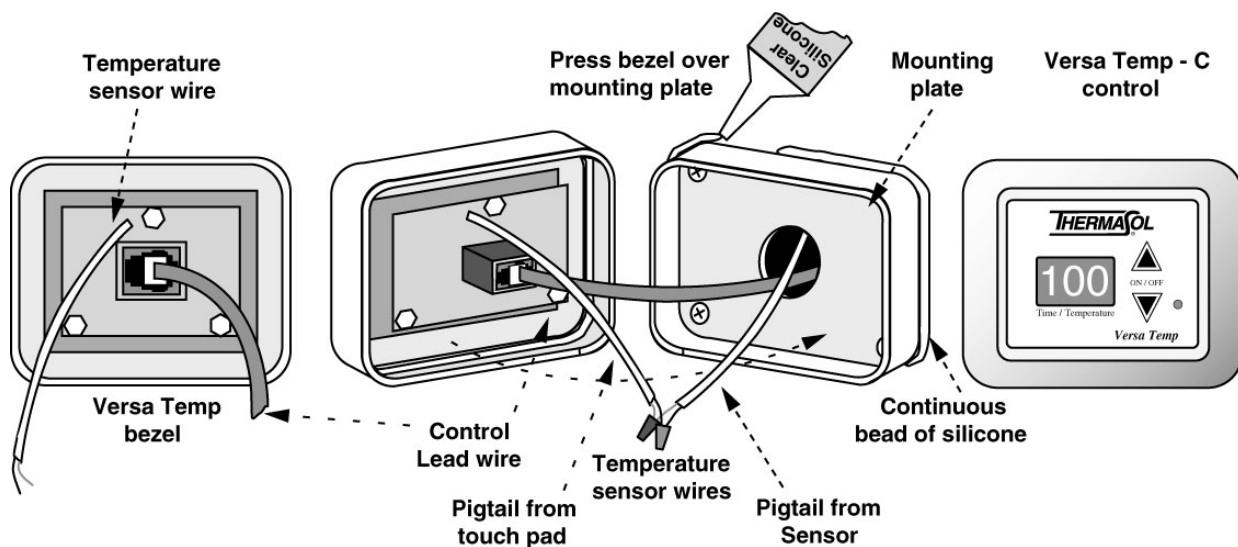


**Figure 3**  
Wire Diagram

3. Install the temperature control sensor with bulb guard in the steam room approximately 5 feet above the floor. See **figure 2**. Bring the control sensor wire to the chosen location of your Versa Temp – C digital control. See **figure 2**.
4. Position the touch pad outside the steam room in a location where only the staff will have access. Use the mounting plate as a template to drill four 3/16" holes and one 7/8" hole in the wall. See figure 2.
5. Insert the four screw plugs into the 3/16" holes. And cut them with a razor blade so that they are flush with the wall.
6. Coat the back mounting plate with a thin layer of clear silicone and attach to the wall with the screws provided.
7. Bring the sensor control wire which is attached to the back of the temperature control sensor through the 7/8" hole in the center of the mounting plate and connect to control wires attached to back of touch pad using 2 wire connectors.
8. Bring the lead wire from the generator through the same 7/8" hole location in the center of the mounting plate. Carefully connect the lead wire to the touch pad.
9. Carefully connect the other end of the lead wire to the bottom of the electrical box located on the side of the generator.
10. Turn on both water and power to the generator.
11. Test the touch pad to ensure it is working properly.
12. Put a continuous bead of silicone around the rim of the digital control mounting plate bezel. Refer to figure 4. Press the bezel over the mounting plate until it touches flush against the wall.  
**Remove any excess silicone and let dry for 24 hours before using steam bath.**

**Should you need to tape the touch pad in place while it dries, be careful not to mar the wall or touch pad surface.**

**Failure to follow installation instructions specifically may cause the warranty to be void!**



**Figure 4.**

## Operating the Versa Temp - C

1. Turn on the Versa Temp – C by pressing both arrows simultaneously and holding them until the display shows 100 degrees. See the figure 5.
2. To adjust the temperature, use either the up or down arrows.
3. To turn off the unit, press both arrows simultaneously and hold until the unit is shut off. The last temperature setting used will automatically be stored in the Versa Temp – C memory.
4. The Versa Temp – C is equipped with a Diagnostic feature. If there is a malfunction within the unit, it will alert you by flashing a wrench icon. If this occurs, call our Tech. Dept. at (800) 585-STEAM for further assistance. See figure 6.

Figure 5

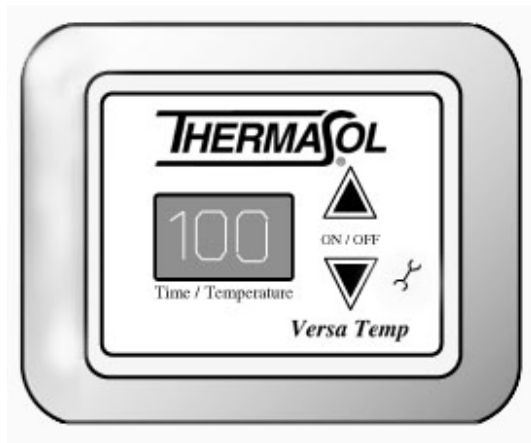
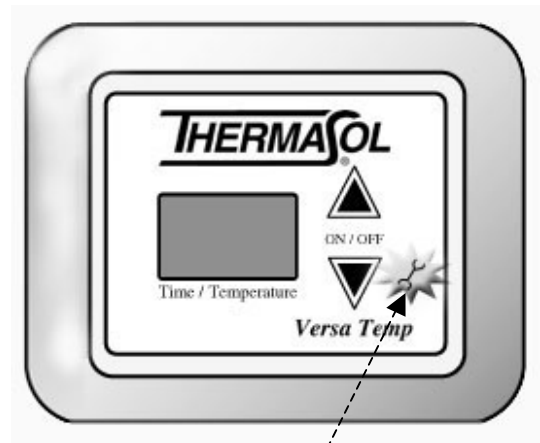


Figure 6



If diagnostic flashes,  
Call (800) 585-STEAM  
for assistance.

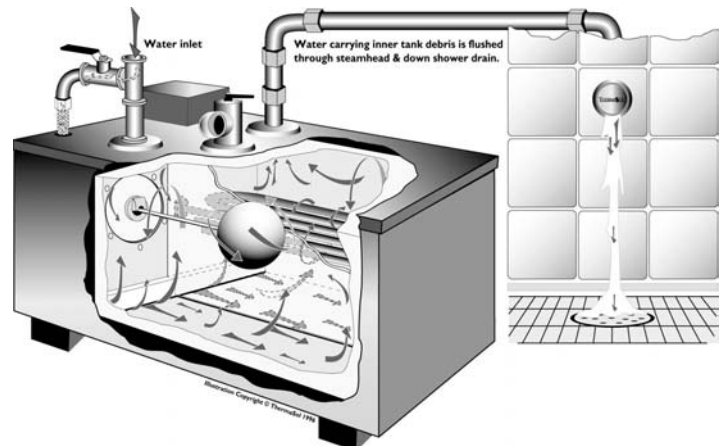
### Power Flush

(True inner tank cleaning)

**Be sure no one is in the shower area during this cycle!**

1. Set the time on the Versa Temp- C to 45 minutes.
2. Turn PowerFlush handle to on position for 5 minutes.
3. Turn off PowerFlush handle at the end of 5 minutes and let the generator run for the remainder of the cycle.

- ◆ Use of the Powerflush will vary according to local water conditions... speak with your plumber regarding conditions in your area.



*Power Flush*