

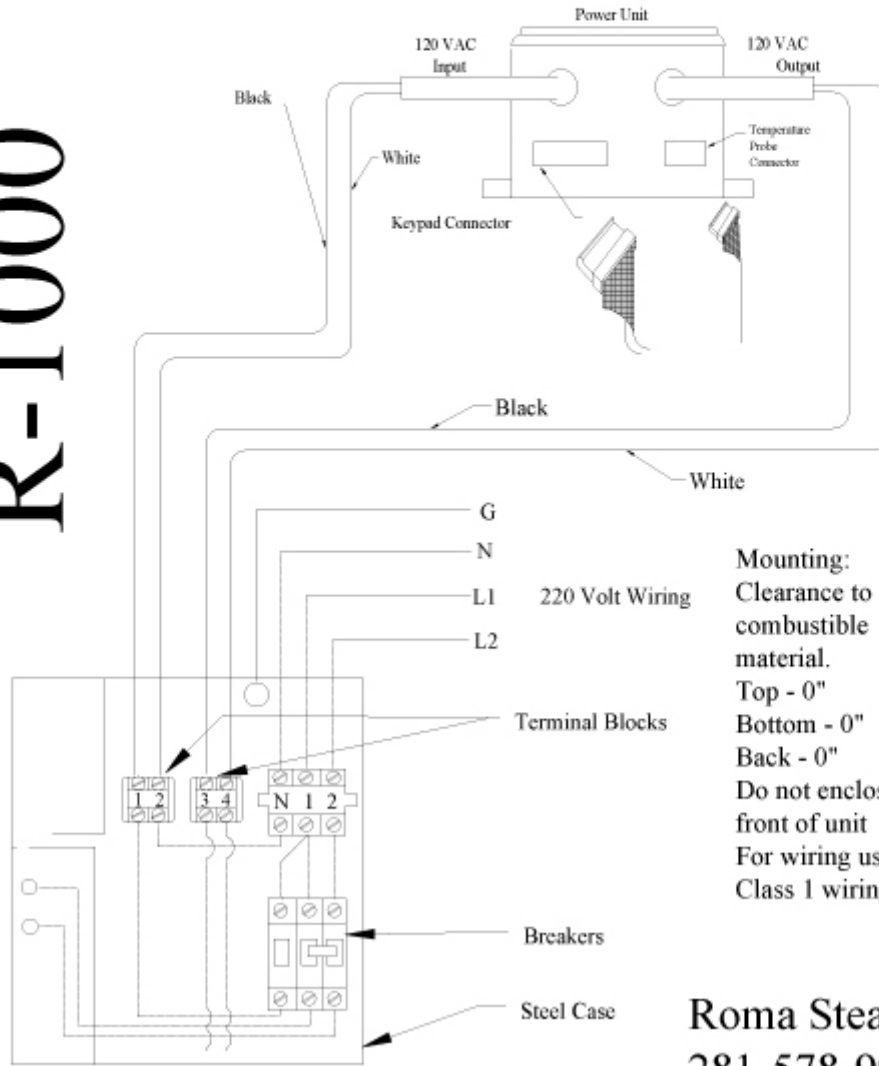
Warning - High Voltage

Top cover on steam generator should not be removed until all electrical current is turned off.

Warning - Do not install valve or any obstruction in steam supply line.

Typical Installation and wiring diagram for R-1000

R-1000



Mounting:
 Clearance to combustibile material.
 Top - 0"
 Bottom - 0"
 Back - 0"
 Do not enclose front of unit
 For wiring use Class 1 wiring

Roma Steambath
 281-578-9945

INSTALLATION INSTRUCTIONS

The R-1000 Command center includes four components: The keypad, temperature probe and the power unit.

INSTALLATION OF THE POWER UNIT

The power unit is equipped with brackets, allowing it to be attached onto a surface. Locate the power unit, in an upright position with the wires coming out of the bottom, as close to the steam unit as possible. (See attached wiring diagram)

NOTE: Cables for the keypad and thermostat are 25 feet in length and can not be extended. It is essential that the power unit be located no further than 25 feet away from the shower.

INSTALLATION OF THE KEYPAD

The keypad should be recessed into an inside wall of the shower in an area easily reached by the user.

- (1) Set a 4' x 4' 2 gang box midway up the shower wall to accommodate the control.
- (2) Attach the keypad to the 2 gang box with the 4 screws provided.

NOTE: Make sure that the keypad cable is securely plugged in before attaching to the gang box. (See fig. 2)

INSTALLATION OF THE TEMPERTURE PROBE

The temperature probe should be located approximately 6 inches from the ceiling in the wall furthest from the shower door.

- (1) Using a 5/16" drill bit, drill a hole through the tile surface to accommodate the probe.
- (2) Slide the probe through the hole allowing the entire metal tip to protrude into the shower area.
- (3) Once the probe is through the hole, grout the hole closed around the cable.

NOTE: It is important that the metal tip stick straight out away from and not touch the surface of the wall. If the metal tip is touching the wall, the sensing device will receive a false reading and will not be able to accurately sense the temperature inside the room.

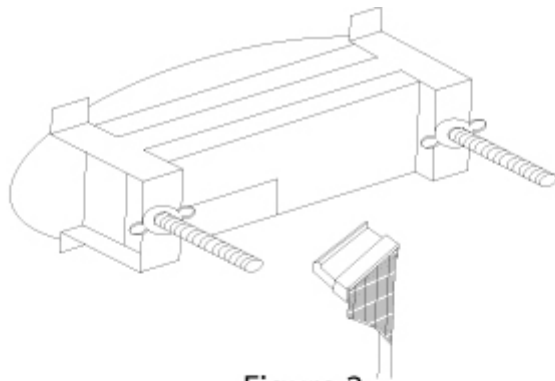


Figure 2

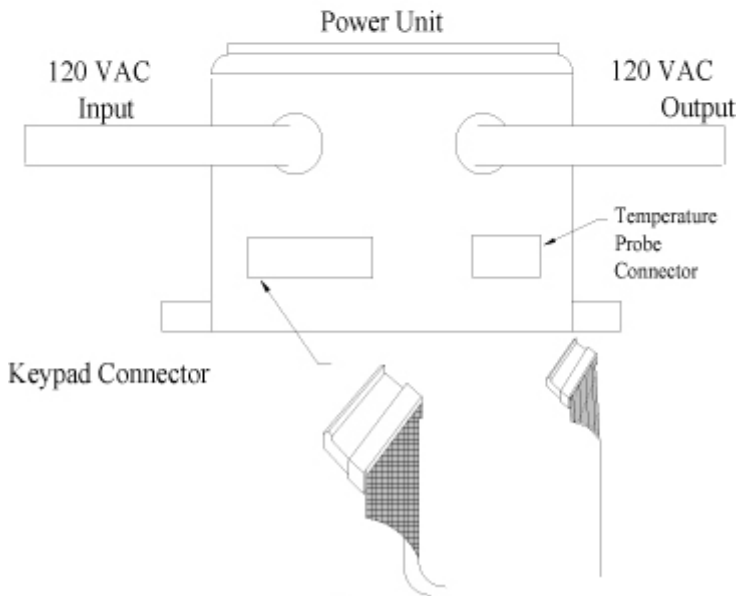


Figure 3

INTERCONNECTIONS

Note: Power must remain off until all connections are completed.

Keypad

A cable is provided for the keypad and the power unit connections. Tightly insert one end of the cable onto the keypad as shown in figure 2. Connect the cable's other end to the power unit as shown on the wiring diagram.

Temperature Probe

Connect the temperature probe cable to the power unit as shown on the wiring diagram.

WIRING INSTRUCTIONS

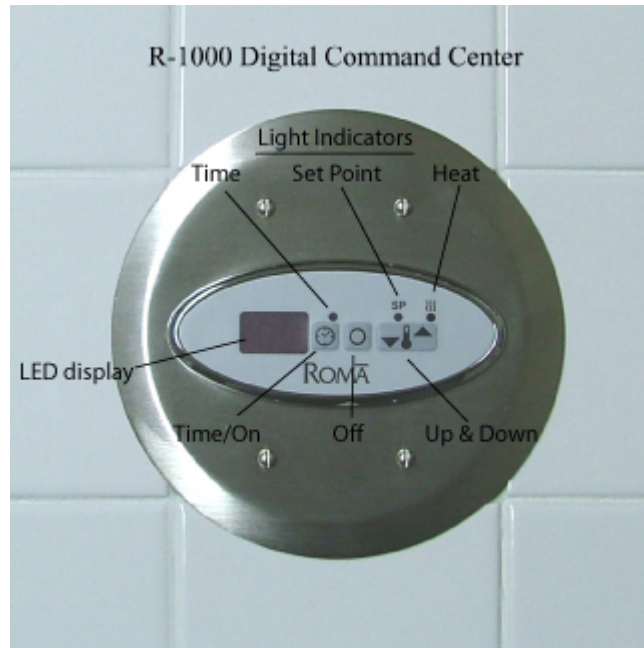
SEE WIRING DIAGRAM FOR EXACT CONNECTIONS.

The power unit has two wire cables labeled 120VAC input, and 120VAC output.

- (1) Run the black wire from 120VAC input to the #1 terminal of the 4 port terminal block.
- (2) Run the white wire of the 120VAC input to the #2 terminal of the 4 port terminal block.
- (3) Run the black wire from the 120VAC output to the #3 terminal of the 4 port terminal block.
- (4) Run the white wire of the 120VAC output to the #4 terminal of the 4 port terminal block.

Connect all ground wires to the ground lug provided – see main wiring diagram.

OPERATING INSTRUCTIONS



“Time Key”

The “time” key serves two functions.

- 1) Pressing the “time” key activates your steam generator. This key will allow you to adjust the desired length of the steam bath in 5 minute increments. When the timer reaches 0 the system will automatically shut off.
- 2) The “time” key also activates the “LED”. The “LED” will display the time remaining in the cycle and the current temperature, alternately, for as long as the machine is active.

“Off” Key

Pressing the “off” key will override the timer and turn the system off.

“Up” and “Down” Arrow Keys

The “Up” and “Down” keys are used to adjust the temperature. When a key is pressed the display will show the actual set point and the “SP” indicator will be on. Adjust the temperature to the desired level. Steam will be produced until the temperature inside the enclosure reaches the set point.

“Heat” Indicator

The “Heat” indicator will be on when the steam generator is activated by the control.