

INSTALLATION AND OPERATING INSTRUCTIONS FOR THE R-100 ELECTRONIC TIMER

This control is designed to mount on the inside of the enclosure. Although the transformer is 120 volts, the keypad has an active voltage of less than one (1) volt.

INSTALLATION INSTRUCTIONS

Note:

The keypad cable is 25 feet in length. The transformer must be mounted within 25 feet of the shower enclosure area.

For in-shower installations:

1. Plug one of the keypad cable into the transformer.
2. Extend the other end of the keypad cable over to the shower enclosure.
3. Locate a spot on the wall convenient to the bench in the shower.
4. Drill a hole 3/4" into the tile to accommodate the keypad shaft.
5. Plug the keypad cable into the plug provided on the keypad.
6. Clean and dry the surface around the hole thoroughly.
7. Remove the adhesive covering on the backside of the keypad, and insert the keypad into the hole. A nut is not required for the threaded shaft.
8. Carefully position the keypad so that it is straight and level on the wall. Press firmly on the keypad to ensure a secure adhesion to the tile. Once the keypad has been applied it cannot be removed.
9. Run a bead of clear silicone around the perimeter of the keypad to ensure a proper waterproofing of the control.

Note:

This control may also be installed on the exterior of the shower enclosure. The same instructions apply with the exception of the use of the silicone sealant; this step is not necessary and should be eliminated.

OPERATING INSTRUCTIONS

Note:

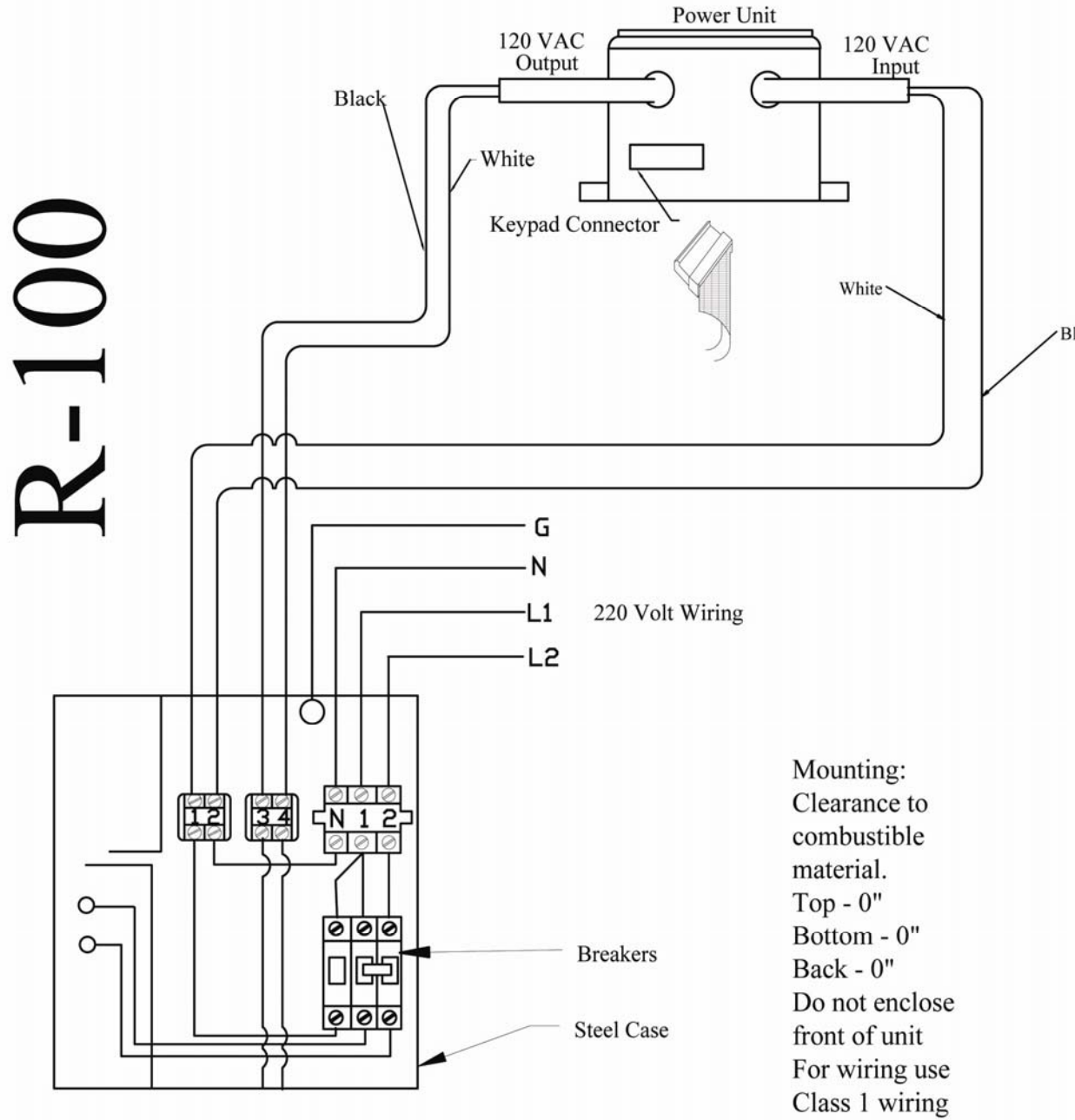
This control is a 30 minute countdown timer only. It has no thermostatic capability.

To activate the control, push the on button. The on button is represented on the keypad as the “O” in the word Roma, on the faceplate. Once activated, the “O” will illuminate indicating the system is functional. If you do not desire a full 30 minute cycle, the cycle can be interrupted at any time by pressing the on button again.

Warning - High Voltage

This cover should not be removed until electrical current is turned off.
Warning - Do not install valve or any obstruction in the steam supply line.

Typical installation and wiring diagram for R-100



Roma Steambath
281/578-9945