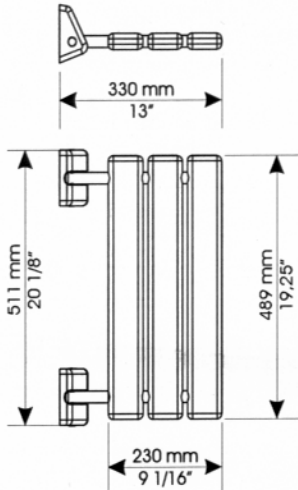


TILT -UP BATH SEAT INSTALLATION INSTRUCTIONS

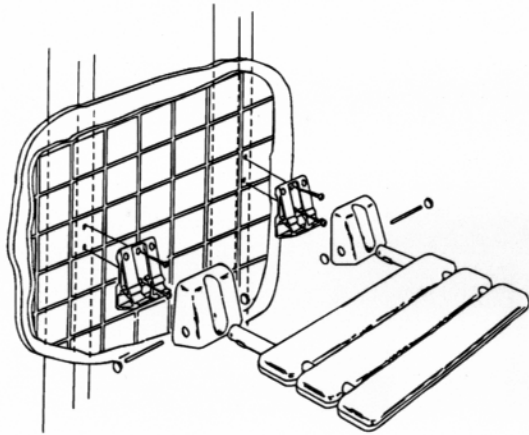
CAUTION: MAXIMUM WEIGHT CAPACITY 250 LBS



- COMPONENTS:**
- 1 -SEAT ASSEMBLY
 - 6 -FLAT HEAD SCREWS
 - 6 -PLASTIC ANCHORS
 - 2 -WALL BRACKETS
 - 2 -BRACKET COVERS
 - 2 -MOUNTING PINS
 - 4 -PIN CAPS

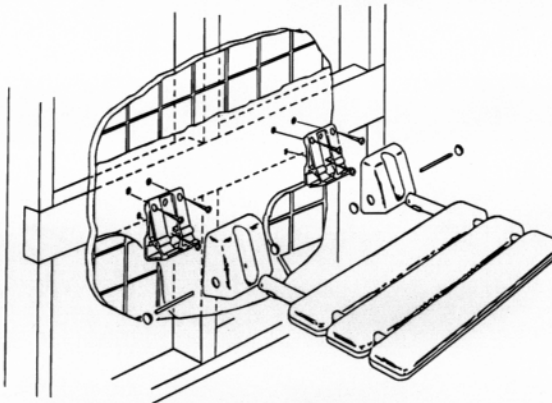
NOTICE:
The mounting brackets must be anchored to a solid structure assuring a safe and secure installation. As a minimum standard, follow recommended installation below.

INSTALLATION (REFER TO ILLUSTRATIONS)
Drill 4 or 6 holes, whichever is required for installation using template provided. Secure wall brackets to the wall as shown below. Place covers over brackets and secure seat assembly in place with the mounting pins. After assembly is completed snap in pin caps.

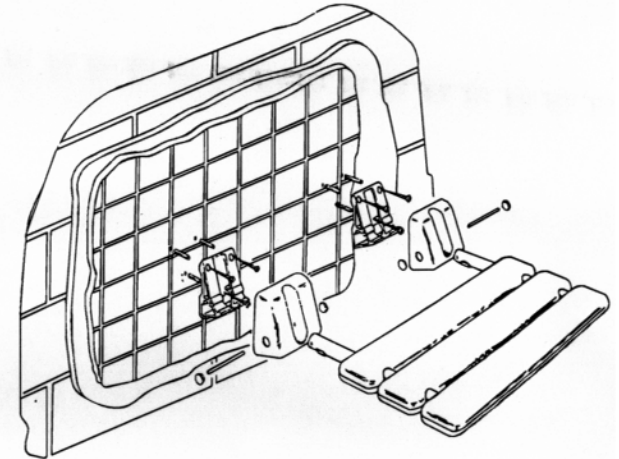


MOUNTING (WOOD)

STUD WALL:
16" on center (use template provided) use (4) flat head screws provided for this installation. Screws should penetrate into the studs a minimum of 1 1/2". A 1/4" dia masonry tool bit should be used to drill thru tile and wonder board for screw clearance hole.



HEADER:
16" on center (use template provided) Header to be 2" x 6" or equivalent and must be an adequate anchor base, secured into studs. Use (6) flat head screws provided for this installation. Screws should penetrate into the header a minimum of 1 1/2". A 1/4" dia masonry tool bit should be used to drill thru tile and wonder board for screw clearance hole.



MOUNTING (MASONRY, BRICK OR BLOCK WALL)
16" on center (use template provided) Install (6) plastic anchors provided for this installation. A 5/16" dia masonry tool bit should be used for this application.