



### **Headquarters & Technical Support**

2255 Union Place, Simi Valley, CA 93065 – (800) 776.0711 (805) 520.2468

### **Eastern Sales Office**

26 Industrial Avenue, Fairview, NJ 07022 – (800) 631.1601 (201) 941.8222  
www.thermasol.com

# **MoodLight Installation Instructions**

Please read and follow the instructions completely before beginning installation.

**“WARNING” This Product must be installed according to National and Local Electrical codes. ThermaSol requires a licensed electrician to perform all electrical work.**

#### **Parts Enclosed:**

- Light fixture
- Plated Trim Ring
- Mounting Bracket
- Transformer: 120V Input (black and white), 12V Output (red and blue)  
**NOTE: Transformer is located in foam block protecting the light. Please remove before discarding foam.**
- Trim Accessory (acorn nuts, headless screws, glass, cork gasket)
- 1 – 12V, 50W Halogen MR16 Wide Flood (clear)

#### **Materials Needed:**

- Drill
- 3/16” drill bit
- 5 7/8” Hole saw (or tile cutting bit)
- 16-gauge wire, length: as needed
- Other materials as required

# **CONSUMER WARNING**

## **WARNING**

**THIS PRODUCT MUST BE INSTALLED ACCORDING TO NATIONAL AND LOCAL ELECTRICAL CODES. THERMASOL REQUIRES A LICENSED ELECTRICIAN PERFORM ALL ELECTRICAL WORK.**

## **WARNING**

**TO AVOID FIRE HAZARD, THERMAL INSULATION SHOULD NOT BE INSTALLED WITHIN 24 INCHES OF THE TOP OR WITHIN 3 INCHES OF THE SIDE OF A RECESSED ENCLOSURE, WIRING COMPARTMENT OR BALLAST, AS REQUIRED BY NATIONAL ELECTRICAL CODE.**

## **WARNING**

**MAKE SURE THERE IS NO INSULATION OR CUMBUSTIBLE MATERIAL WITHIN 8 INCHES OF THE TRANSFORMER. NO MATERIAL SHOULD TOUCH THE TRANSFORMER.**

## **WARNING**

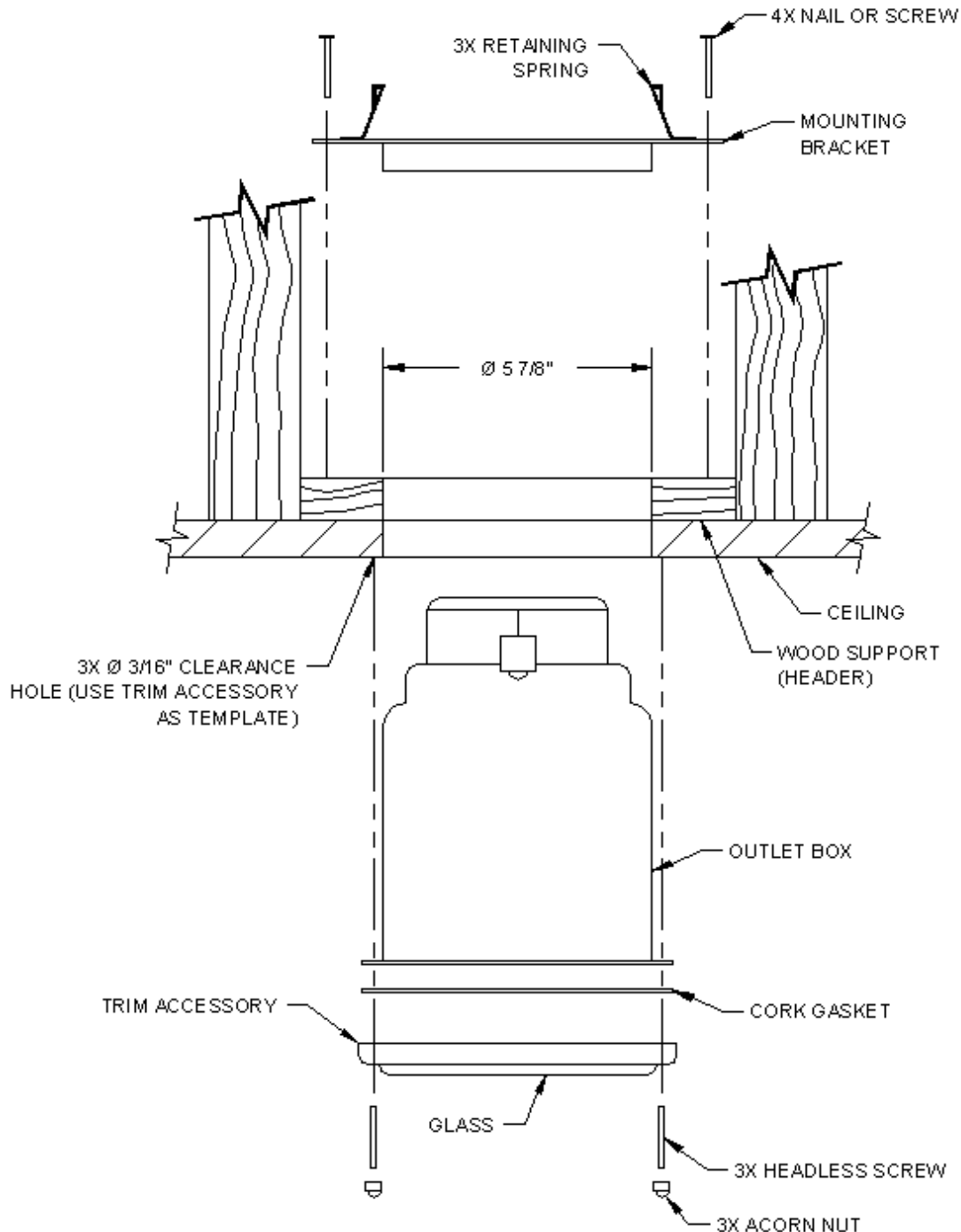
**NEVER TOUCH LENS ON BULBS. BULBS ARE VERY HOT AND WILL BURN YOU. ALSO, OILS FROM YOUR SKIN CAN DAMAGE THE MOODLIGHT BULBS.**

## **WARNING**

**ALL PINS OF THE MOODLIGHT BOARD MUST LINE UP WITH EACH HOLE OR PERMANENT DAMAGE WILL RESULT. DO NOT FORCE.**

**“WARNING” To avoid fire hazard, thermal insulation should not be installed within 24 inches of the top or within 3 inches of the side of a recessed enclosure, wiring compartment or ballast, as required by National Electric Code.**

1. Cut a 5 7/8” Dia. hole in desired location, nail or screw mounting bracket (see Figure 1) to suitable wood support provided between joists. R-416 or R-424 bar hangers (purchased separately) may be used. Drill three 3/16” Dia. clearance holes for mounting of trim accessory.



**Figure 1**

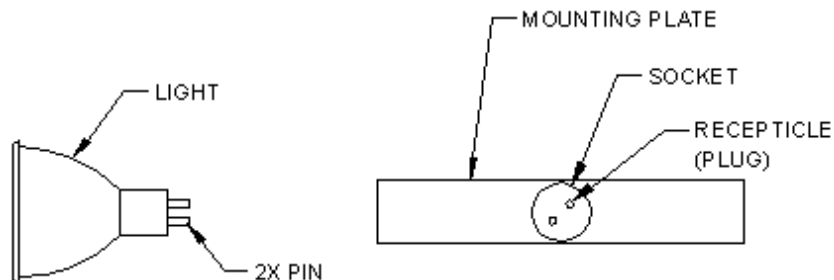
**“WARNING”** Make sure there is no insulation or combustible material within 8 inches of the transformer. No material should touch the transformer.

2. Mount the transformer in a location that is easily accessible for wiring and inspection. Mount in area where it is out of common contact.
3. The power to the MoodLight can be connected to a switch, which may be turned on from outside of the shower enclosure. Such as an on/off or dimmer light switch (UL approved), refer to Figure 3 for wiring with a switch. **Because there are a wide variety of switches available to you, and we do not provide the switch, refer to your specific switch installation instructions.**
  - High voltage wires to transformer must be contained within conduit, high voltage connections must be within a junction box.
4. You will need to supply 16-gauge wire to connect and extend the red and blue transformer wires, also include a grounding wire.
5. After making the connections, ensure that outlet box is secured, and push fixture up through mounting bracket, aligning “T” slots on fixture with retainer springs (see Figure 1) on the mounting bracket. Push fixture tight against ceiling as shown in Figure 3.

**“WARNING”** NEVER touch lens on bulbs, oils from your skin can damage the MoodLight. All pins of the MoodLight board must line up with each hole or permanent damage will result DO NOT FORCE.

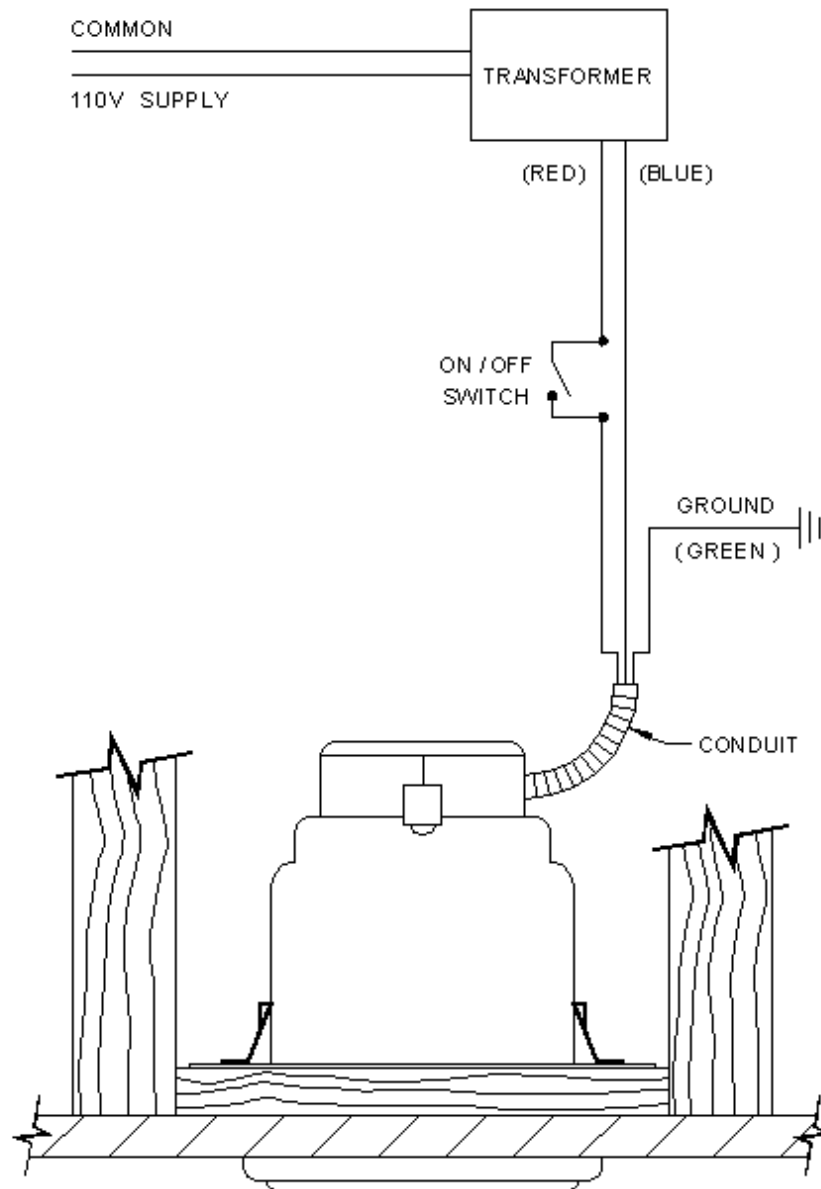
**“WARNING”** All pins of the MoodLight board must line up with each hole or permanent damage will result DO NOT FORCE.

6. Insert the light (enclosed) into the MoodLight fixture, by aligning pins connectors to the receptacles located on the socket, see Figure 2.



**Figure 2**

7. Turn headless machine screws onto acorn nuts as far as possible. Position trim assembly (with glass in place) and cork gasket onto housing, being careful to lineup holes on trim assembly with holes in housing. (see Figure 1) Insert screws with acorn nuts into holes and turn by hand clockwise. Make sure trim is snug against housing. **DO NOT OVERTIGHTEN.**
8. Connect MoodLight Transformer to an 110V power source. Test light switch to ensure correct operation.



**Figure 3**