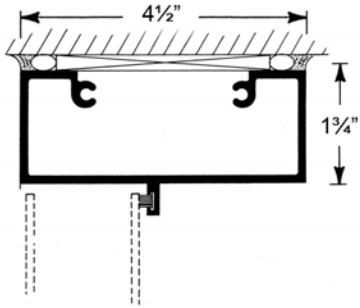
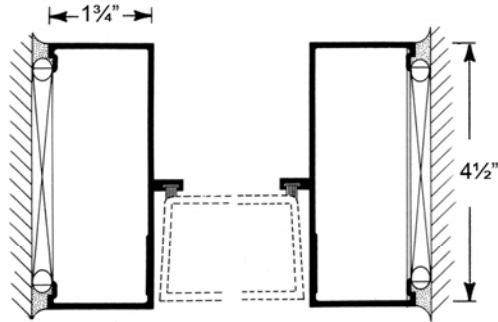


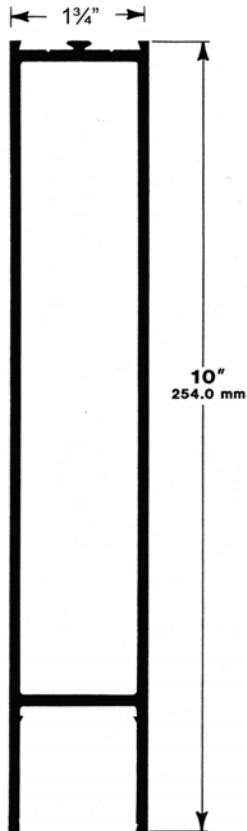
Steam-Tight Steam Room Door – Section Detail



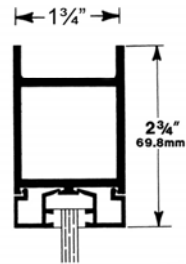
Door Header Section



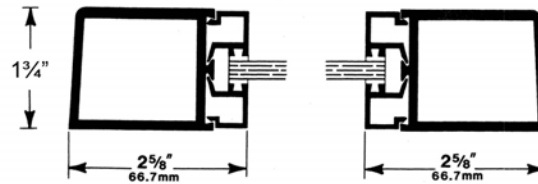
Door Jamb Section



Bottom Rail Section



Top Rail Section



Door Section