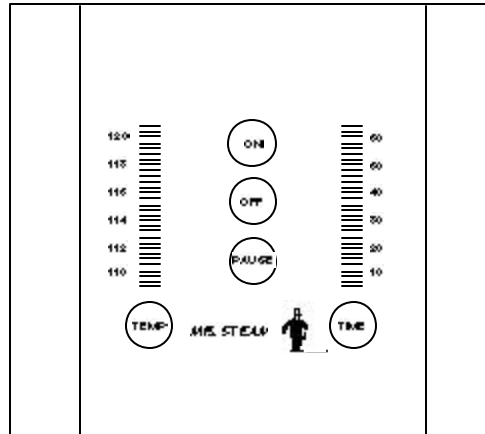


Smart/Plus® Control Installation and Operating Manual

Smart/Plus Box Contents:

- Smart/Plus Control
- Control Cable
- Tube of Silicone
- Installation & Operation Instructions
- Template
- Screws (4)
- Anchors (4)
- White Decal
- Black Decal



- 1. Locating the Control inside or outside the steambath enclosure:** The **Smart/Plus** control is designed to be installed inside or inside the steambath enclosure. However, if it is necessary to install the **Smart/Plus** outside the steambath enclosure, a separate kit (#MSNC) must be obtained by contacting **MrSteam** at 1-800-76-STEAM.
- 2. Installation of the Control inside the steambath enclosure:** It is highly recommended that the **Smart/Plus** control is located about four to five feet above the floor. The control should be away from direct shower spray and must be away from the steam source, preferably on an opposite wall. The Control should also be kept away from hot water piping and steam piping.
- 3. Determine if the installation of an electrical box is required.** This control operates on a 24 VAC low voltage signal. Check your local building codes to determine if the use of an electrical box is required.
- 4. Using the Smart/Plus Control with a Smart/Remote Control:** The **Smart/Remote** is an optional control which extends the ON/OFF feature to a selected location outside the steambath enclosure. For additional information about the **Smart/Remote** control, call **MrSteam** at 1-800-76-STEAM.

If the optional **Smart/Remote** is to be used then follow instructions provided with the **Smart/Remote** control. Do not proceed to install the **Smart/Plus** control without the **Smart/Remote** instructions.



CAUTION: DO NOT ROUTE THE CONTROL CABLE INSIDE CONDUIT TOGETHER WITH POWER LINES OR CLOSE TO HOT WATER OR STEAM PIPING. DOING SO MAY RESULT IN A MALFUNCTIONING CONTROL.

SUSSMAN
Lifestyle
GROUP

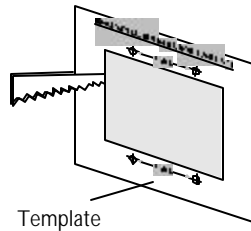
A Division of Sussman-Automatic Corporation
43-20 34th Street, Long Island City, NY 11101 • (718) 937-4500
1-800 767-8326 • Fax: (718) 472-3256 • <http://www.mrsteam.com>
Western Regional Offices
6050 West Jefferson Blvd., Los Angeles CA 90016
(310) 815-2577 • 1-800 727-8326 • Fax: (310) 815-1878



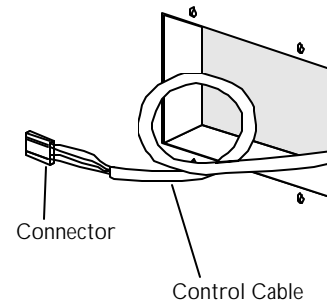
PUR 100305 Rev. 03/00

Step 1 Prepare Desired Location for Smart/Plus Control

- A. Remove template peel-off paper and attach the template to the wall in desired location. Drill and cutout as shown. Be exact. Clean all burrs and dust.



- B. Route the control cable from the wall cutout to the steam generator. Locate the end of the cable that has the single black connector at the wall cutout. Locate the other end with the white connector at the steam generator.

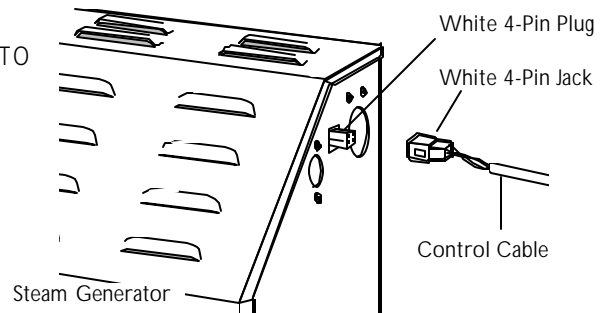


Step 2 Connect the Control Cable to the Steam Generator



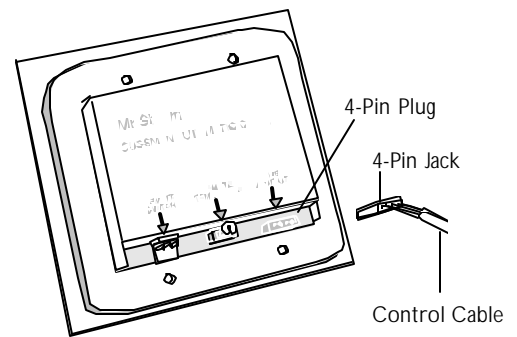
CAUTION TURN OFF ALL POWER TO THE STEAM GENERATOR UNTIL STEP 3C. FAILURE TO DISCONNECT POWER MAY RESULT IN AN INOPERABLE CONTROL.

- A. Connect the control cable (the end with the white connector) to the steam generator connector.



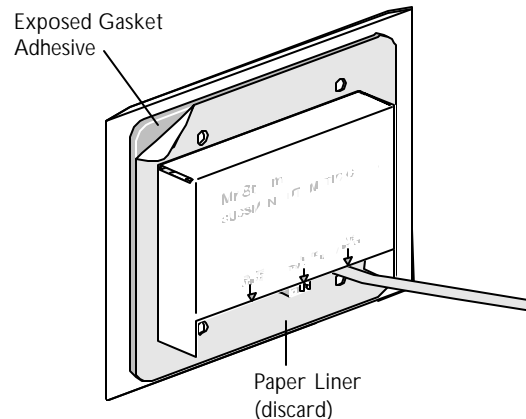
Step 3 Connect the control cable to Smart/Plus Control

- A. Firmly connect the black connector on the cable to the connector on the bottom of the SMART/PLUS circuit board.
- B. Check all power connections for proper installation.
- C. RESTORE POWER AND TEST THE OPERATION OF THE SMART/PLUS CONTROL ACCORDING TO THE OPERATION INSTRUCTIONS ON BACK COVER OF THIS INSTALLATION GUIDE. DO NOT EXPOSE CONTROL TO STEAM DURING TEST.
- D. AFTER POSITIVE TEST RESULTS proceed to STEP 4. If test results are negative review installation.



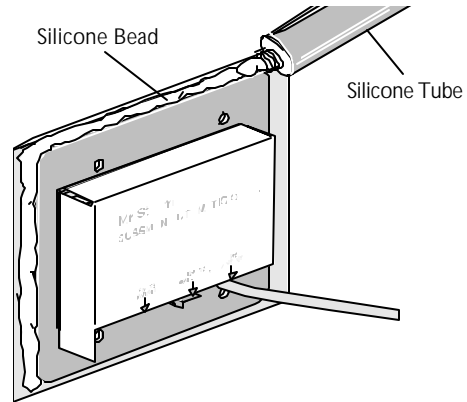
Step 4 Expose adhesive surface on back of Smart/Plus Control

Remove paper liner from back of SMART/PLUS control to expose adhesive surface. Discard paper liner.



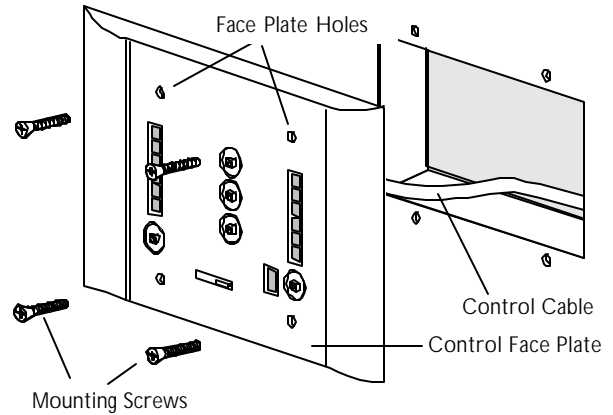
Step 5 Apply Silicone to Smart/Plus Control

- A. Make sure that the area around the cut out or electrical box is clean and free of debris.
- B. Run a bead of silicone (RTV sealant) along all four edges of the gasket as required to create seal between gasket and wall.



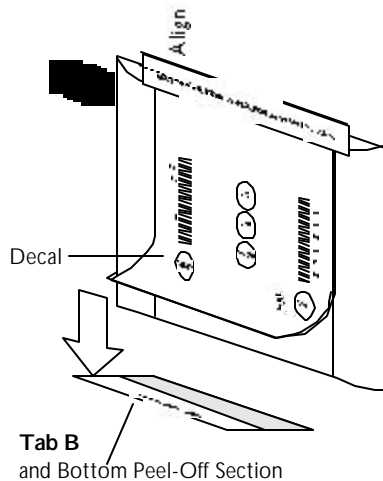
Step 6 Mount Control to Wall with Screws

- A. Make sure the "THIS END UP" label is pointed upward.
- B. Fully insert the supplied screws into the face plate holes and align with holes in wall.
- C. Keep the screws aligned and push the control against the wall until the adhesive gasket sticks firmly.
- D. Tighten the screws until the gasket is firmly secured against the wall.
- E. Remove excess silicone.



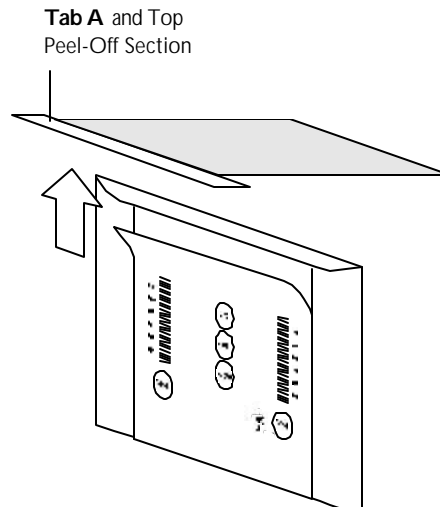
Step 7 Align Decal and Remove Bottom Peel-Off Section

- A. Align bottom edge of TAB A (top tab) with top of control.
- B. Remove TAB B (bottom tab) along with the peel-off paper and rub down exposed adhesive onto face plate.

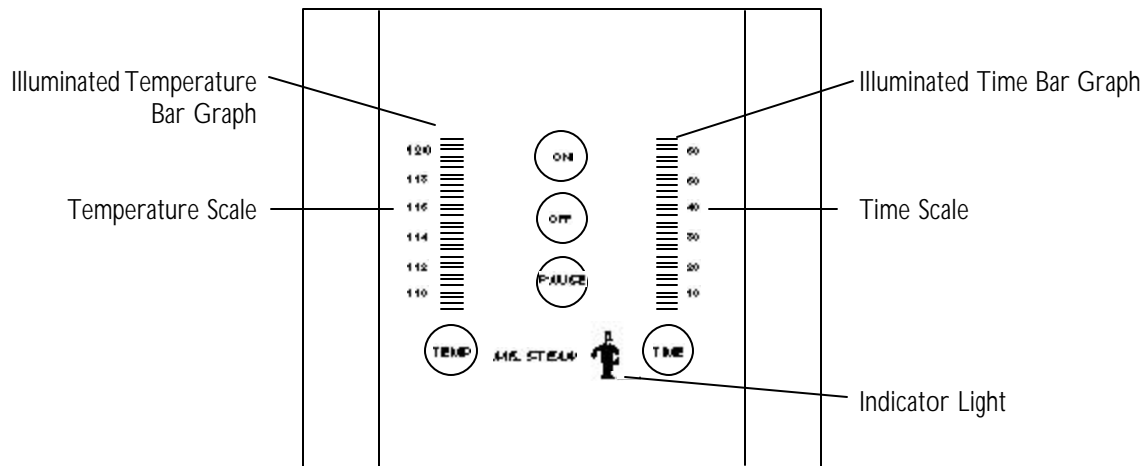


Step 8 Secure Decal to Face Plate

- A. Remove TAB A along with peel-off paper and rub down top



Smart/Plus Operation



1. Depress and release the "ON" button. The Smart/Plus control will display the TIME & TEMPERATURE settings. Steam will begin flowing out of the steam head after approximately five minutes. Steam will continue flowing for the duration of the indicated time setting and the temperature will be maintained at the indicated temperature setting. The butler logo lights up in the "ON" mode.

2. CONTROL "OFF"

Depress and release the "OFF" button and the control will turn off and the steam will stop flowing. The TIME & TEMPERATURE settings are reset and the memory is erased (see MEMORY). The butler logo is off during this mode.

3. CONTROL "PAUSE"

Depress and release the "PAUSE" button and the steam will stop flowing but the time cycle will continue to count down. The butler logo will blink on and off. Press the "PAUSE" button again to renew the steam flow. The "PAUSE" feature allows the steambather to temporarily stop the steam flow.

4. CONTROL "TIME"-Setting the duration of the steambath

Depress and release the "TIME" button to set the desired duration of the steambath. Each activation of the button will increase the duration of the steambath by (10) minutes. Time is set in increments of (10) minutes, starting from (10) minutes up to a maximum of (60) minutes. When the maximum duration of (60) minutes has been exceeded the time will reset at (10) minutes. The time setting is visually indicated by the illuminated bar graph and an adjacent time scale (see diagram below). The time setting can be changed to a new setting at any time during the steambath. Note that the steam generator features a (75) minute shut-off as an automatic safety backup device .

OBSERVING REMAINING STEAMBATHING TIME

The remaining steambath duration is visually indicated by the illuminated bar graph and an adjacent time scale (see diagram below). After (10) minutes of elapsed time the bar graph will jump down to the next lower increment to display remaining time.

5. CONTROL "TEMPERATURE"-Setting the Steambath temperature

Depress and release the "TEMPERATURE" button to set the desired steambathing temperature. Each activation of the button will increase the temperature of the steambath by (2) degrees. Temperature is set in increments of (2) degrees from (110) degrees up to a maximum of (120) degrees. When the maximum temperature setting of (120) degrees has been exceeded, the temperature will reset at (110) degrees. The temperature setting is visually indicated by the illuminated bar graph and an adjacent temperature scale (see diagram below). The temperature setting can be changed to a new setting at any time during the steambath.

6. MEMORY

The Smart/Plus control automatically stores and displays the last preferred TIME and TEMPERATURE settings for the next steambath. [Note: If the OFF button is activated during a steambath, the memory is erased and a steambath will start with a default setting of (30) minutes and (114) degrees.]