

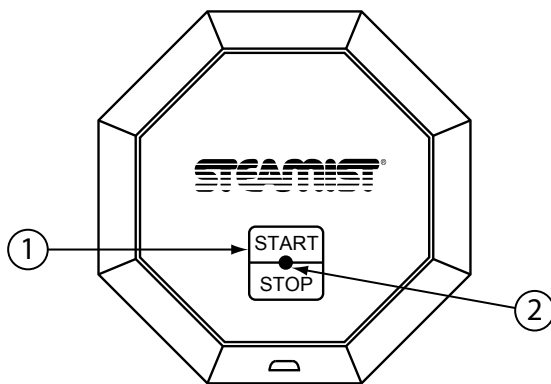
Installation and Operating Instructions



WARNING: Elderly persons, pregnant women, or those suffering from heart disease, high blood pressure, diabetes, or who are otherwise not in good health, do not use this device unless directed to do so by a physician. Also, do not use steambath while under the influence of alcohol.

IMPORTANT: The TC-110 Control will only function with one of the following Steamist Generator models: SM-46, SM-79, SM-4, SM-5, SM-7, SM-8, SM-11, SM-12, and SM-15. (It will not work with Models: System-18, System-24, & System-30 unless used in conjunction with a Steamist thermostatic controller, such as Model# TC-135 or DSC-425).

Control Features



TC-110

Timer and Start/Stop Switch

NOTE: This control may be installed inside or outside the steam room for operation of the system.

1. **Start/Stop Key Pad:** Press key pad and generator will begin producing steam in minutes. The generator will remain on for 30 minutes when used with the model SM-46, SM-79 SM-4, SM-5, SM-7, or SM-8 steam generators and 60 minutes for larger generators. Pressing the key pad a second time will stop the Steam Generator.
2. **Start/Stop Light:** Indicates the Steam Generator is activated.

Cleaning Instructions: Use a damp cloth and mild soap. Do NOT use abrasive cleaners which might scratch the surface or the base of the control.

Installation Instructions

1. Pre-Installation - Control Location

- a) The TC-110 control may be installed inside or outside the steam room. For convenience the recommended height from the floor is four feet. Provide a 1" hole in the wall at this location (see Figure 1).

IMPORTANT: Multi-conductor cable must be installed so that the end will not be buried inside the wall. The unit will not operate unless the control is installed.

2. Electrical Rough-in

- a) Remove the multi-conductor cable from the control packing box. Carefully route the multi-conductor control cable from the Steambath Generator to the TC-110 located either inside or outside the steamroom (see Figure 2). Route multi-conductor cable through a 3/4" conduit to protect the cable from damage and to facilitate replacement if necessary.

IMPORTANT: Run the Control Cable through a 3/4" conduit.

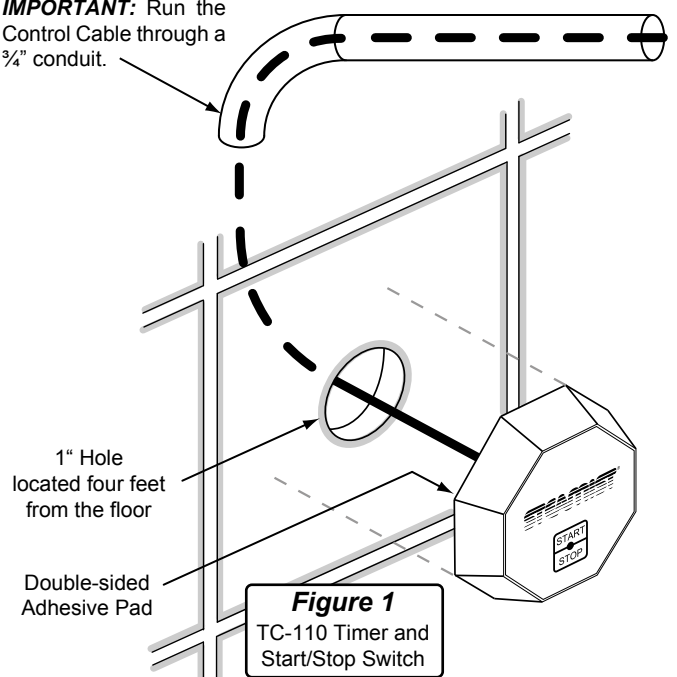


Figure 1
TC-110 Timer and Start/Stop Switch

3. Control and Cable Installation

- a) Locate the previously installed cable and black plastic strain relief clamp which is in the control packing box. Locate the knock-out on the steam generator for the control cable (see Figure 2).
- b) Place strain relief around cable about seven inches from the end and insert into the hole. Remove the protective covering labeled, "Remove before installation," from the modular jack found on the PC board.
- c) If a second control will be installed, plug the splitter into the modular jack, this will allow two cables to be plugged into the PC board.

IMPORTANT: The Steamist supplied splitter must be used. Locally purchased telephone splitters will *NOT* work and void the warranty.

- d) Remove the protective cap from the multi-conductor cable plug. Connect the cable to the modular jack located on the printed circuit board
- e) of the Steam Generator.
- f) Close and secure generator cover. Plug cable into receptacle on the back of the TC-110 control. The receptacle is keyed for proper installation.

WARNING: Test the control for operation before continuing on to the next step.

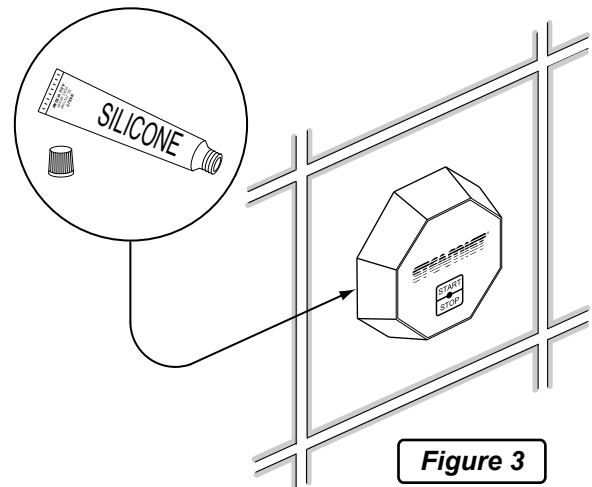


Figure 3

- g) Peel adhesive liner from back of the control. Apply the control to the wall. Press firmly and hold for a few seconds.
- h) After the control is in place, apply silicone (supplied) around the control to form a water tight seal (see Figure 3).

IMPORTANT: If the TC-110 is mounted on the inside of the shower, the adhesive backing on the control will *NOT* seal it to the wall. It is the responsibility of the installer to seal this control to the wall using the silicone sealant provided. Warranty is voided if the control is not completely sealed to the wall.

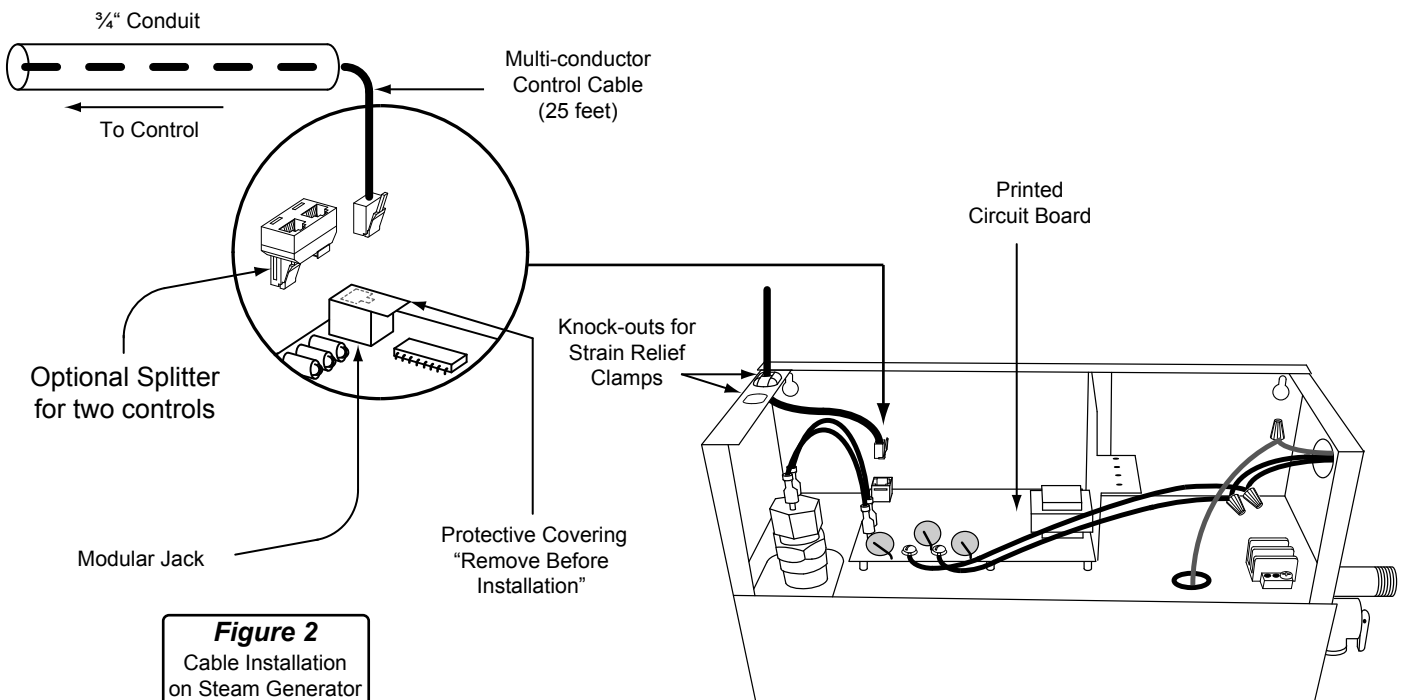


Figure 2
Cable Installation
on Steam Generator

4. Start-up and Testing

IMPORTANT: The Steam Generator will *NOT* operate without water.

- a) Be sure all plumbing has been completed, then open the water valve.
- b) Once all electrical connections are complete, turn the breaker on.
- c) Touch the Start/Stop keypad on the TC-110 control. At this point the green light on the control panel will light and after a few minutes steam will enter the Tub/Shower enclosure.
- d) When the Timer runs down the Steam Generator will stop and all the lights will go off.

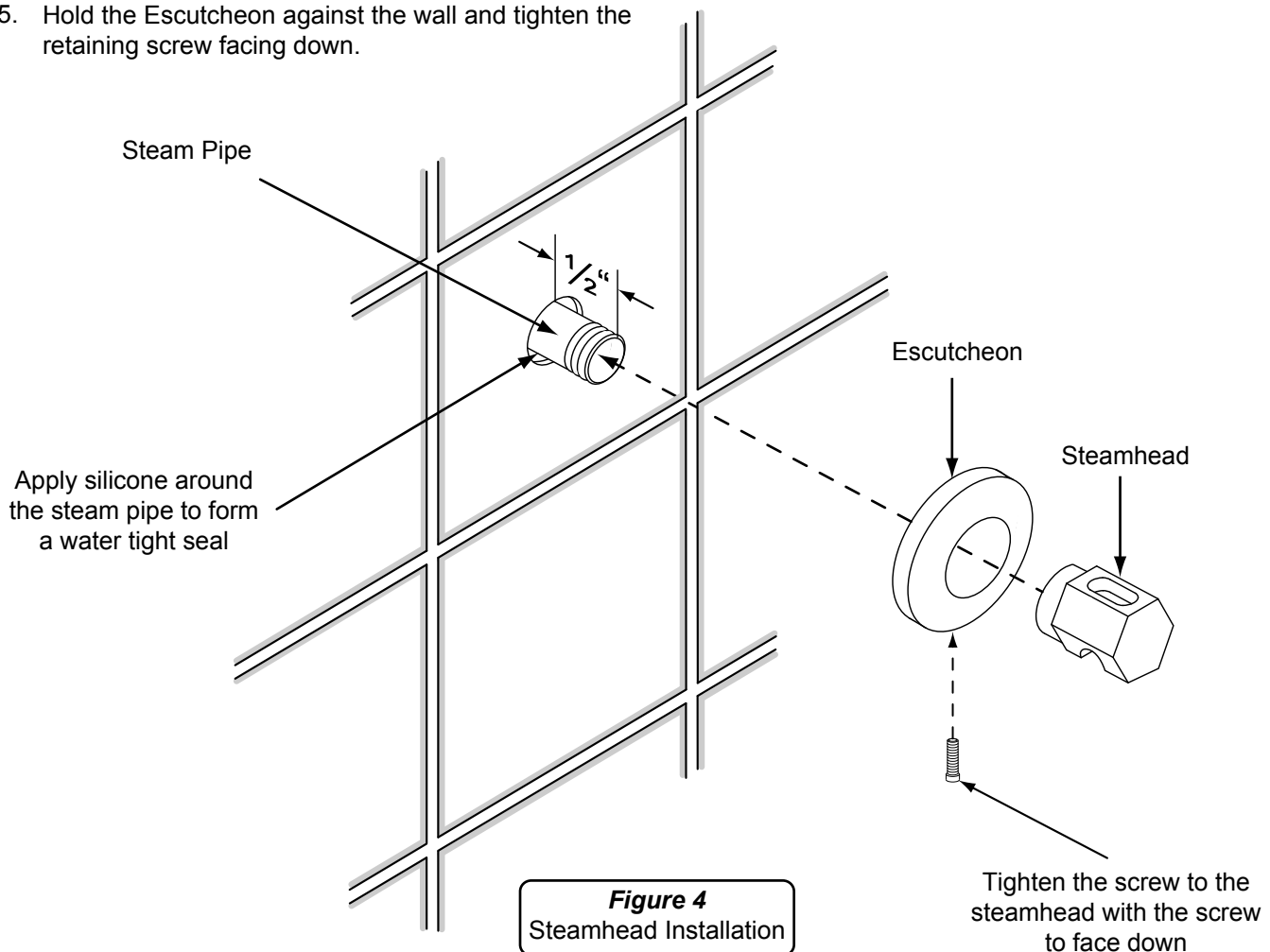
Installation Instruction for Steamhead & Escutcheon (See Figure 4)

1. Be sure the steam pipe is installed with the proper length pipe protruding through the wall.
2. Apply silicone sealant around the pipe to seal the pipe to the wall.
3. Slip the Escutcheon over the steamhead loosely.
4. Screw on the steamhead making sure the steam opening is facing down.
5. Hold the Escutcheon against the wall and tighten the retaining screw facing down.

WARNING: When installing a steam pipe into a steam room made out of Acrylic, Cultured Marble, Corian, Swanstone, Resin, Plastic or an equivalent type of material, consult the manufacturer of the material for their recommendation on location of the steam pipe. Verify that the type of material used for the construction of the steam room is rated for a steam room environment. When installing a steam pipe, in the mentioned material type rooms, it is very critical in making sure that when the steam pipe protrudes into the steam room that it is centered in its 1¼" hole and does not touch the edge of the wall material around the steam pipe.

IMPORTANT: An optional steam diffuser (Not Included) is strongly recommended for small steam rooms. This option helps to better diffuse the steam and makes the steam bath more comfortable. This option may not be necessary in larger steam rooms where the bather is sitting a few feet away from the steamhead.

All instructions must be given to the homeowner for future reference.



Installation Suggestions

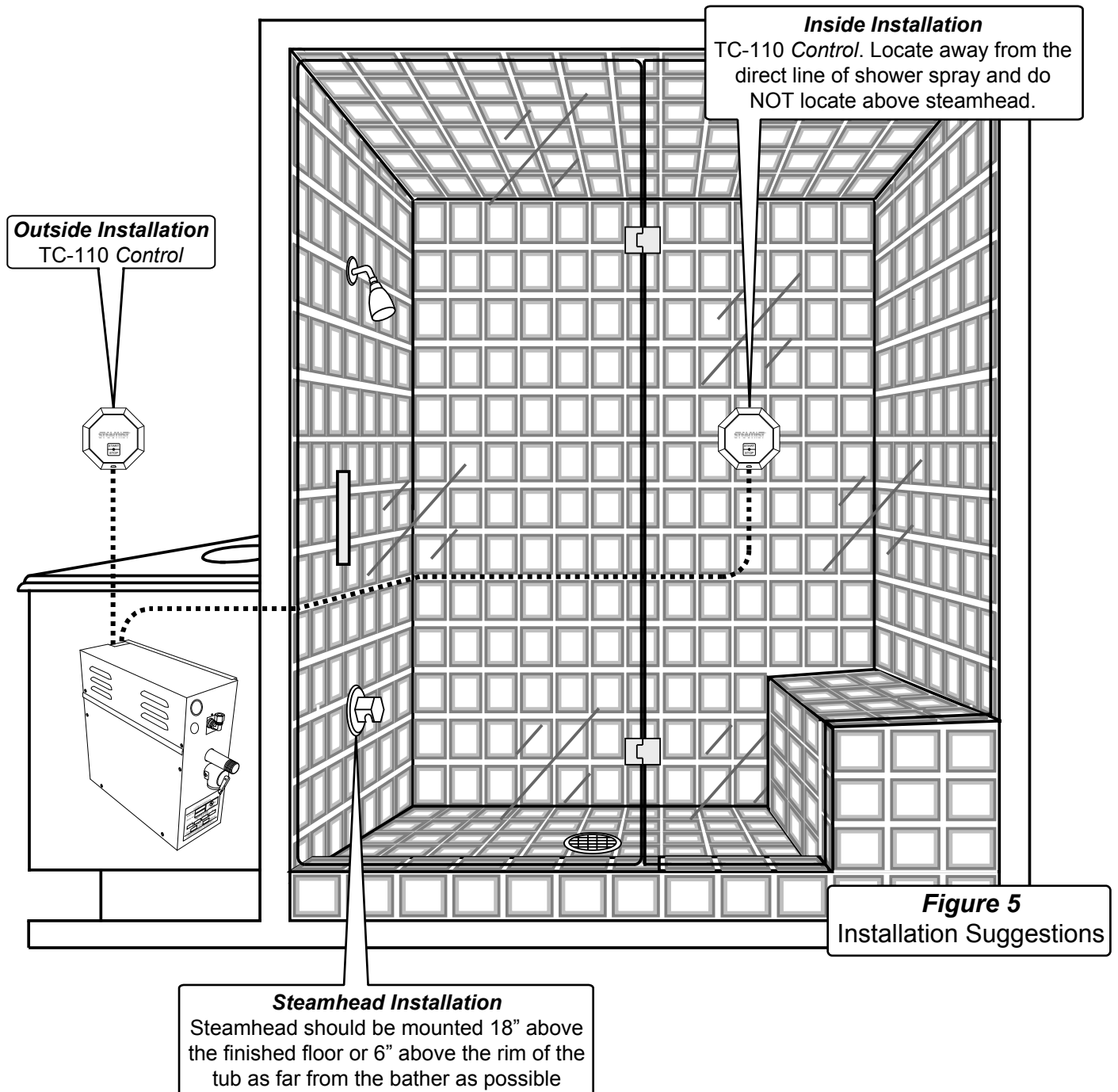


Figure 5
Installation Suggestions

All Instructions must be given to the homeowner for future use.