

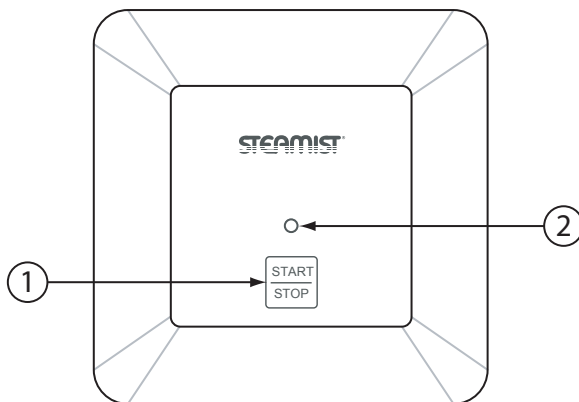
Installation and Operating Instructions



WARNING: Elderly persons, pregnant women, or those suffering from heart disease, high blood pressure, diabetes, or who are otherwise not in good health, do not use this device unless directed to do so by a physician. Also, do not use steambath while under the influence of alcohol.

IMPORTANT: The TC-125 Control will only function with one of the following Steamist steam generator models: SM-46, SM-79, SM-4, SM-5, SM-7, SM-8, SM-11, SM-12, and SM-15. (It will not work with Models: System-18, System-24, & System-30 unless used in conjunction with a Steamist thermostatic controller, such as Model# TC-135, TC-150 or DSC-425) This applies to InstaMist Generators of the same model numbers.

Control Features



TC-125

Timer and Start/Stop Switch

NOTE: This control may be installed inside or outside the steam room for operation of the system.

1. **Start/Stop Key Pad:** Press key pad and generator will begin producing steam in a few minutes. The generator will remain on for 30 minutes when used with the models SM-46, SM-79, SM-4, SM-5, SM-7, or SM-8 steam generators and 60 minutes for larger generators. Pressing the key pad a second time will stop the steam generator.

2. **Start/Stop Light:** Indicates the steam generator is activated.

Note: This control does not contain a thermostat function.

Cleaning Instructions: Use a damp cloth and mild soap. Do NOT use abrasive cleaners which might scratch the surface or the base of the control.

Installation Instructions

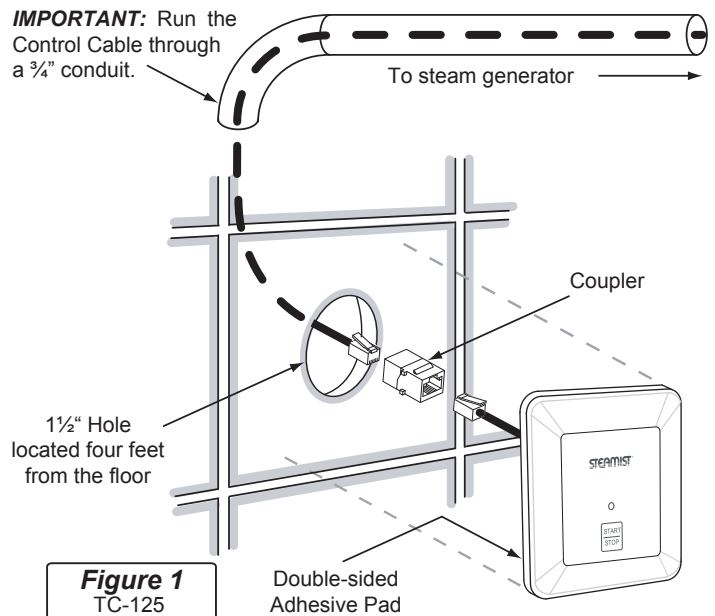
1. Pre-Installation - Control Location

- The TC-125 control may be installed inside or outside the steam room. For convenience the recommended height from the floor is four feet. Provide a 1½" hole in the wall at this location (see Figure 1).

IMPORTANT: Multi-conductor cable must be installed so that the end will not be buried inside the wall. The unit will not operate unless the control is installed.

2. Electrical Rough-in

- Remove the multi-conductor cable from the control packing box. Carefully route the multi-conductor control cable from the steam generator to the TC-125 located either inside or outside the steamroom (see Figure 1). Route multi-conductor cable through a ¾" conduit to protect the cable from damage and to facilitate replacement if necessary.



3. Control and Cable Installation

- a) Locate the previously installed cable and black plastic strain relief clamp which is in the control packing box. Locate the knock-out on the steam generator for the control cable (see Figure 2).
- b) Place strain relief around cable about seven inches from the end and insert into the hole. Remove the protective covering labeled, "Remove before installation," from the modular jack found on the PC board.
- c) If a second control will be installed, plug the splitter into the modular jack, this will allow two cables to be plugged into the PC board.

IMPORTANT: The Steamist supplied splitter must be used. Locally purchased telephone splitters will NOT work and void the warranty.

- d) Remove the protective cap from the multi-conductor cable plug. Connect the cable to the modular jack located on the printed circuit board of the Steam Generator.
- e) Close and secure generator cover.
- f) Plug cable into receptacle on the back of the TC-125 control. The receptacle is keyed for proper installation.

WARNING: Test the control for operation before continuing on to the next step.

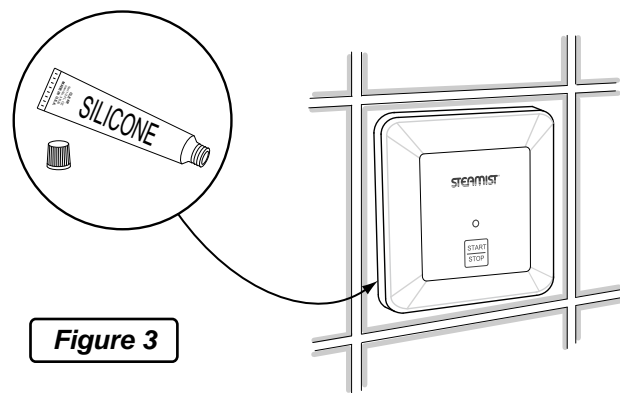


Figure 3

- g) Peel adhesive liner from back of the control. Apply the control to the wall. Press firmly and hold for a few seconds.
- h) After the control is in place, apply silicone (supplied) around the control to form a water tight seal (see Figure 3).

IMPORTANT: If the TC-125 is mounted on the inside of the steam room, the adhesive backing on the control will NOT seal it to the wall. It is the responsibility of the installer to seal this control to the wall using the silicone sealant provided. Warranty is voided if the control is not completely sealed to the wall.

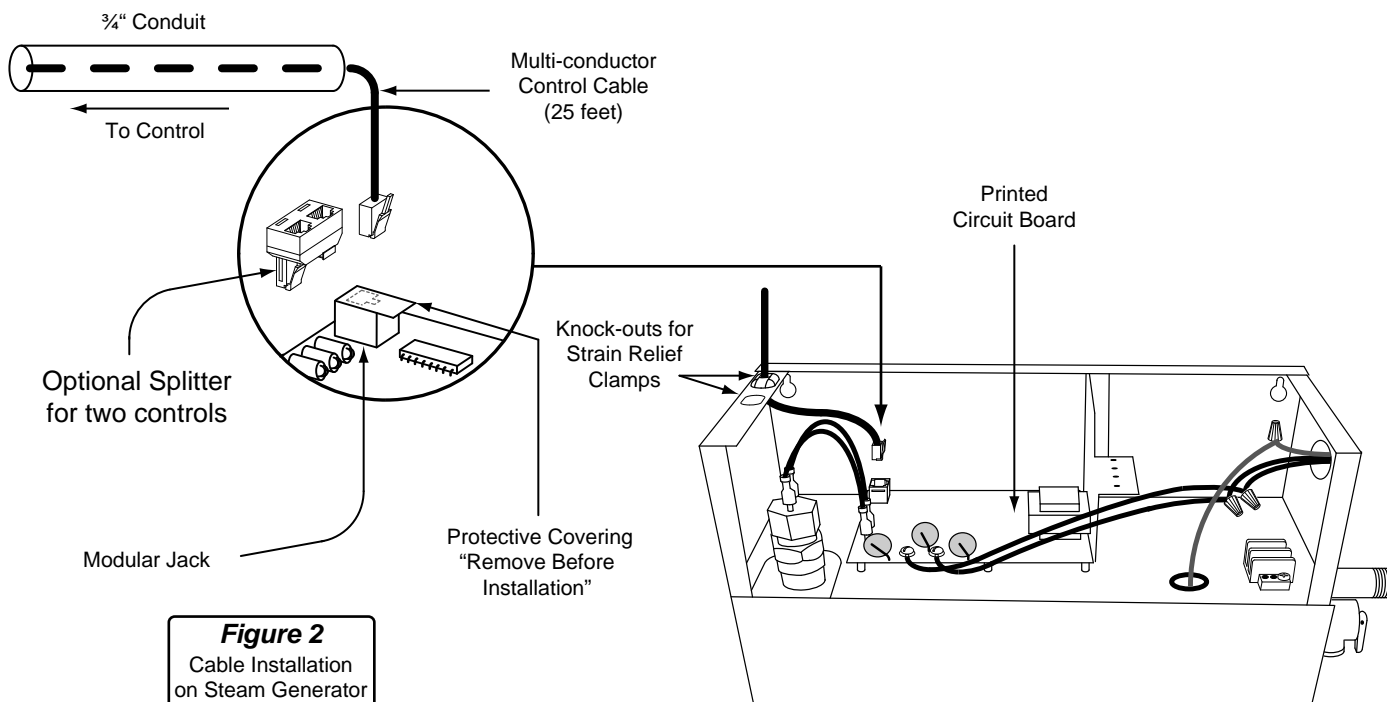


Figure 2
Cable Installation
on Steam Generator

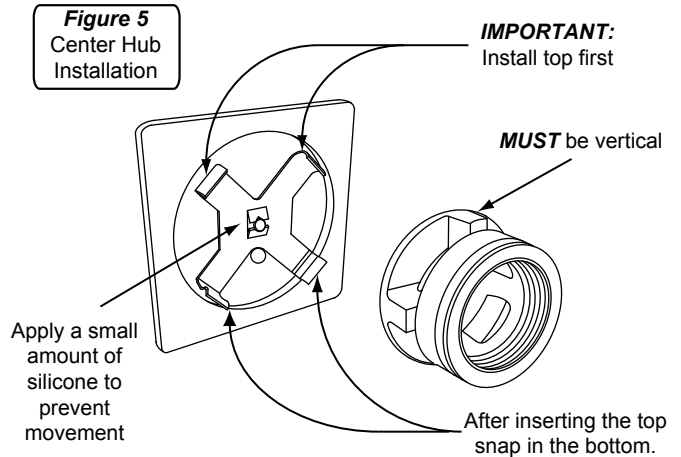
1. Make sure the 3/4" nipple protrudes beyond the tile approximately 1/2". (See Figure 4)

2. Wrap the nipple with pipe sealant tape.

3. Put a bead of silicone around the outer edge of the Back Plate (see Figure 4) and center the back plate over the pipe in an upright position. While holding it in place screw the Center Hub on to the nipple, using a 3/8" Hex Key to tighten.

4. The Center Hub **MUST** be aligned with the four walls in the vertical and horizontal position. (See Figure 5) Make sure the steamhead o-ring is fully seated into the Back Plate. If the nipple is sticking out too far the o-ring will not make a proper seal and the nipple must be adjusted.

5. Apply a small amount of silicone at the back center point of Cover Plate. This will aide in preventing movement of this plate. (See Figure 5)



6. Place the Cover Plate over the Center hub. This is accomplished by first hooking the top and then snapping the bottom into place.

7. Adjust the Back Plate and Cover Plate to line up squarely and clean excess silicone with rubbing alcohol.

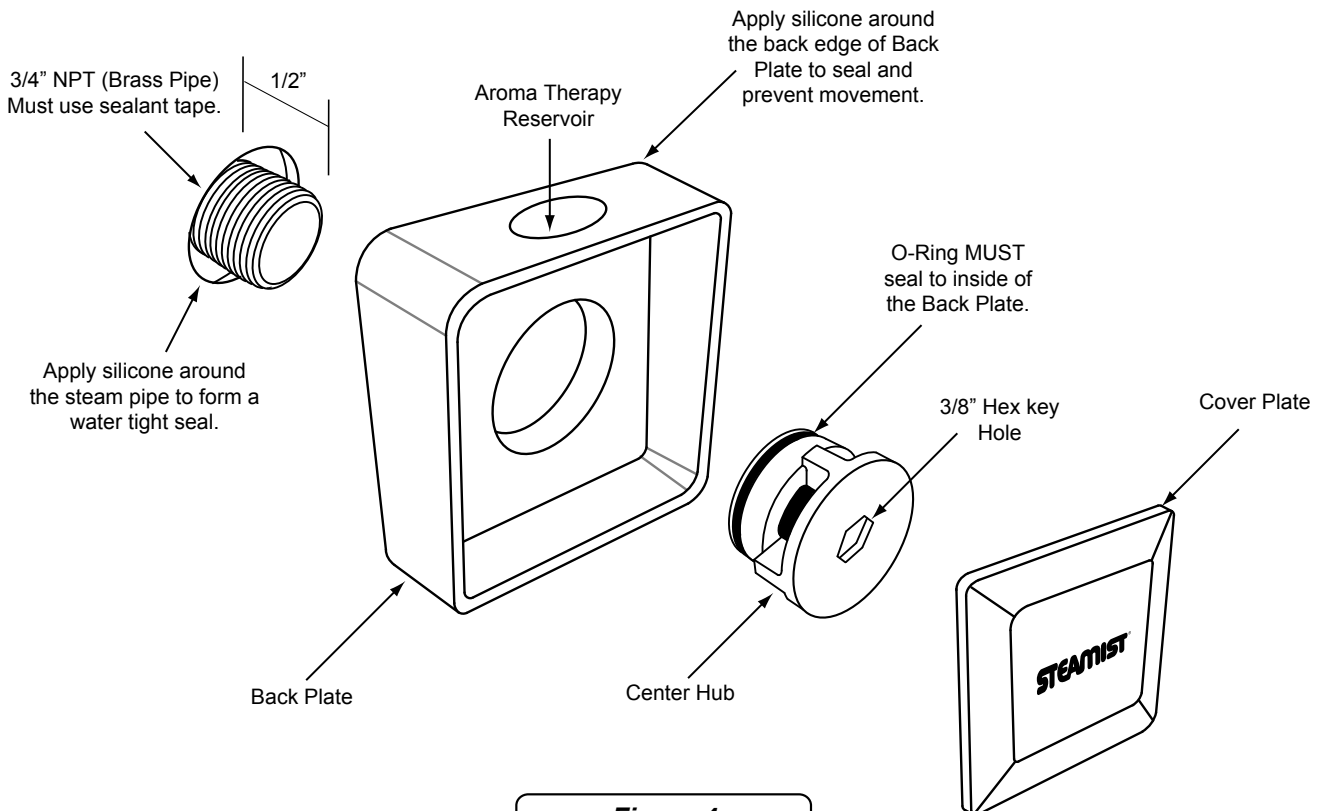
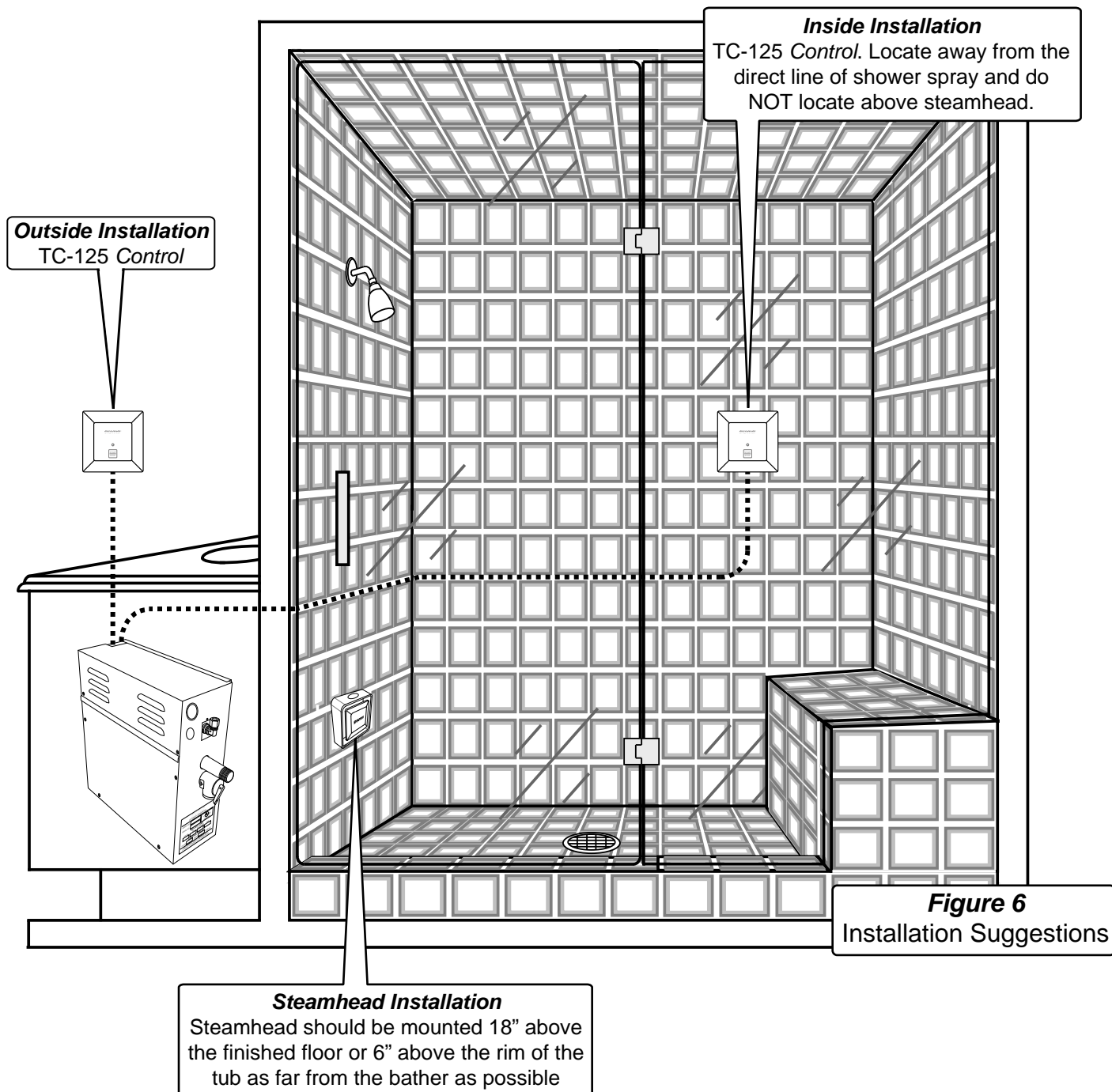


Figure 4
Steamhead Installation

Installation Suggestions



All Instructions must be given to the homeowner for future use.