

Installation and Operating Instructions

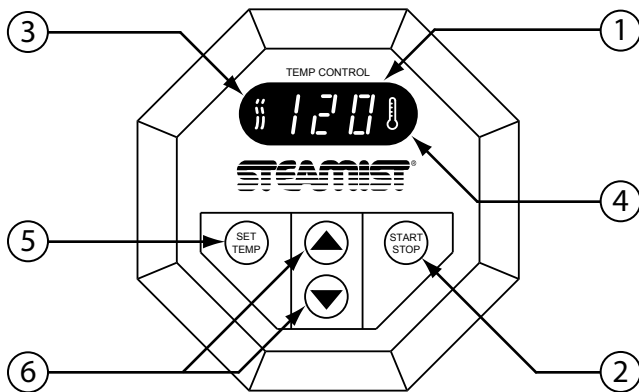


WARNING: Elderly persons, pregnant women, or those suffering from heart disease, high blood pressure, diabetes, or who are otherwise not in good health, do not use this device unless directed to do so by a physician. Also, do not use steambath while under the influence of alcohol.

IMPORTANT: the TC-135 Control will only function with one of the following Steamist Generator models: SM-46, SM-79, SM-4, SM-5, SM-7, SM-8, SM-11, SM-12, SM-15, System-18, System-24, System-30.

Control Features

IMPORTANT: This control must be installed inside the steam room for proper operation of the system.



TC-135
Digital Temperature Control

1. **Temperature Display:** Indicates steam room or set point temperature.
2. **Start/Stop Key Pad:** Press key pad and generator will begin producing steam in a few minutes. The generator will remain on for 30 minutes when used with the models SM-46, SM-79, SM-4, SM-5, SM-7, or SM-8 steam generators and 60 minutes for larger generators. Pressing the key pad a second time will stop the Steam Generator.
3. **Heat Icon:** Indicates the generator is producing steam when illuminated. The heater in the generator and the heat icon will cycle on and off as the temperature is maintained automatically in the steam room.
4. **Temperature icon:** Indicates the set temperature has been reached and the heater in the generator is off. This icon will cycle on and off opposite that of the heat icon.
5. **Set Temperature Key Pad:** Press to display the set point.
6. **Up/Down Key Pads:** Press to adjust the temperature set point.

Cleaning Instructions: Use a damp cloth and mild soap. Do NOT use abrasive cleaners which might scratch the surface or the base of the control.

Installation Instructions

1. Pre-Installation - Control Location

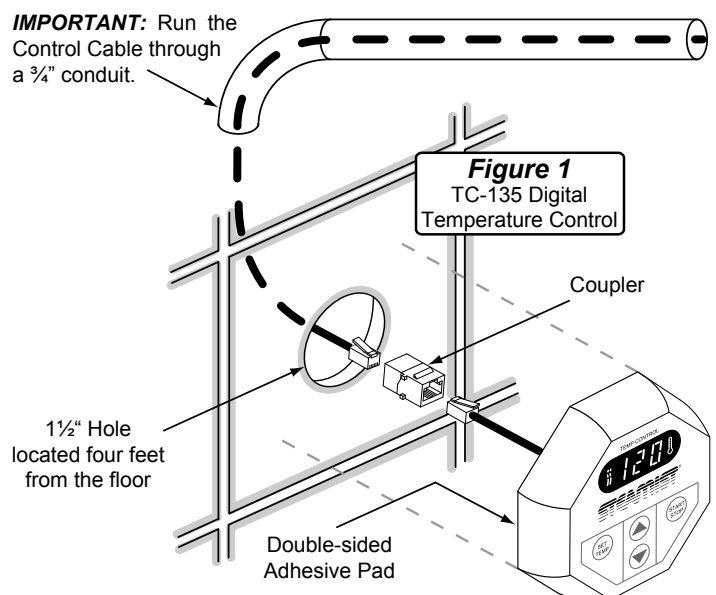
- a) The TC-135 control must be installed inside the steam room. For convenience the recommended height from the floor is four feet. Provide a 1½" hole in the wall at this location (see Figure 1).

IMPORTANT: Multi-conductor cable must be installed so that the end will not be buried inside the wall. The unit will not operate unless the control is

2. Electrical Rough-in

- a) Remove the multi-conductor cable from the control packing box. Carefully route the multi-conductor control cable from the Steambath Generator to the TC-135 located inside the steamroom (see Figure 2). Route multi-conductor cable through a ¾" conduit to protect the cable from damage and to facilitate replacement if necessary.

IMPORTANT: Run the Control Cable through a ¾" conduit.



3. Control and Cable Installation

- a) Locate the previously installed cable and black plastic strain relief clamp which is in the control packing box. Locate the knock-out on the steam generator for the control cable (see Figure 2).
- b) Place strain relief around cable about seven inches from the end and insert into the hole. Remove the protective covering labeled, "Remove before installation," from the modular jack found on the PC board.
- c) If TC-135 is used in conjunction with the optional TC-110 control or Dual System, plug the splitter into the modular jack, this will allow two cables to be plugged into the PC board (see Figure 2).

IMPORTANT: When used with the Optional TC-110 control or Dual System, the Steamist supplied splitter must be used. Locally purchased telephone splitters will *NOT* work and void the warranty.

- d) Remove the protective cap from the multi-conductor cable plug. Connect the cable to the modular jack.
- e) Close and secure generator cover.
- f) Locate Telco Jack at female coupler, on back of the TC-135 control. Remove the protective covering labeled "Remove before Installation". Remove protective cap from cable and plug into jack. Check that the orientation of the plug properly aligns with the jack. A snap will indicate the plug is installed correctly (see Figure 2).

WARNING: Test the control for operation before continuing on to the next step.

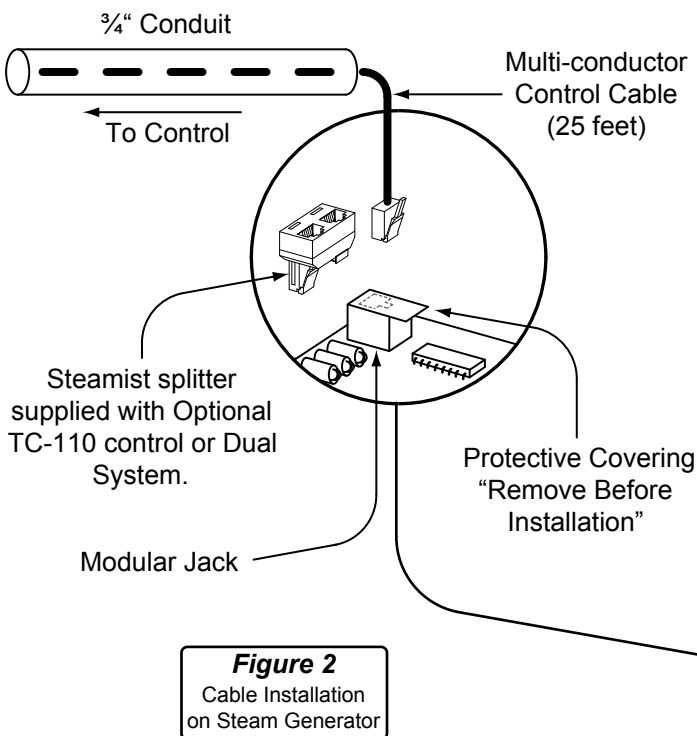


Figure 2
Cable Installation
on Steam Generator

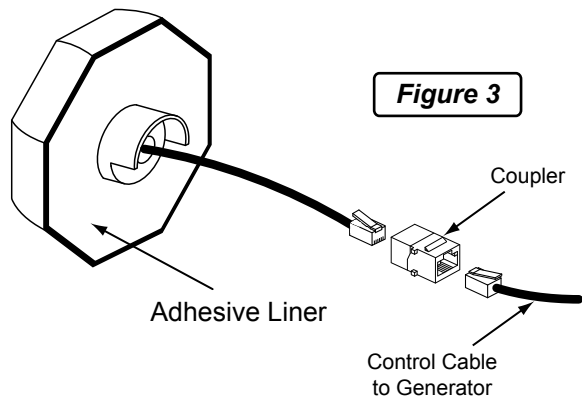


Figure 3

- g) Peel adhesive liner from back of the control. Apply the control to the wall. Press firmly and hold for a few seconds.
- h) After the control is in place, apply silicone (supplied) around the control to form a water tight seal.

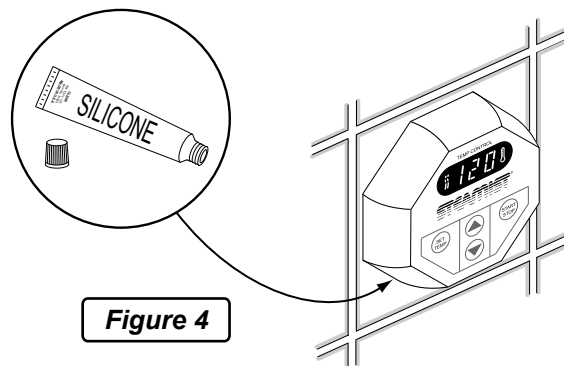
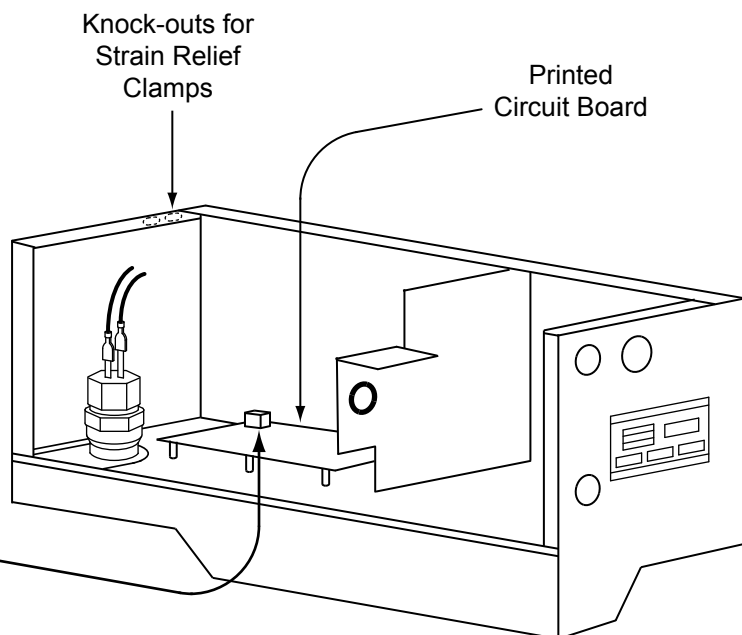


Figure 4

IMPORTANT: The adhesive on the back of the TC-135 control will *NOT* seal this control. It is the responsibility of the installer to seal this control to the wall with the supplied silicone. Water damage to the control is not covered by the warranty.



Start-up and test the Steam Generator and Control.

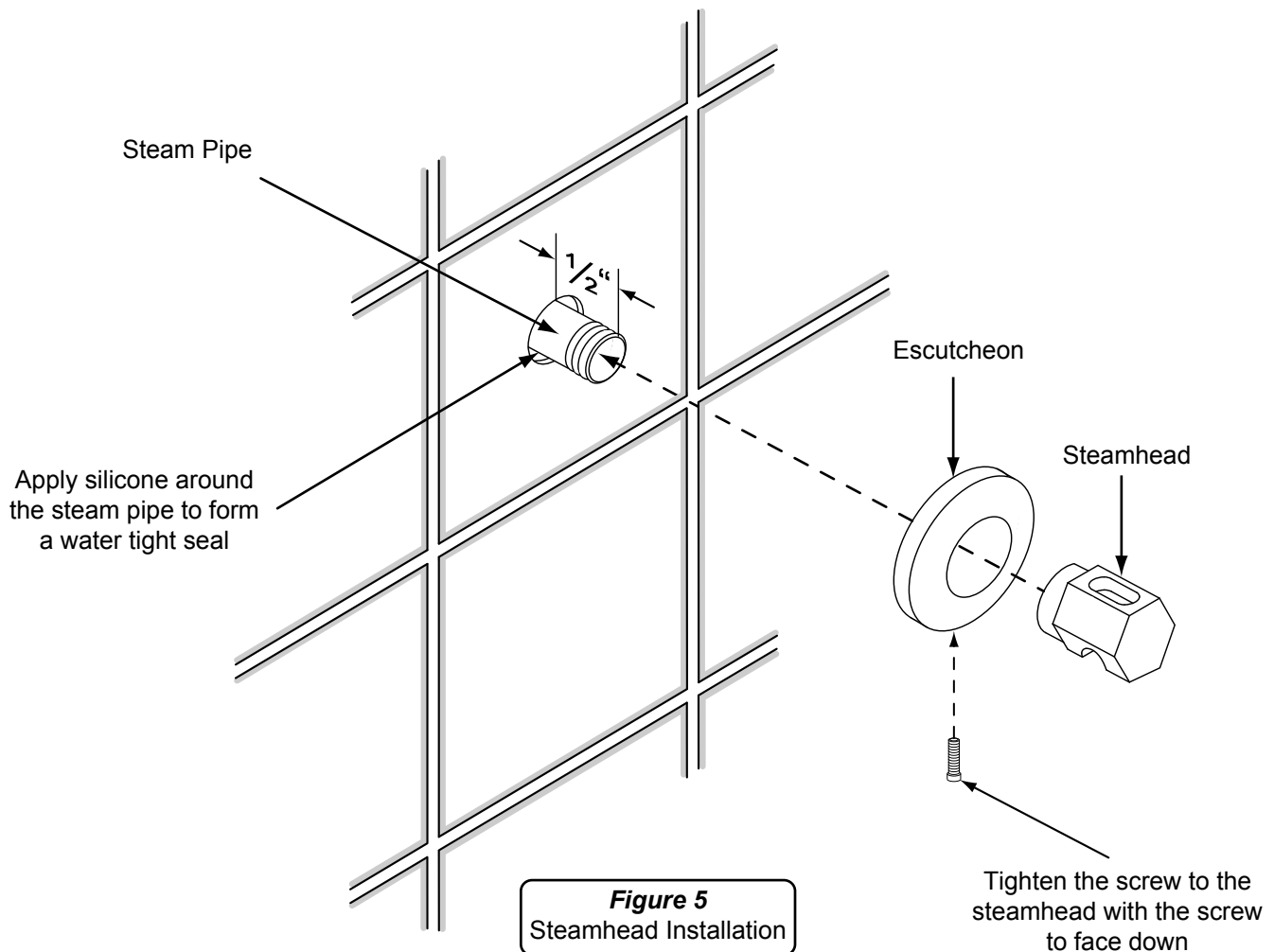
IMPORTANT: The Steam Generator will *NOT* operate without water.

Installation Instruction for Steamhead & Escutcheon
(See Figure 5)

1. Be sure the steam pipe is installed with the proper length pipe protruding through the wall.
2. Apply silicone sealant around the pipe to seal the pipe to the wall.
3. Slip the Escutcheon over the steamhead loosely.
4. Screw on the steamhead making sure the steam opening is facing down.
5. Hold the Escutcheon against the wall and tighten the retaining screw facing down.

WARNING: When installing a steam pipe into a steam room made out of Acrylic, Cultured Marble, Corian, Swanstone, Resin, Plastic or an equivalent type of material, consult the manufacturer of the material for their recommendation on location of the steam pipe. Verify that the type of material used for the construction of the steam room is rated for a steam room environment. When installing a steam pipe, in the mentioned material type rooms, it is very critical in making sure that when the steam pipe protrudes into the steam room that it is centered in its 1 1/4" hole and does not touch the edge of the wall material around the steam pipe.

IMPORTANT An optional steam diffuser (Not Included) is strongly recommended for small steam rooms. This option helps to better diffuse the steam and makes the steambath more comfortable. This option may not be necessary in larger steam rooms where the bather is sitting a few feet away from the steamhead.



Operating Instructions

Operation

Make sure the water and power are turned on. Simply press the Start/Stop keypad to begin the previously programmed cycle. Pressing the Start/Stop a second time will cancel the cycle. After a cycle is started it will take a few minutes for the Steam Generator to heat-up and begin producing steam. During operation the display will show the ambient temperature. The heat light will cycle on and off as the temperature is maintained.

Programming

Adjustments can be made to the temperature control while the system is on or off. Any time the temperature is displayed, it can be adjusted by simply pressing the up or down keypad. The set temperature can be displayed at any time by pressing the Set Temp button. All changes made to the temperature control are stored in memory until changed again. The temperature range is 50° to 130°F (10°C to 55°C).

Additional Features

Memory

The temperature set point is retained even if there is a power failure.

Fahrenheit/Celsius

The temperature display may be changed to Fahrenheit or Celsius by simultaneously pressing and holding the up and down keypad for 5 seconds while the system is off. The display will show the current setting "F" or "C" and then alternate when the change is complete.

Error Message

This control is programmed with a diagnostic feature to help isolate any potential problems. Error messages E0, E1, E2 and E3, indicate a problem internal to the control. If this occurs the control should be repaired or replaced. Error messages E4, E5 and E6 indicated a communication problem with the steam generator. If this error occurs, check both ends of the control cable for clean, dry and secure connections. Dirty contacts can be cleaned with alcohol and a cotton swab or a toothbrush. This can also happen if the control is not sealed and the cable connections get wet.

All Instructions must be given to the homeowner for future use.

Installation Suggestions

