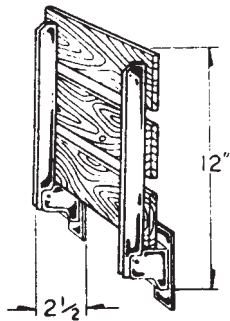


# Tilt-Up Bath & Shower Seat

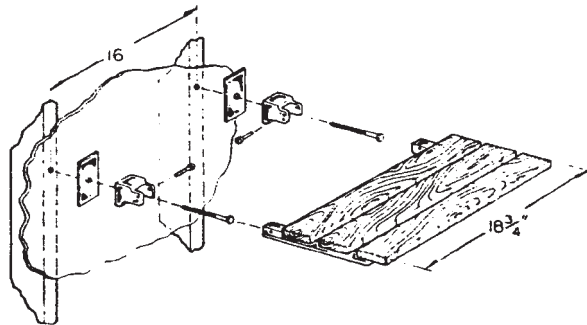


## DIMENSIONS:

Seat Down — 18-3/4" Wide  
                  12-3/4" Projection  
Seat Up — 2-1/2" Projection

## COMPONENTS:

Seat Assembly  
Wall Plates (2)  
Lag Screws (2) 3/8" x 4"  
Lag Anchors (2)



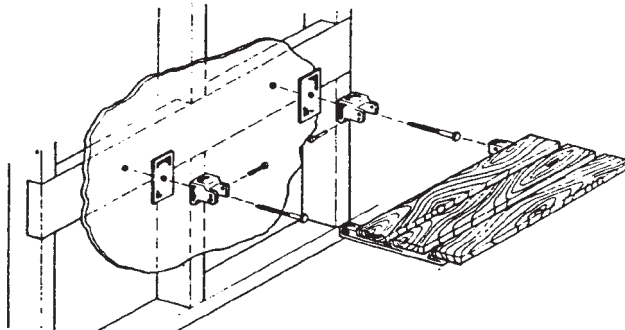
## MOUNTING (WOOD)

STUD WALL: 16" on center (use template provided).  
LAG SCREWS (3/8" x 4") furnished for installation where  
total wall thickness does not exceed 1-1/4". Lag should  
penetrate into the stud a **minimum of 2"**.

## MODEL

TEAK

Steambath/Shower seat for sit down bathing constructed of  
Teak wood slats and solid brass fittings.  
Provided mounting template makes for easy installation  
to a stud wall, header bar or masonry wall.



## MOUNTING (WOOD)

HEADER: 16" on center (use template provided)  
Header to be 2" x 6" or equivalent to assure adequate  
anchor base. Use lag screws as noted for wall studs.

**Call for information on other types of tilt-up shower seats.**