



Cleanse Your Body. Purify Your Soul.

Installation Instructions

Steamer Series

If you are a plumber installing this unit, please leave this owners manual & warranty card with the owner when you finish the installation.

Thank You!

WARNING

- DO NOT USE THIS PRODUCT UNLESS YOU HAVE CONSULTED YOUR DOCTOR AND RECEIVED WRITTEN PERMISSION TO DO SO. USE OF THIS PRODUCT MAY BE HAZARDOUS TO YOUR HEALTH.
- STEAM IS HOT! DO **NOT** TOUCH OR GO NEAR THE STEAM HEAD FROM THE TIME THE UNIT IS "ON", UP TO ONE HOUR FROM THE TIME THE UNIT IS OFF. SEVERE BURN WILL OCCUR IF YOU COME IN CONTACT WITH THE STEAM HEAD OR STEAM EMITTING FROM THE STEAM HEAD.
- NEVER ATTEMPT TO FILL AROMA THERAPY RESERVOIR ON THE STEAM HEAD WHEN UNIT IS IN THE "ON" POSITION. SEVERE BURNS WILL OCCUR.
- DO NOT USE THERMASOL AROMA THERAPY OILS OR SKIN CARE PRODUCTS OR ANY PRODUCT IN CONJUNCTION WITH YOUR THERMASOL UNIT WITHOUT CONSULTING WITH YOUR ALLERGIST OR DOCTOR BEFORE USE. THESE PRODUCTS MAY BE HAZARDOUS TO YOUR HEALTH.
- YOUR SHOWER MAY BE A SLIP AND FALL HAZARD CHECK WITH YOUR CONTRACTOR OR TILE MANUFACTURER REGARDING THE SAFE USE OF YOUR FLOORING IN A STEAM APPLICATION. SLIPPING AND FALLING INTO THE STEAM HEAD ITSELF OR INTO THE STREAM OF STEAM EMITTING FROM THE STEAM HEAD WILL CAUSE SERIOUS BURNS, OR PHYSICAL INJURY.

Note: Before contacting Customer Service for Technical Support, please have the model number and serial number (including all numbers and letters) located on the unit.

Headquarters & Technical Support
2255 Union Place, Simi Valley, CA 93065 – (800) 776-0711

Eastern Sales Office
26 Industrial Avenue, Fairview NJ 07022 – (800) 631-1601
www.thermasol.com

Sizing Your Steam Room

Sizing: 1. Calculate the total volume of the enclosure. (Length x Width x Height = Total Volume).

2. Using the Volume total, multiply by the number to the right of your shower wall material shown below.

Example: 7 ft. long x 4 ft. wide 7 ft. high = 196 cubic feet
196 cubic ft. x 1.65 (marble) = 323.4 cubic ft. = Model TS-80 Steamer Series generator.

NOTE: Add 10% for every foot exceeding 7 ft. in ceiling height.
Add 10% for every exterior outside wall.

▪ Fiberglass, Cultured Marble	.65
▪ Corian	No Change
▪ Ceramic tile on waterproof sheetrock, cement bed or mortar bed	No Change
▪ All glass tile, glass block walls	1.35
▪ Natural stone tiles 3/8" to 1/2" (marble, travertine, slate, granite, etc.)	1.65
▪ Natural stone tiles on cement bed or mortal bed	1.65
▪ Natural stone slab 3/4" to 1"	1.85

See page 11 for generator selection.

For further assistance call toll-free 800-776-0711

Generator Installation Instructions

Parts Enclosed

- Deluxe Steam Head
- Steam generator
- 50 Foot control cord
- Installation instructions
- Warranty card

All ThermaSol steam generators are designed to build NO PRESSURE during operation. This is for your safety.

NOTE: Failure to follow installation instructions specifically will cause the warranty to be void.



Figure 1

Generator Installation Instructions (continued)

Materials Needed

- Brass ball valve
- Pipe compound
- Copper or brass nipples
(Sizes and quantities per instructions)
- In-line filter (recommended)
- 3/8" brass or copper union
- 1/2" brass or copper union
- Wire (sizes and quantities per instructions)
- Copper tubing or pipe
- Wire cap nuts
- Flex conduit
- Brass or copper tee connection & plug
- Silicone
- Drain/spill pan

Tools Needed

- Pipe wrench
- Tubing cutter
- Flaring tool (if flared fittings are used)
- Pipe thread cap
- Wire cutters or wire strippers
- Adjustable wrench
- Screwdrivers (Phillips & regular)
- Solder & Flux
- 1" & 1 1/16" masonry drill bits
- 2.5" hole saw for No Touch steam head
- Drill motor
- Propane Torch
- Silicone gun
- Other tools as required

NOTE:

- **Thermasol steam bath generators are for indoor use only. They should never be located outside the home.**
- **Thermasol steam bath generators are NOT designed to be used for space heating purposes.**

WARNING: Please consult your physician before using. If you are pregnant, elderly, have high blood pressure, diabetes, suffering from heart disease, intoxicated, or not in good health, do not use this steam bath.

CONSUMER WARNING

WARNING

DO NOT USE THIS PRODUCT UNLESS YOU HAVE CONSULTED WITH YOUR DOCTOR AND RECEIVED WRITTEN PERMISSION TO DO SO. USE OF THIS PRODUCT MAY BE HAZARDOUS TO YOUR HEALTH.

WARNING

NEVER ATTEMPT TO FILL AROMA RESERVOIR ON THE STEAM HEAD WHEN UNIT IS IN THE ON POSITION. SEVERE BURNS WILL OCCUR.

WARNING

DO NOT USE THERMASOL AROMA THERAPY OILS OR SKIN CARE PRODUCTS OR ANY PRODUCT IN CONJUNCTION WITH YOUR THERMASOL UNIT WITHOUT CONSULTING WITH YOUR ALLERGIST OR DOCTOR BEFORE USE. THESE PRODUCTS MAY BE HAZARDOUS TO YOUR HEALTH.

WARNING

YOUR SHOWER MAY BE A SLIP AND FALL HAZARD CHECK WITH YOUR CONTRACTOR OR FLOORING MANUFACTURER REGARDING THE SAFE USE OF YOUR FLOORING IN A STEAM APPLICATION. SLIPPING AND FALLING INTO THE STEAM HEAD ITSELF OR INTO THE STREAM OF STEAM EMITTING FROM THE STEAM HEAD WILL CAUSE SERIOUS BURNS, OR PHYSICAL INJURY.

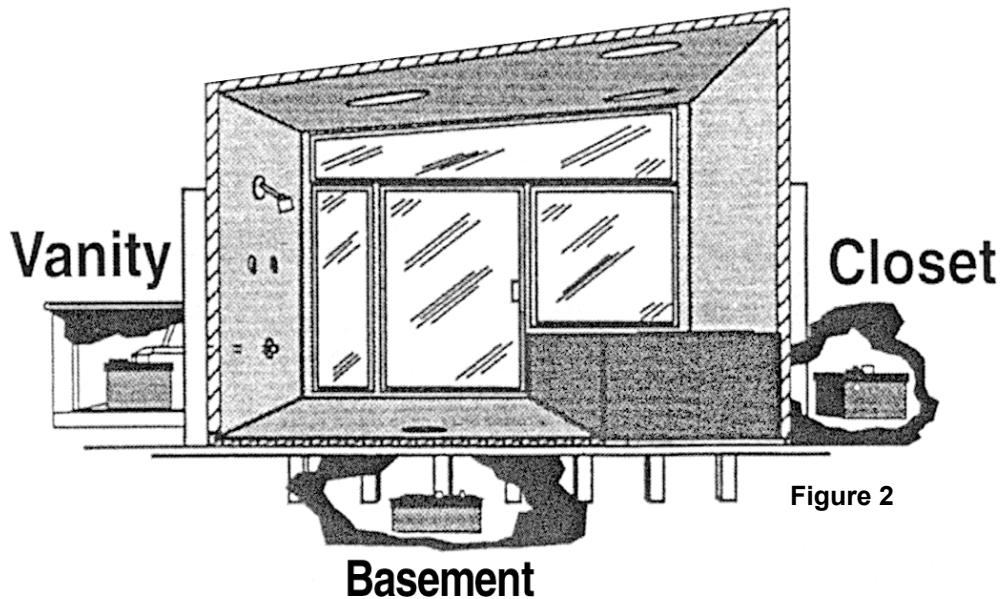
WARNING

STEAM IS HOT! DO NOT TOUCH OR GO NEAR THE STEAM HEAD FROM THE TIME THE UNIT IS “ON”, UP TO ONE HOUR AFTER IT HAS SHUT OFF. SEVERE BURN WILL OCCUR IF YOU COME IN CONTACT WITH THE STEAM HEAD OR STEAM EMITTING FROM THE STEAM HEAD.

Requirements for proper installation

1. Ensure the enclosure to be used is vapor proof. It should have a vapor proof door that seals well so the steam does not escape. Make sure the wall, ceiling and the floor materials are ok to use with steam and hot condensation, the steam produces.
2. Use copper or brass fittings only. **(NEVER USE GALVANIZED FITTINGS)**
3. **The water inlet and steam outlet should use a brass union for easy installation. Install a drain/spill pan under the unit.**
4. The generator must be upright, accessible and on a level surface. Access panel must be unobstructed and allow for easy access. See figure 1.
5. Unit may be installed up to 50 feet away from shower area. In a dry well ventilated area.
6. **Do not** plumb a trap in the steam line.
7. Pitch steam line back towards generator and **avoid perfectly level plumbed lines**.
8. Before connecting water line to the generator, flush water line into a five-gallon pail to remove any silt or other materials that may be in the line. An in-line water filter is also recommended.
9. Make sure water is turned on to the unit before operating the unit.

NOTE: Failure to follow specific installation instructions will cause the warranty to be void.



Water Inlet Installation

Refer to figure 3 for the following:

1. Install a drain/spill pan under the unit. Connect a tee to the cold water line. Install copper pipe to the tee. An in-line filter is recommended.
2. Install a brass shut-off valve on the water inlet line in an accessible area prior to the brass union and recommended in-line water filter.
3. Before making the last connection to the 3/8" water inlet line coming to the unit, flush the water line into a five-gallon pail to remove any silt or other materials that may be in the line.
4. Make the final connection and turn on water. All ThermaSol generators are equipped with an automatic water fill system. The water will stop after unit is filled.
5. The steam line can run up, down, or horizontal; but cannot run down and then up. If it does, a steam trap will be produced at the low point blocking the flow of steam. Insulate the steam outlet piping if the piping run exceeds 10 feet or is exposed to cold areas. NOTE: Use steam rated insulation.

IMPORTANT: MAXIMUM WATER PRESSURE not to exceed 50 P.S.I.

WARNING: The steam head is HOT! Do not locate near a seat or bench, hot steam will burn you. Keep at least 12-14 inches away from hot steam exiting the steam head.

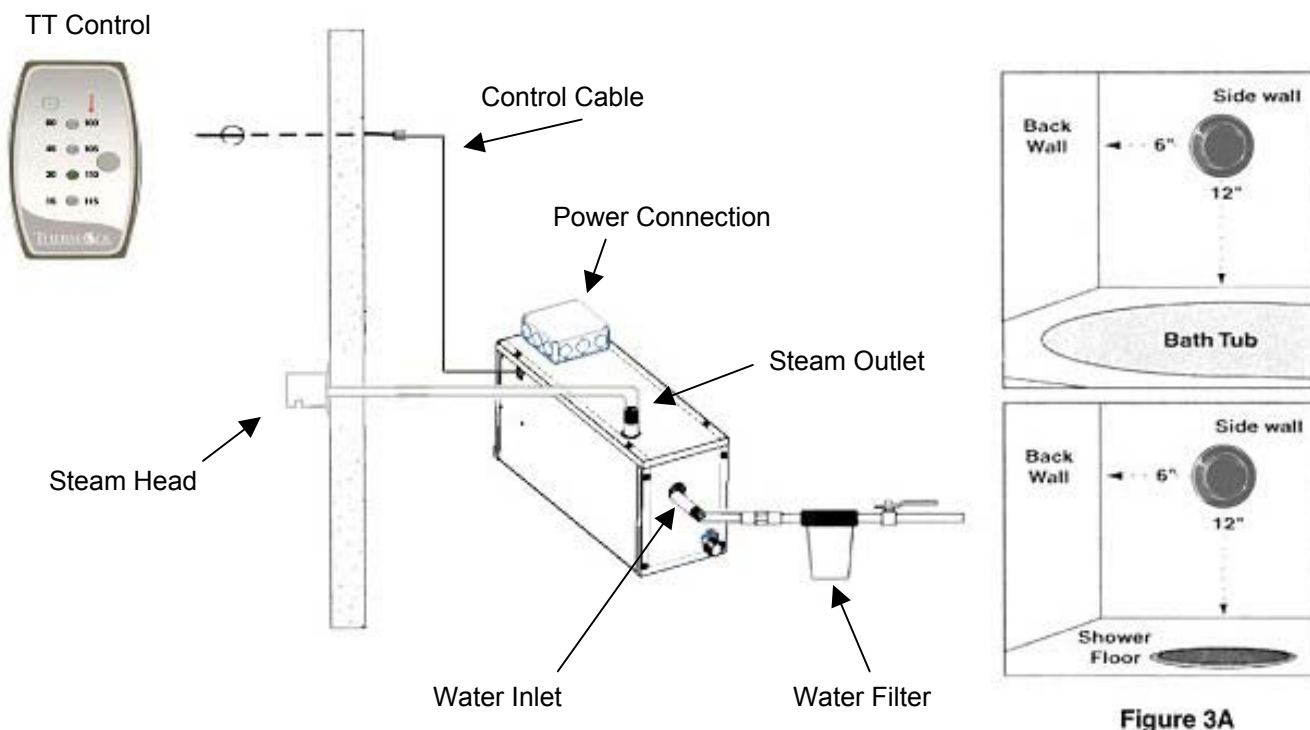


Figure 3

NOTE: The generator must be mounted level.

CONSUMER WARNING

WARNING

DO NOT USE THIS PRODUCT UNLESS YOU HAVE CONSULTED YOUR DOCTOR AND RECEIVED WRITTEN PERMISSION TO DO SO. USE OF THIS PRODUCT MAY BE HAZARDOUS TO YOUR HEALTH.

WARNING

STEAM IS HOT! DO NOT TOUCH OR GO NEAR THE STEAM HEAD FROM THE TIME THE UNIT IS “ON”, UP TO ONE HOUR AFTER IT HAS SHUT OFF. SEVERE BURN WILL OCCUR IF YOU COME IN CONTACT WITH THE STEAM HEAD OR STEAM EMITTING FROM THE STEAM.

WARNING

NEVER ATTEMPT TO FILL AROMA RESERVOIR ON THE STEAM HEAD WHEN UNIT IS IN THE ON POSITION. SEVERE BURNS WILL OCCUR.

WARNING

YOUR SHOWER MAY BE A SLIP AND FALL HAZARD CHECK WITH YOUR CONTRACTOR OR FLOORING MANUFACTURER REGARDING THE SAFE USE OF YOUR FLOORING IN A STEAM APPLICATION. SLIPPING AND FALLING INTO THE STEAM HEAD ITSELF OR INTO THE STREAM OF STEAM EMITTING FROM THE STEAM HEAD WILL CAUSE SERIOUS BURNS, OR PHYSICAL INJURY.

WARNING

DO NOT USE THERMASOL AROMA THERAPY OILS OR SKIN CARE PRODUCTS OR ANY PRODUCT IN CONJUNCTION WITH YOUR THERMASOL UNIT WITHOUT CONSULTING WITH YOUR ALLERGIST OR DOCTOR BEFORE USE. THESE PRODUCTS MAY BE HAZARDOUS TO YOUR HEALTH.

Steam head Installation

Instruction for Deluxe steam head

Parts Enclosed

- Deluxe Steam head
- Escutcheon

Material Needed

- Clear Silicone

Tools Needed

- Pipe Wrench
- 7/8" cutting tool
- Silicone gun
- Other tools as required

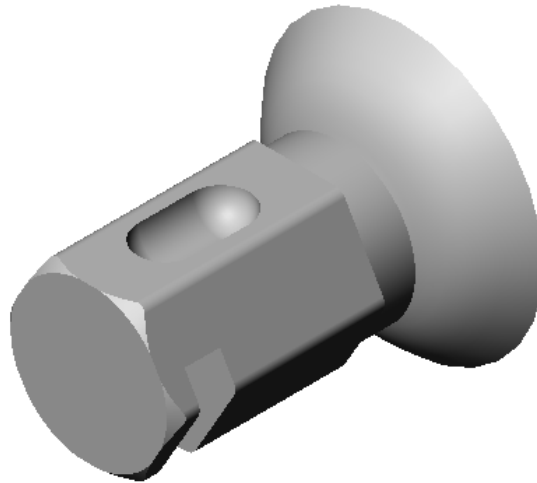


Figure 7

1. Drill a 7/8" diameter hole in the shower wall or wall above the bathtub for the steam outlet line. Refer to figure 6 as a guide for the proper location of the hole.
 - ◆ **CAUTION: The steam head is hot! And should not be located near a seat or bench!**
2. Connect 1/2" F.I.P. copper pipe or copper tubing and 1/2" brass union onto the steam outlet. Run a 1/2" copper pipe from the union to the 7/8" hole in wall. See figure 8.
3. Attach the steam head and escutcheon to the copper pipe. **CAUTION: Do not obstruct the steam line with any shut-off valves, plugs or caps. ALL ThermaSol steam generators are designed to build NO PRESSURE.**
 - ◆ The steam line can run up, down, or horizontal; but cannot run down and then up. If it does, a steam trap will be produced at the low point blocking the flow of steam. Insulate the steam outlet piping if the piping run exceeds 10 feet or is exposed to cold areas. **NOTE: Use steam rated insulation.**

****Avoid contact with steam head! It will burn you. Avoid direct contact with the steam coming out of the steam head! It is extremely hot! It will burn you!**

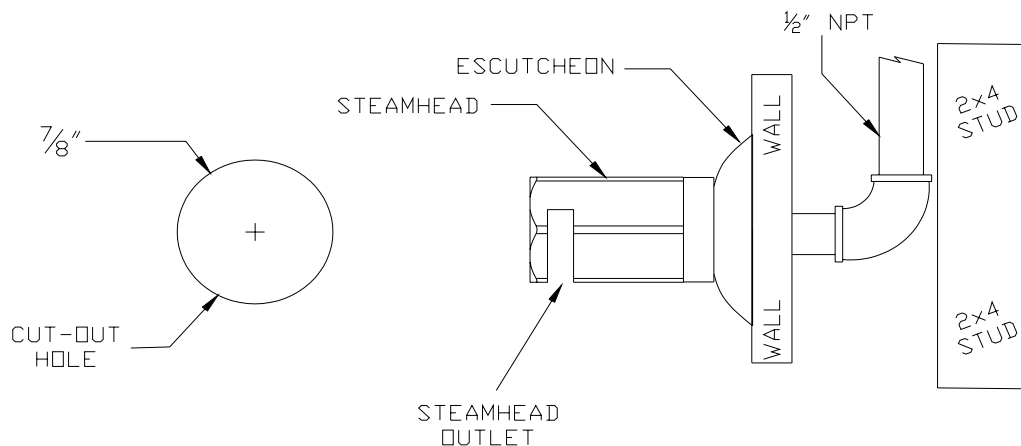


Figure 8

CONSUMER WARNING

WARNING

DO NOT USE THIS PRODUCT UNLESS YOU HAVE CONSULTED YOUR DOCTOR AND RECEIVED WRITTEN PERMISSION TO DO SO. USE OF THIS PRODUCT MAY BE HAZARDOUS TO YOUR HEALTH.

WARNING

STEAM IS HOT! DO NOT TOUCH OR GO NEAR THE STEAM HEAD FROM THE TIME THE UNIT IS “ON”, UP TO ONE HOUR AFTER IT HAS SHUT OFF. SEVERE BURN WILL OCCUR IF YOU COME IN CONTACT WITH THE STEAM HEAD OR STEAM EMITTING FROM THE STEAM.

WARNING

NEVER ATTEMPT TO FILL AROMA RESERVOIR ON THE STEAM HEAD WHEN UNIT IS IN THE ON POSITION. SEVERE BURNS WILL OCCUR.

WARNING

YOUR SHOWER MAY BE A SLIP AND FALL HAZARD CHECK WITH YOUR CONTRACTOR OR FLOORING MANUFACTURER REGARDING THE SAFE USE OF YOUR FLOORING IN A STEAM APPLICATION. SLIPPING AND FALLING INTO THE STEAM HEAD ITSELF OR INTO THE STREAM OF STEAM EMITTING FROM THE STEAM HEAD WILL CAUSE SERIOUS BURNS, OR PHYSICAL INJURY.

WARNING

DO NOT USE THERMASOL AROMA THERAPY OILS OR SKIN CARE PRODUCTS OR ANY PRODUCT IN CONJUNCTION WITH YOUR THERMASOL UNIT WITHOUT CONSULTING WITH YOUR ALLERGIST OR DOCTOR BEFORE USE. THESE PRODUCTS MAY BE HAZARDOUS TO YOUR HEALTH.

Electrical Installation

NOTE: All electrical wiring must be done per National/Local Electrical Codes.

ThermaSol requires that a licensed electrician perform all electrical work.

NOTE: USE COPPER WIRE ONLY.

Wire sizes recommended by National Electric Code. Minimum wire temperature rating 90C.

Generator Model	Wire Gauge	Breaker Size	Cubic Feet	kW
TS-35	14	20	90	3.5
TS-60	10	30	150	6
TS-80	8	40	300	8
TS-100	8	50	450	10
TS-120	6	60	575	12

1. Turn off all electricity to the working area at the main breaker panel!
2. Plug Connect 230-volt AC electrical lines to wires labeled 1 & 2 in junction box on generator, (see figure 3 and figure 9).

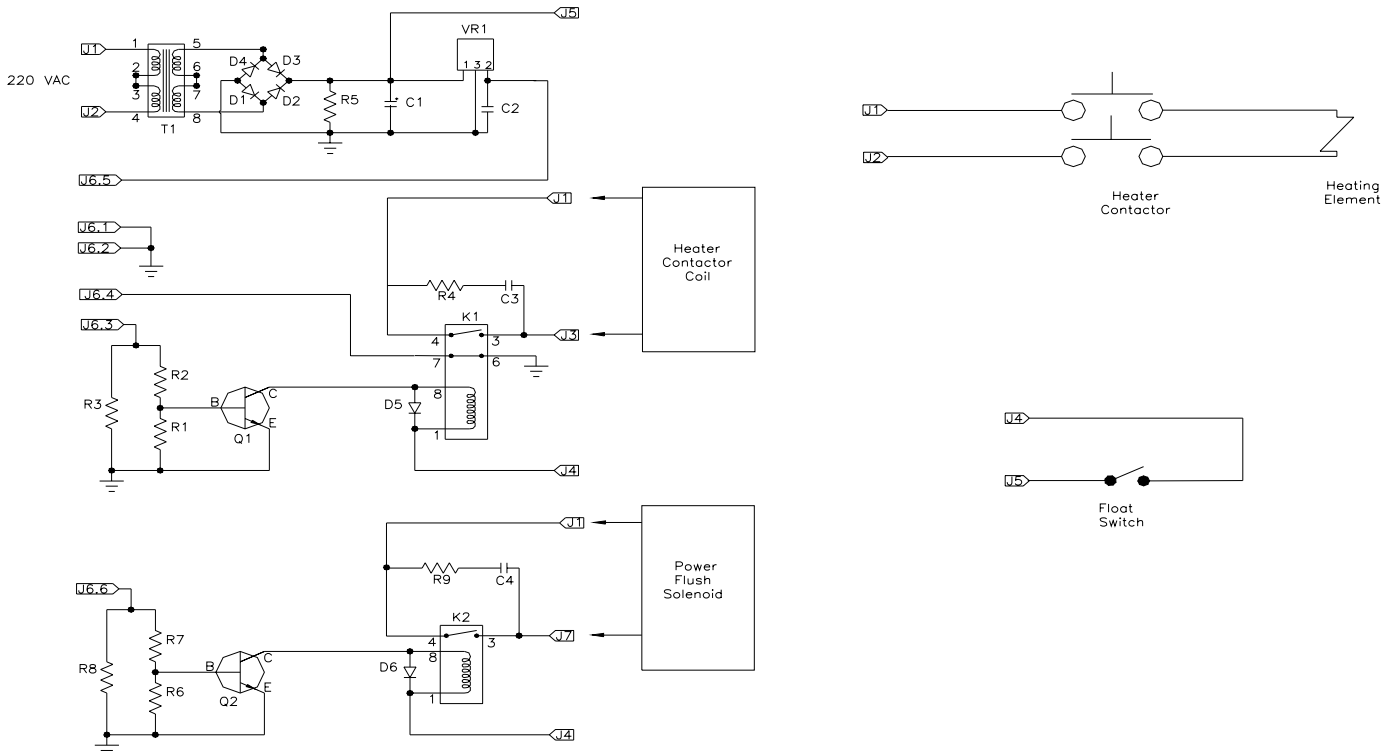


Figure 9
Steam Generator Schematic Diagram

CONSUMER WARNING

WARNING

DO NOT USE THIS PRODUCT UNLESS YOU HAVE CONSULTED YOUR DOCTOR AND RECEIVED WRITTEN PERMISSION TO DO SO. USE OF THIS PRODUCT MAY BE HAZARDOUS TO YOUR HEALTH.

WARNING

STEAM IS HOT! DO NOT TOUCH OR GO NEAR THE STEAM HEAD FROM THE TIME THE UNIT IS “ON”, UP TO ONE HOUR AFTER IT HAS SHUT OFF. SEVERE BURN WILL OCCUR IF YOU COME IN CONTACT WITH THE STEAM HEAD OR STEAM EMITTING FROM THE STEAM.

WARNING

NEVER ATTEMPT TO FILL AROMA RESERVOIR ON THE STEAM HEAD WHEN UNIT IS IN THE ON POSITION. SEVERE BURNS WILL OCCUR.

WARNING

YOUR SHOWER MAY BE A SLIP AND FALL HAZARD CHECK WITH YOUR CONTRACTOR OR FLOORING MANUFACTURER REGARDING THE SAFE USE OF YOUR FLOORING IN A STEAM APPLICATION. SLIPPING AND FALLING INTO THE STEAM HEAD ITSELF OR INTO THE STREAM OF STEAM EMITTING FROM THE STEAM HEAD WILL CAUSE SERIOUS BURNS, OR PHYSICAL INJURY.

WARNING

DO NOT USE THERMASOL AROMA THERAPY OILS OR SKIN CARE PRODUCTS OR ANY PRODUCT IN CONJUNCTION WITH YOUR THERMASOL UNIT WITHOUT CONSULTING WITH YOUR ALLERGIST OR DOCTOR BEFORE USE. THESE PRODUCTS MAY BE HAZARDOUS TO YOUR HEALTH.

TT One Touch Installation Instructions

1. The TimeTemp digital control must be located inside the shower area.
2. Position the control 4 to 6 feet from the floor inside the steam room.
Drill one 1-1/16" hole in the wall.
3. Bring the modular cable from the generator through the 1-1/16" hole. Plug the modular connector of the control in to one side of the coupler. Plug the modular connector of the generator in to the other side of the coupler.
Route the cable so that the coupler is located ABOVE the hole in the wall.
Do not pinch, nail, staple, wedge etc. the cable.
Do not wrap the cable around steam line or otherwise route it in such a manner that the hot steam line could melt the cable.
Any damage to the control cable will result in the control not working properly.
4. Connect the other end of the cable to the generator before turning power on to the generator.
5. Turn on both water and power to the generator.
6. Test the control to ensure it is properly connected.
If any technical problems arise, call toll-free 800-776-0711.
7. **THESE STEPS MUST BE TAKEN OR YOUR WARRANTY WILL BE VOID.**
Coat the entire control back with supplied waterproof silicon. Completely seal the control to the wall so moisture does not get behind it. Place the control on the wall pressing firmly. You may need to tape the control into place until the silicone dries. Be careful not to harm the wall/control with the tape. Refer to figure 10.
Let dry for 24 hours before using steam bath.
8. Refer to operation instructions for control functions.

Failure to follow installation instructions specifically may cause the warranty to be void!

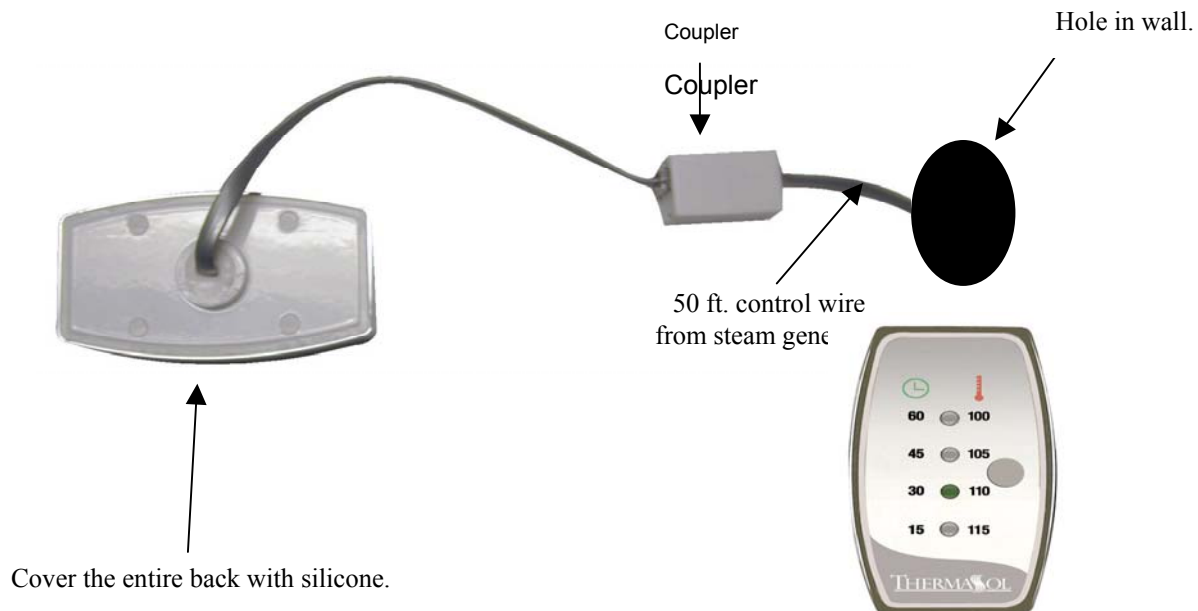


Figure 10