

Steambath Generator

Models: TSG-7 and TSG-10

The Steamist "TSG" Generator comes factory assembled, carefully wired and tested.

The Plumbing Installation must conform to local and national codes. All electrical power should be turned OFF when working with Steam Generator.

1. Pre-Installation

- a) Be sure that the proper size Steam Generator has been selected by using the sizing page in the "Full Line Brochure," "Pricing Guide," "The Generator Sizing Guide," "Architectural Guidelines," or in the Residential Systems/Steambath Product Information section of the Steamist website - www.steamist.com.

CAUTION: An improperly sized Steam Generator may NOT produce the amount of steam necessary to reach selected temperature.

IMPORTANT: Refer to page 4 for model required for cubic foot rating.

- b) The Steam Generator should be located as close as possible to the Steamroom/Shower or tub enclosure. Steam pipe should NOT exceed twenty-five feet in length. If the steam pipe exceeds ten feet, use an appropriate pipe insulation rated for a minimum of 212°F. Possible locations include Vanity, Closets, or Basement near bath area. The serial number plate should be visible and the Steam Generator should be accessible for service. Refer to Installation Suggestions on page 4. Do NOT install Generator outdoors, in a moist, humid area, or in an area where parts may freeze or corrode. Also, do NOT install near flammable materials such as paints, thinners, gasoline, etc.
- c) The steam line and safety valve reach a temperature of 212°F during operation and should be appropriately protected to prevent personal injury by accidental contact.

2. Plumbing Rough-in

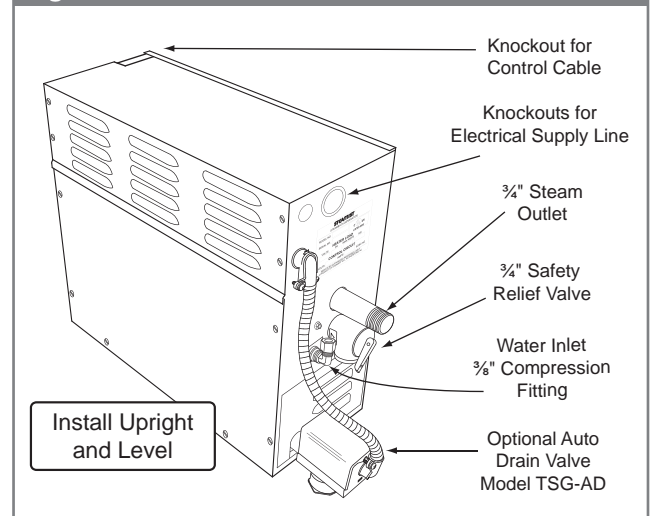
Plumbing rough-in is required for the water supply and steam line; this should be completed before the walls are closed. For operation, the "TSG" Steam Generator requires a $\frac{3}{8}$ " O.D. copper tubing to the fitting on the generator for water inlet and a $\frac{3}{4}$ " copper or brass pipe for steam outlet.

NOTE: Safety Valve should be connected to a minimum $\frac{3}{4}$ " indirect waste or as required by local plumbing codes. In the unlikely event this valve should open, the discharge must be directed to prevent damage to the home.

- a) **Water Inlet** - A water line should be roughed in from existing $\frac{1}{2}$ " hot or cold water pipe. Using a $\frac{1}{2}$ " x $\frac{3}{8}$ " tee, cut and solder tee into the existing water line (see Figure 4 on page 3). Solder a piece of $\frac{3}{8}$ " copper tubing into tee. Rough-in for water supply is now complete.
- b) **Steam Outlet** - Rough in the steam line using a minimum of a $\frac{3}{4}$ " copper or brass pipe; do NOT use black iron or galvanized pipe; it will rust and discolor the wall of the steambath. The steamhead location should be 18" above the shower floor or 6" above the rim of the bathtub, as far from the seating area as possible.

CAUTION: No shutoff valve can be installed in the steam line. Do NOT create traps or valleys in this line which would trap condensation and block the flow of steam. The steam pipe should be pitched allowing condensation to run back toward the Steam Generator (preferred), or toward the steamhead.

Figure 1 - Steam Generator



WARNING: Elderly persons, pregnant women, or those suffering from heart disease, high blood pressure, diabetes, or who are otherwise not in good health, do not use this device unless directed to do so by a physician. Also, do not use steambath while under the influence of alcohol.

IMPORTANT: The warranty of this product is voided if it is used in a commercial application or for anything other than a residential steambath installation.

Installation Instructions

Models: TSG-7 and TSG-10

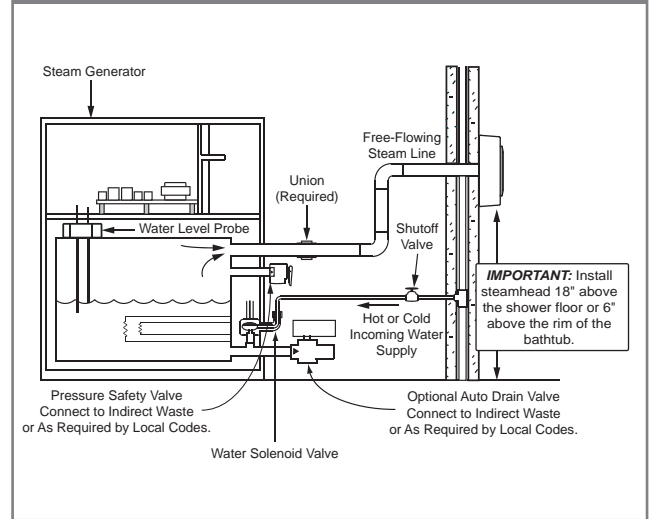
3. Steam Generator Installation

The Steam Generator should be mounted in a location convenient for hook-up and service by the plumber and electrician.

CAUTION: The Steam Generator is designed to be used ONLY in an upright and level position; to do otherwise would damage the unit and void the warranty.

- a) The Steam Generator can be mounted to a wall or set on the floor. However, the unit must be secured. To secure the unit to a vertical wall, loosen the two screws holding the electrical access cover, remove cover (see Figure 1). Located inside the cabinet near the top left and right corners are mounting holes. Place top cover back and secure.
- b) Connect the 3/8" water supply, described in Section 2, to the Steam Generator by first soldering a 3/8" valve into the previously installed water line. The valve must be kept in an open position during normal operation. In areas where high water pressure may be a problem, a water hammer arrestor or a pressure regulator should be installed. Complete water supply by connecting 3/8" copper tubing from the valve to the water inlet compression fitting. Refer to Figure 2.
- IMPORTANT:** Do NOT use a "saddle valve" or piercing type valve for water connection.
- c) Connect the steam line from rough-in location described in Section 2 to the 3/4" nipple on the Steam Generator using a union.

Figure 2 - Plumbing Diagram



- d) In the shower, place the center of the escutcheon onto the steam pipe and screw the steamhead into place. Care must be taken not to scratch the steamhead or escutcheon with wrench. After the plumbing connections are complete the electrician may finish wiring the unit.

3199 Series Steamhead Installation Instructions

1. Make sure the 3/4" nipple protrudes beyond the tile approximately 1/2". (See Figure 3)
2. Wrap the nipple with pipe sealant tape.
3. Put a bead of silicone around the outer edge of the Back Plate (see Figure 3) and center the Back Plate over the pipe in an upright position. While holding it in place, screw the Center Hub onto the nipple, using a 3/8" hex key to tighten.
4. The Center Hub MUST be aligned with the four walls in the vertical and horizontal position (See Figure 3a). Make sure the steamhead O-ring is fully seated into the Back Plate.

If the nipple is sticking out too far the O-ring will not make a proper seal and the nipple must be adjusted.

5. Apply a small amount of silicone at the back center point of the Cover Plate. This will aid in preventing movement of this plate. (See Figure 3a)
6. Place the Cover Plate over the Center Hub. This is accomplished by first hooking the top and then snapping the bottom into place.
7. Adjust the Back Plate and Cover Plate to line up squarely, and clean excess silicone with rubbing alcohol.

Figure 3 - Steamhead Installation

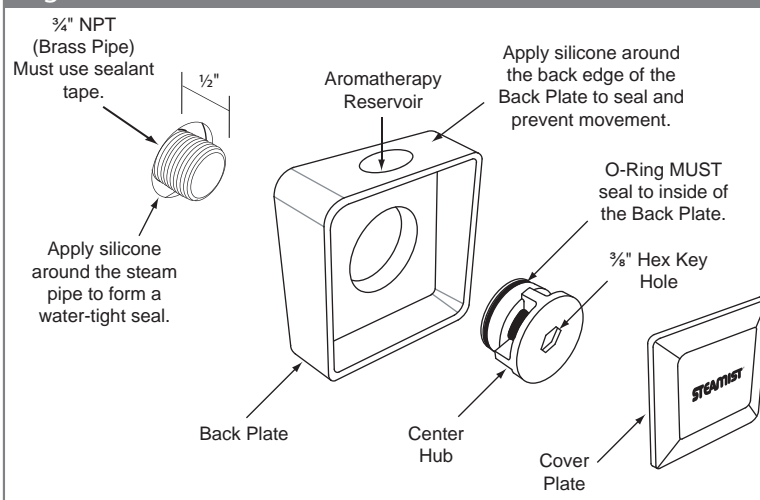


Figure 3a - Center Hub Installation

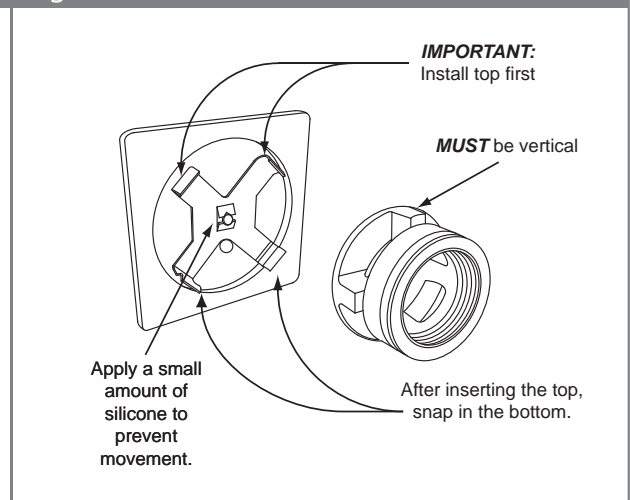


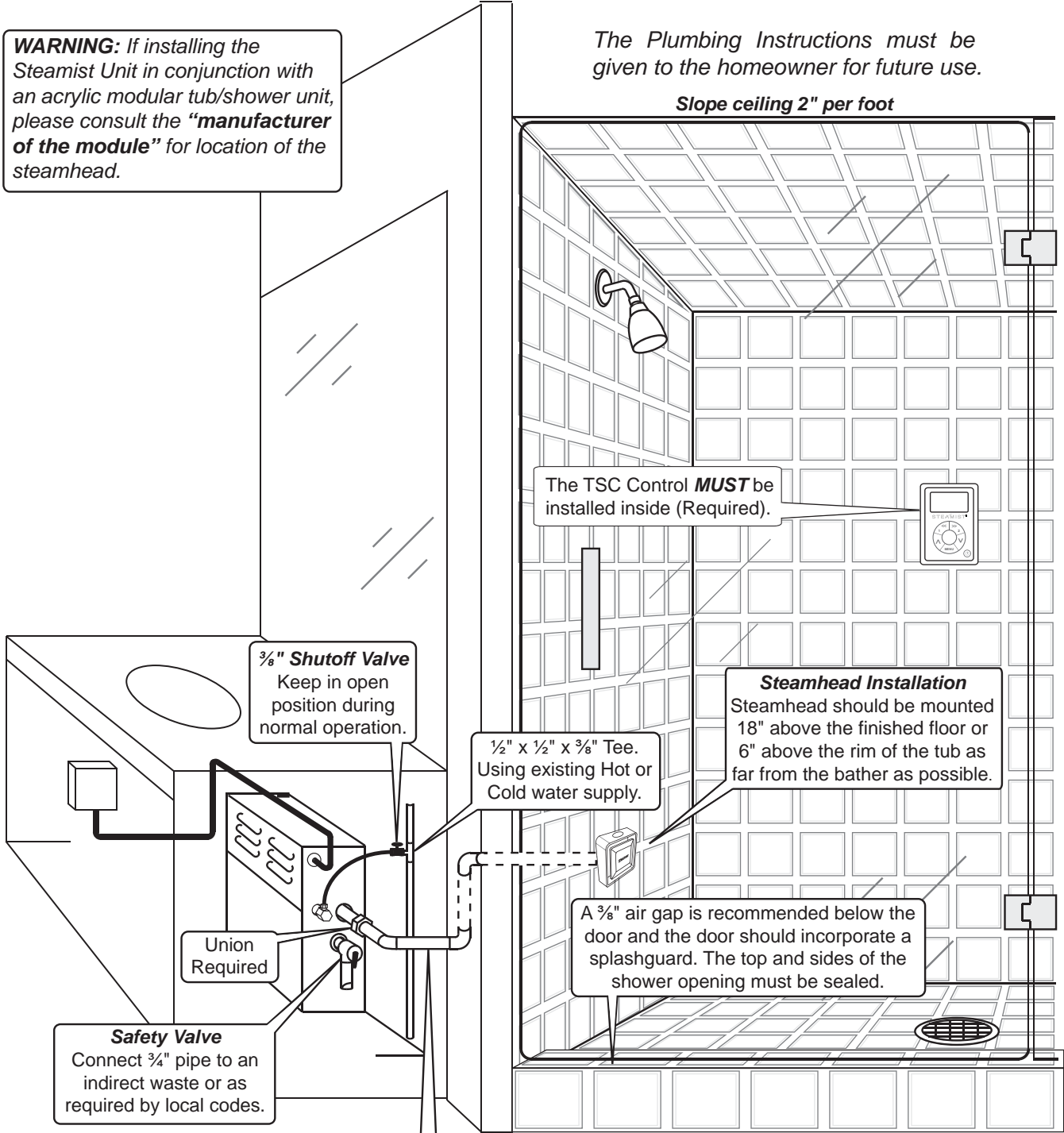
Figure 4 - Typical Installation

Models: TSG-7 and TSG-10

WARNING: If installing the Steamist Unit in conjunction with an acrylic modular tub/shower unit, please consult the “**manufacturer of the module**” for location of the steamhead.

The Plumbing Instructions must be given to the homeowner for future use.

Slope ceiling 2" per foot



The TSC Control **MUST** be installed inside (Required).

3/8" Shutoff Valve
Keep in open position during normal operation.

1/2" x 1/2" x 3/8" Tee.
Using existing Hot or Cold water supply.

Steamhead Installation
Steamhead should be mounted 18" above the finished floor or 6" above the rim of the tub as far from the bather as possible.

A 3/8" air gap is recommended below the door and the door should incorporate a splashguard. The top and sides of the shower opening must be sealed.

Union Required

Safety Valve
Connect 3/4" pipe to an indirect waste or as required by local codes.

Steam Outlet Pipe - Use a minimum of a 3/4" Copper or Brass pipe.
CAUTION: Do NOT install a shutoff valve on the steam outlet pipe. Do NOT create traps or valleys in this line which would prevent the flow of steam. The steam outlet pipe should be pitched toward the Steam Generator (preferred), allowing condensation to run back into the Steam Generator or toward the steamhead. If the steam pipe exceeds ten feet, use an appropriate pipe insulation rated for a minimum of 212°F.

Access Requirements

Models: TSG-7 and TSG-10

Select a location for mounting the Steam Generator that is accessible for installation and service. The access requirement indicates the minimum space for convenient access to Steam Generator.

CAUTION: All models must be installed INDOORS, in a DRY, NON-FREEZING location away from flammable materials such as: Gasoline, Paints, Thinners, Etc.

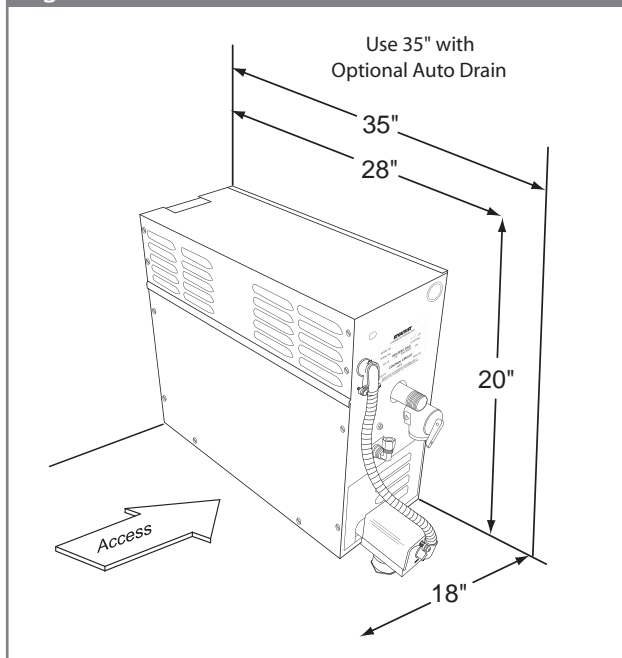
IMPORTANT: Steam Generator must be installed upright and level.

Specification Chart

Model No.	*Max. Cu. Ft. For Area Up To	KW	Volt	Phase	Amps	Wire Size 90°C Copper AWG	Line Fuse
TSG-7	220	7.5	240 208	1 1	31 36	8 8	40 50
TSG-10	375	10	240 208	1 1	42 48	6 6	60 60

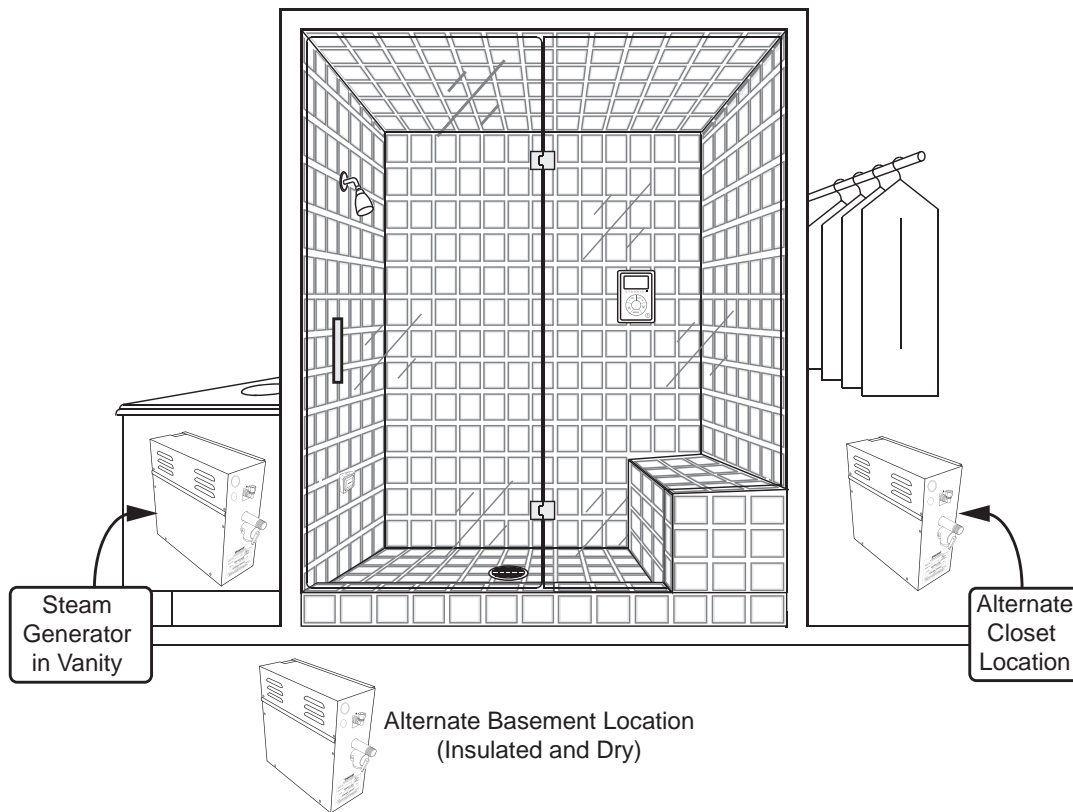
*Refer to the Steamist Sizing Guide for actual Cu. Ft. capacity.

Figure 5



Installation Suggestions

CAUTION: Do NOT install the steam generator in an attic location.



Steambath Generators

Models: TSG-7 and TSG-10

The Steamist "TSG" Generator operates with a TSC control mounted inside and optional TSR remote control located outside the steamroom. It's small enough in size to be tucked away using very little space in a vanity, closet, or basement, but large enough to provide steam for most residential baths.

The Steamist "TSG" Steambath Generator comes factory assembled, carefully wired and tested.

NOTE: The "TSG" Generators are designed only to work with the "TSC" Control.

1. Pre-Installation

- Proper electrical supply (208 or 240 Volt): See rating label on Steam Generator and Chart on page 4. Determine proper size of wire, voltage, amperage, and phase for the Steam Generator. Only UL rated 90°C wire can be used.
- In-line fuse/circuit breaker required: Fuse/circuit breaker to be installed must be sized in accordance with chart on back page. Do NOT install a GFI (Ground Fault Interrupter) to this equipment (per article 210-8 in the National Electric Code).
- Route power supply cable to the location where the Steam Generator will be installed (before walls are closed).

2. Electrical Rough-in

- Route appropriate power cable to the location the Steam Generator will be installed. If receptacle is desired, mount the box for the receptacle near the location of the Steam Generator (see Figure 3).

NOTE: The plug and receptacle require a rating of no less than 250V and proper amperage. Refer to chart on page 4 for amperage rating.

After the walls are complete, the Steam Generator and Control can be wired.

3. Steam Generator Electrical Installation

WARNING: All power to the Steam Generator must be turned off.

- Remove the four screws holding the electrical access cover and remove cover.
- Locate the supply line knockout. Mount proper strain

relief into knockout hole.

- Strip back power cable's outer insulation jacket eight inches and insert into Steam Generator. Strip back insulation ½" from the three (3) incoming wires (two power and one ground).
- Insert ground wire into grounding lug located on the right side of the electrical compartment and secure.

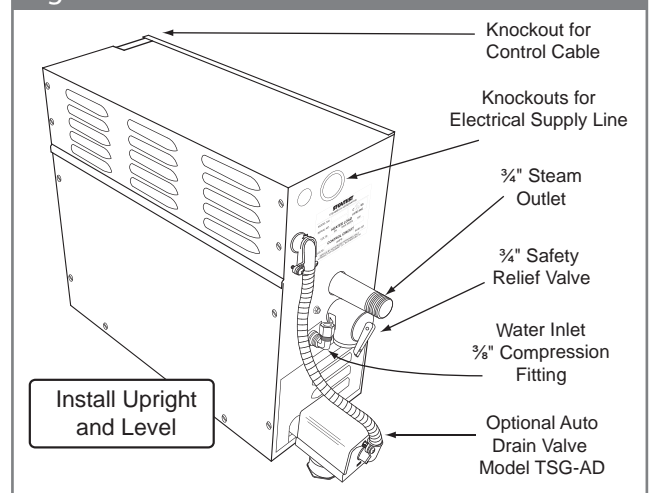
CAUTION: Be sure the ground wire does not come in contact with a live electrical part.

- Locate the terminal block in the upper portion of the electrical box. Insert power wires into the power lugs on the right of the terminal block and secure.

4. Optional Auto Drain Valve Connection

- Open knockout for Auto Drain Valve conduit connection.
- Route flexible conduit from valve to knockout and secure.
- Connect two wires from valve to the two place terminal strip provided (see Figure 2).

Figure 1 - Steam Generator



WARNING: Elderly persons, pregnant women, or those suffering from heart disease, high blood pressure, diabetes, or who are otherwise not in good health, do not use this device unless directed to do so by a physician. Also, do not use steam bath while under the influence of alcohol.

IMPORTANT: The warranty of this product is voided if it is used in a commercial application or for anything other than a residential steam bath installation. All electrical connections must be performed by a licensed electrician in accordance with Local and National Electric Codes.

Checklist

Models: TSG-7 and TSG-10

Before starting, insure that the conditions of the following checklist have been met:

- The proper size Steam Generator has been selected by using the sizing page in the "Full Line Brochure," "Pricing Guide," or "The Generator Sizing Guide" in the Residential Systems/Steambath Product Information section of the Steamist website - www.steamist.com.
- CAUTION:** An improperly sized Steam Generator will NOT produce the amount of steam necessary to reach selected temperature.
- The proper voltage Steam Generator has been selected (i.e., 208V or 240V). A 208V Generator operating on 240V will damage the heating element, and a 240V Generator operating on 208V will result in a 25% loss of power.
- The Steam Generator is installed in an upright position.
- The proper sized 90°C wire and circuit breaker have been used.
- The circuit breaker is NOT a GFI (Ground Fault Interrupter) type.
- The Steam Generator is properly grounded.
- The circuit breaker or disconnect switch is on.
- Water supply is open to the Steam Generator.

Figure 2 - Internal Electrical Connections

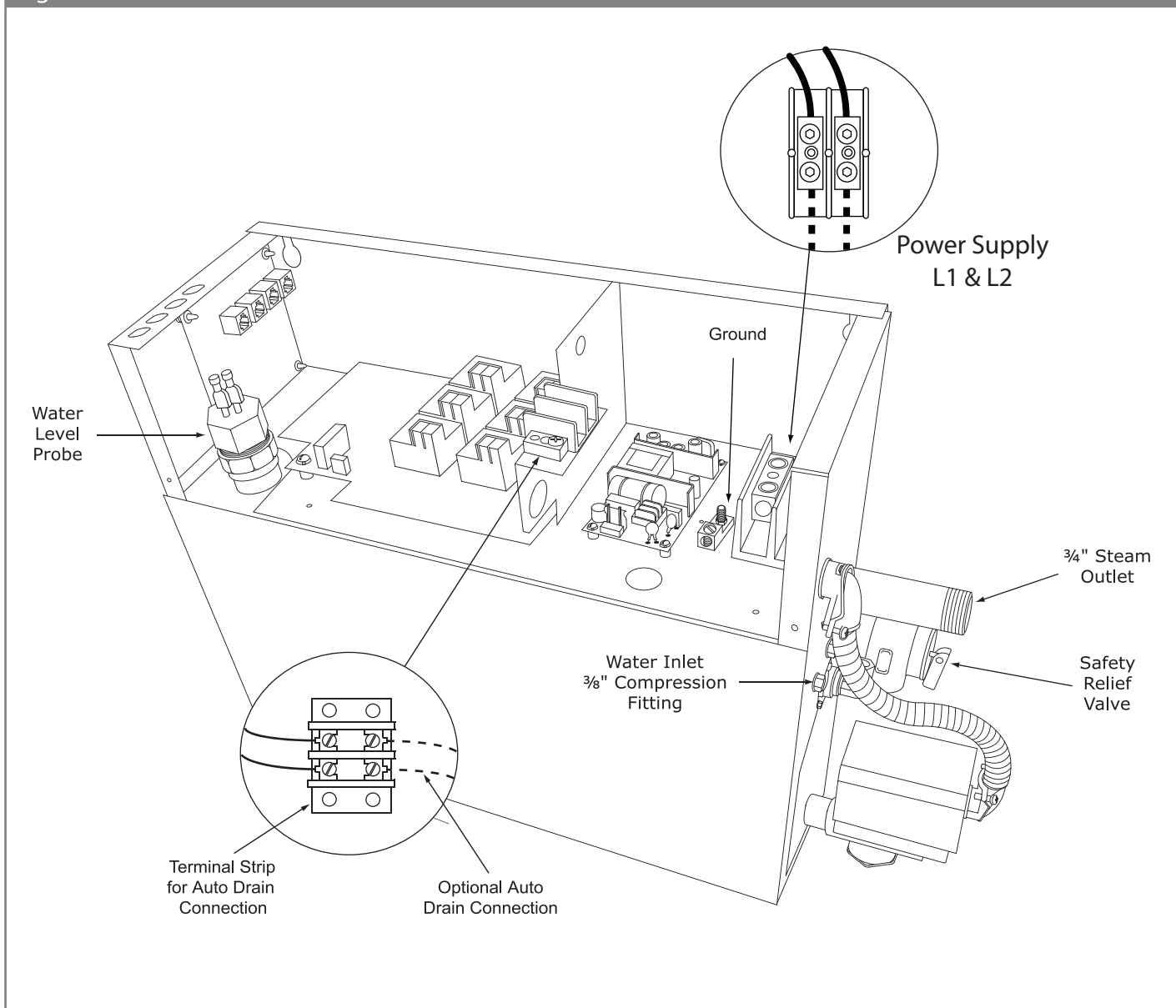
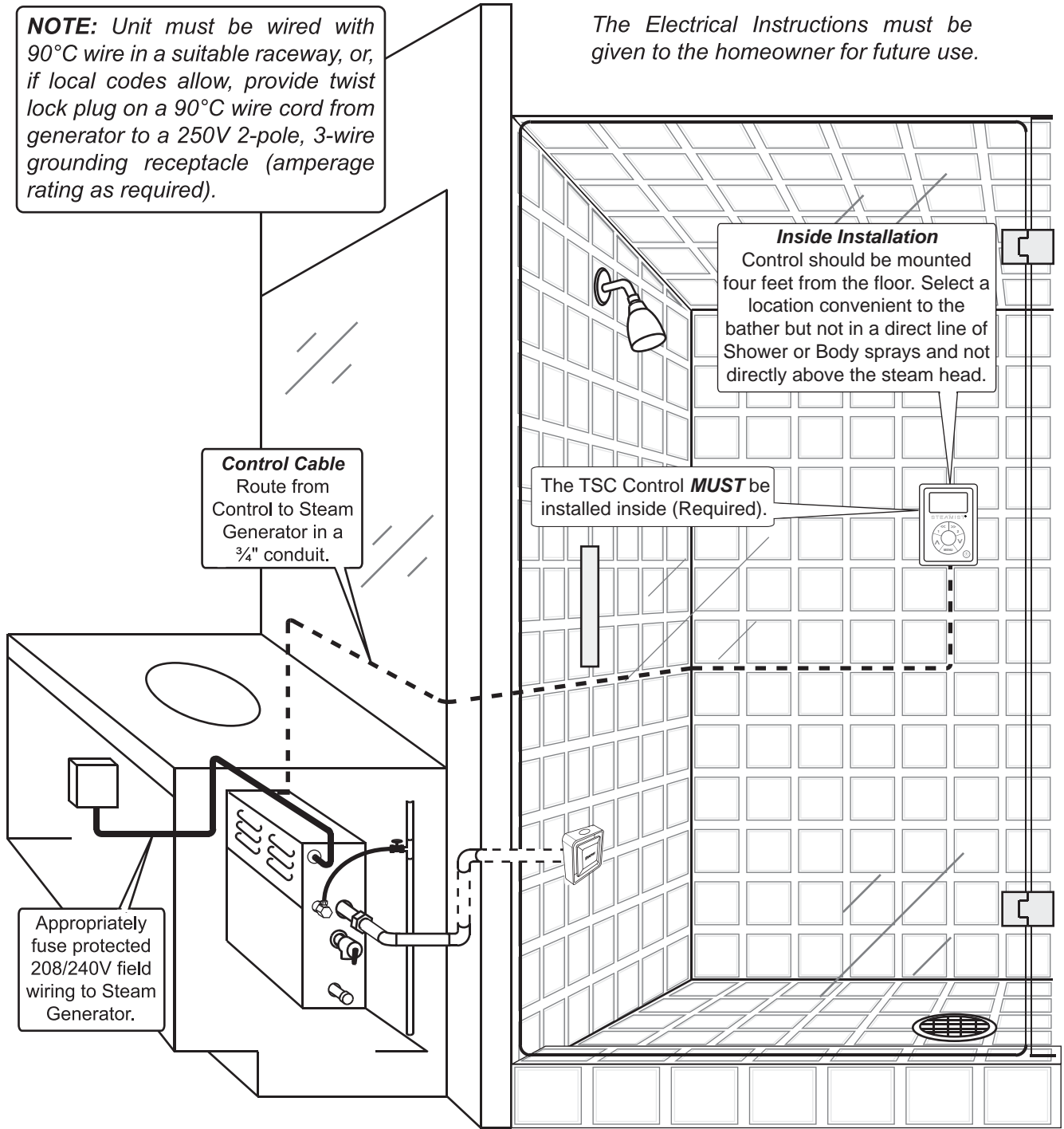


Figure 3 - Typical Installation

Models: TSG-7 and TSG-10

NOTE: Unit must be wired with 90°C wire in a suitable raceway, or, if local codes allow, provide twist lock plug on a 90°C wire cord from generator to a 250V 2-pole, 3-wire grounding receptacle (amperage rating as required).

The Electrical Instructions must be given to the homeowner for future use.



Control Cable
Route from Control to Steam Generator in a 3/4" conduit.

Inside Installation
Control should be mounted four feet from the floor. Select a location convenient to the bather but not in a direct line of Shower or Body sprays and not directly above the steam head.

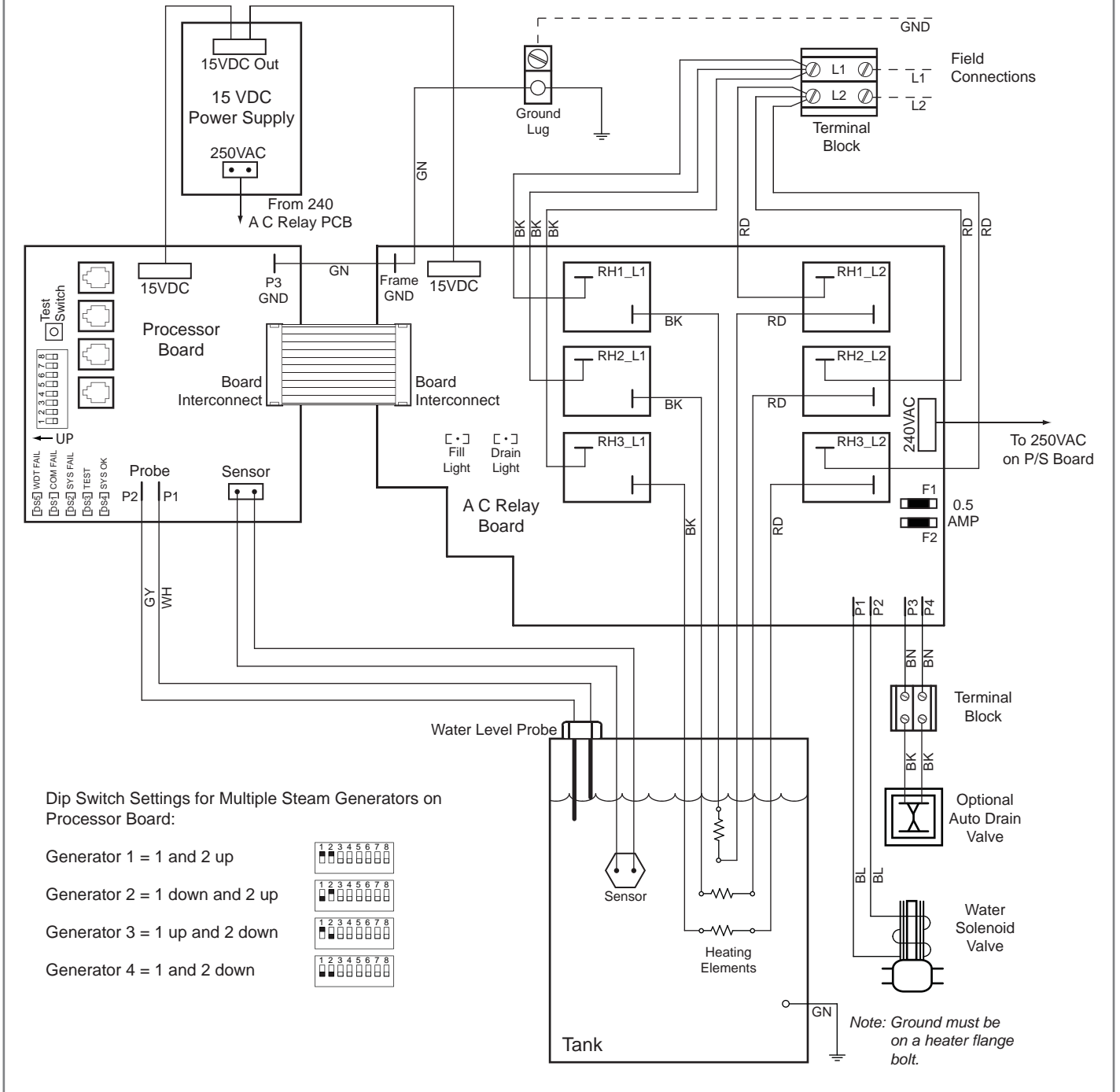
The TSC Control **MUST** be installed inside (Required).

Appropriately fuse protected 208/240V field wiring to Steam Generator.

IMPORTANT: Run the Control Cable through a 3/4" conduit. Remove protective cap when making the final connection to Control.

Wiring Diagram

Models: TSG-7 and TSG-10



Specification Chart							
Model No.	*Max. Cu. Ft. For Area Up To	KW	Volt	Phase	Amps	Wire Size 90°C Copper AWG	Line Fuse
TSG-7	220	7.5	240	1	31	8	40
			208	1	36	8	50
TSG-10	375	10	240	1	42	6	60
			208	1	48	6	60

STEAMIST®

Steam Generator

Model: TSG-7

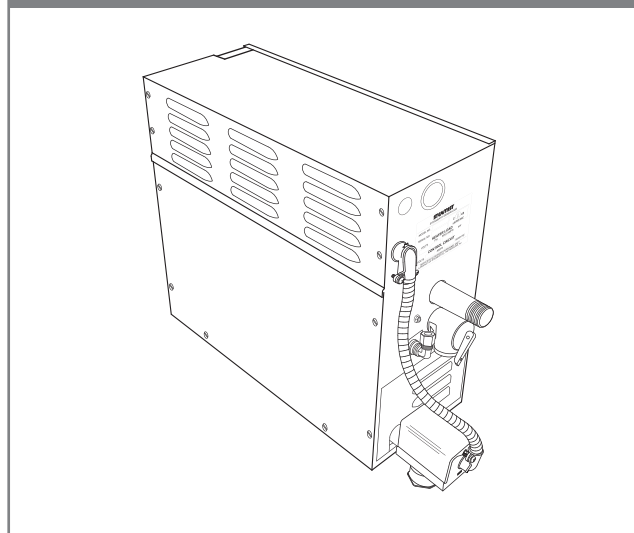
Features

5-year parts warranty - 2-year labor warranty
 Generator typically can be installed up to 25 ft. from the bathing area
 Diagnostic LED Displays
 Stainless Steel Construction
 Solid-State Circuitry

Codes/Standards

UL 499
 UL/CUL Listed

TSG-7



Steam Generator Specification Chart

Model Number	Product Number	KW Rating	Max. Cu. Ft. Range*	Volts/Phase/ Max. Amps	Wire Size 90°C Copper AWG	Line Fuse	Dimensions L x W x H
TSG-7	7520 7521	7.5	220	240/1/31 208/1/36	8 8	40 50	17½" x 6½" x 15½"

*Refer to sizing guidelines to accurately determine the proper size generator for the installation.

Required Equipment

TSC Control

Required Electrical Service

Dedicated circuit required: See Specification Chart for proper electrical requirements

Product Information

Water Supply - ¾" Compression Fitting
 Steam Line - ¼" Brass BPT male thread
 Pressure Relief Valve - ¼" NPT female thread
 Drain Line - Capped ½" Brass NPT male thread

Generator

Weight - 40 lbs.

Installation Notes

Steam Generators can be typically mounted within 25 ft. of the bathing area.

Steam Generators should be accessible for service.

Do not install in attic.

Do not install generators outside, in a moist, humid area or in an area where parts may freeze or corrode.

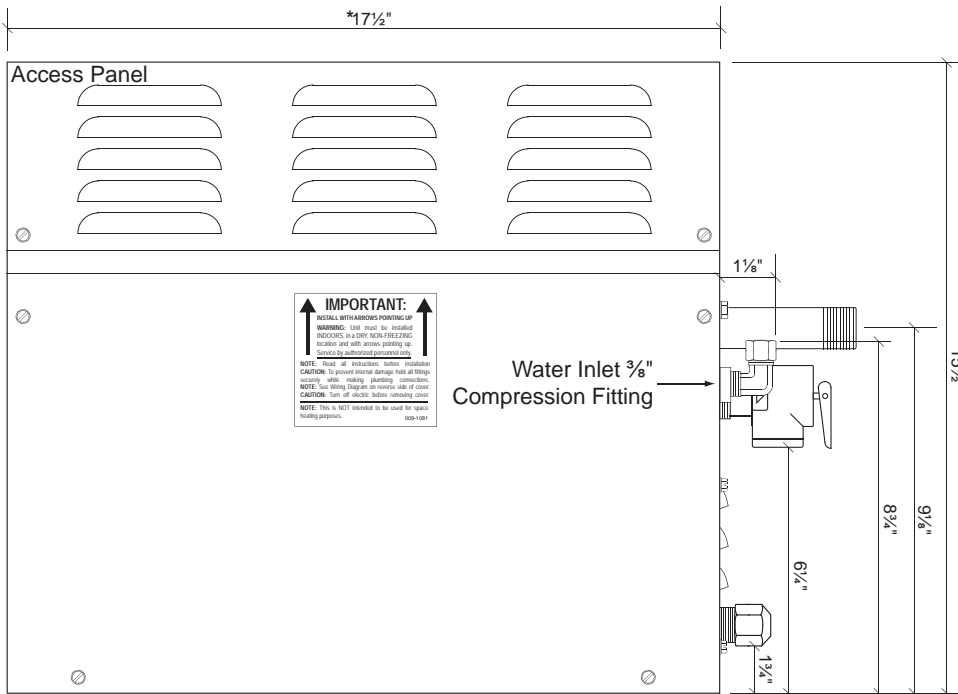
Steamhead to be mounted 18" above floor or 6" above rim of tub and as far from the seating area as possible.

Rough-in Notes

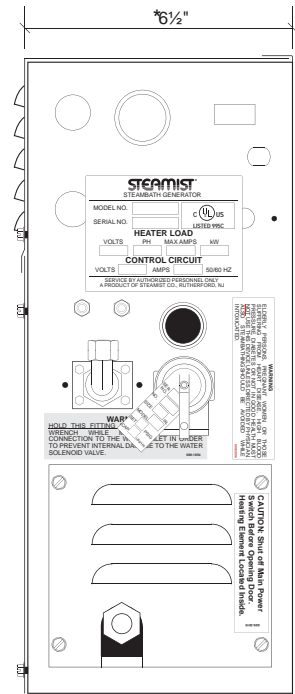
Access: 28" L x 18" W x 20" H (35" L with Auto Drain)

Dimensional Drawing

Model: TSG-7

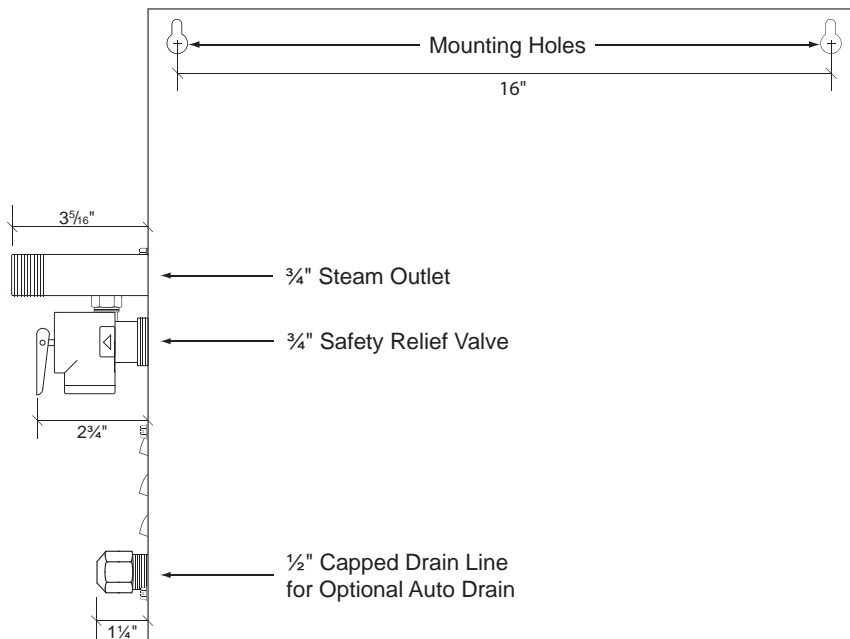


Front Access



Front Side View

*Add ¼" to the dimension for the louvers



Back View

