

STEAMIST®

Total Sense Remote Control Option

Model: TSR

The Total Sense Remote Control is designed to work exclusively with the Steamist Total Sense TSG generators and TSC controls. The control transmitter sends radio frequency signals to the receiver through walls and floors to the receiver. The range of the transmitter by comparison is very similar to a garage door opener. The receiver comes with 25 feet of wire allowing the receiver to be located within the vicinity likely to use the transmitter.

Remote Features and Operation

(See Figure 1)

1. The blue transmit indicator light will illuminate any time a button is transmitting a signal. If this light should stop functioning, replace the batteries.

WARNING: Never press the Start button unless you are certain the steam room door is closed. Continuous operation of the steam bath with the door open can damage the home.

2. The Start 1 & 2 buttons are used to selectively start the preprogrammed user 1 or user 2 settings on the TSC control. Simply press the appropriate button to start the cycle.
3. The Stop button cancels or stops the cycle. Simply press the stop button to cancel the started cycle.
4. The pre-installed batteries should last approximately one year depending on usage. Replace with (2) CR2032 batteries if necessary.

Receiver Features and Operation

(See Figure 2)

1. Red Learn indicator light.
2. Learn button is used to pair additional remote controls. To pair additional controls or to pair the control that came with the receiver, first press the learn button and the learn indicator will light. While the indicator is lit press any button on the remote to complete the pairing process. The learn button will flash and go off indicating a successful pair. After testing the operation press the Stop button and make sure the TSC control has not been unintentionally started.
3. Cable connection jack.
4. Mounting holes

Figure 1: Remote Control

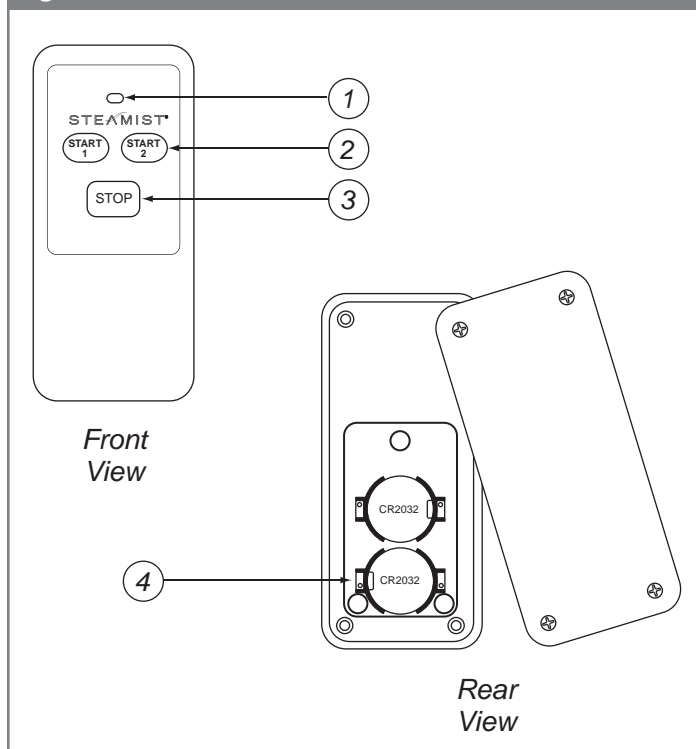
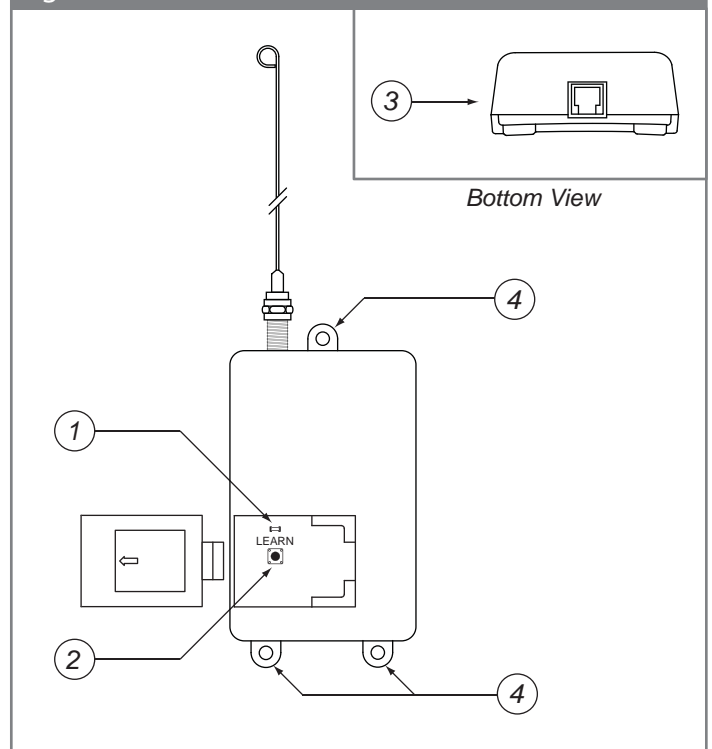


Figure 2: Receiver



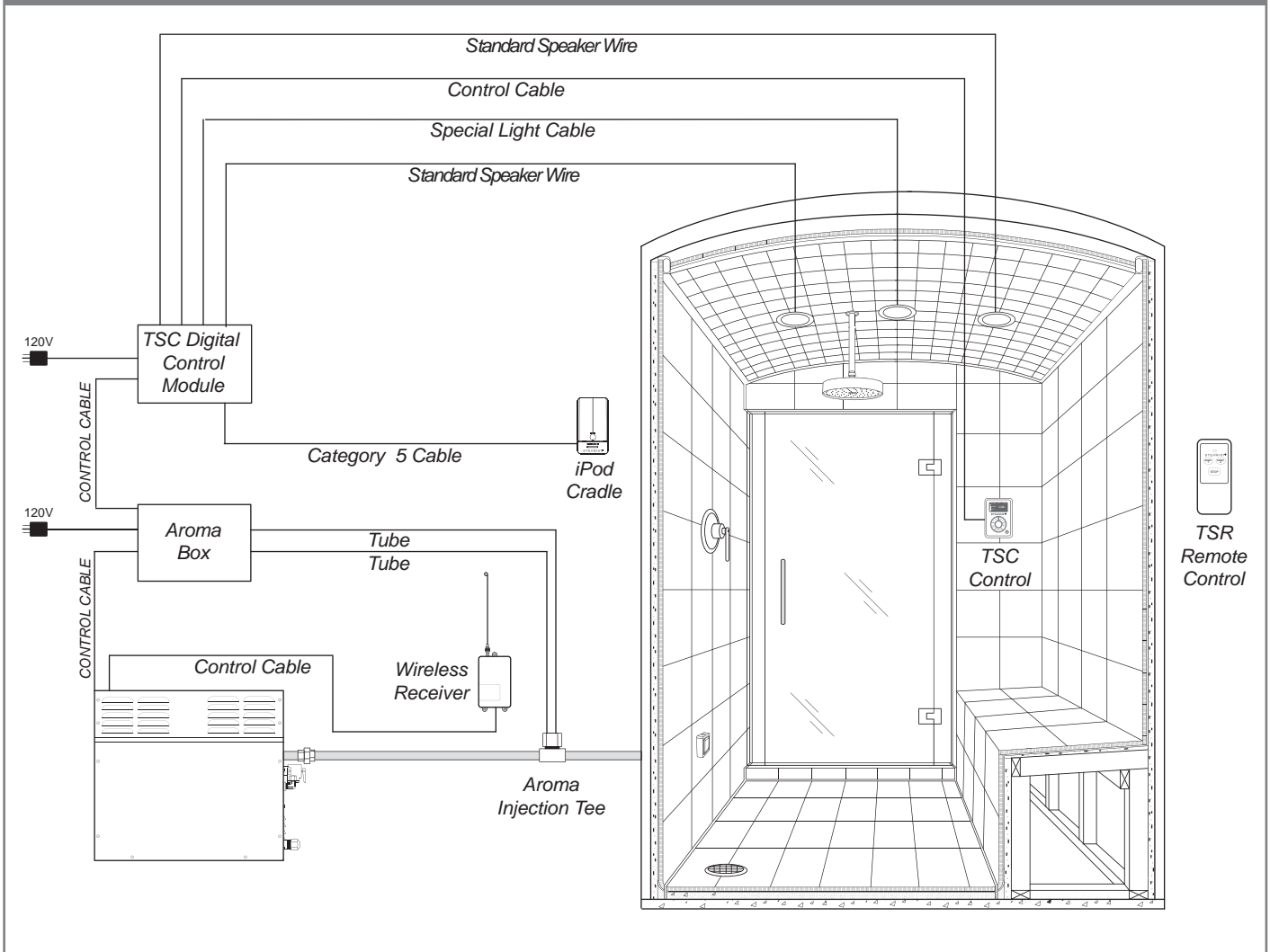
Installation Instructions

1. Select the mounting location for the receiver. The receiver should be centrally located in the area that the transmitter is likely to be used such as near the master bedroom or workout room.
2. Route the control cable to the TSG generator, optional TSA AromaSense Module, or the optional TSC Digital Control Module. The manners in which the cables are routed are dependent on what is best

suited for the installation. There are four connection jacks in TSG generator(s) and two in each of the other optional features allowing for gangable connections in the most convenient arrangement. The manner in which everything is interconnected is not important only that everything is interconnected.

3. Mount the receiver securely on a wall with the antenna in a vertical position for the best reception.

Figure 3: System Wiring Diagram



This device complies with Part 15 of the FCC Rules. This device not been approved for use in Canada. Operation is subject to the following two conditions: (1) This device may not cause harmful interference, and (2) This device must accept any interference received, including interference that may cause undesired operation.

WARNING: Changes or modifications not expressly approved by the party responsible for compliance could void the user's authority to operate the equipment.

STEAMIST®

Total Sense Remote Control Option

Model: TSR

Product Information – TSR

5-year parts warranty

Frequency 372.0 MHz

This device complies with Part 15 of the FCC Rules.

This device has not been approved for use in Canada.

Package Includes:

- (1) TSR Remote Control
- (1) TSR Receiver
- (1) 25' Control Cable
- (2) CR2032 Batteries

Required Equipment:

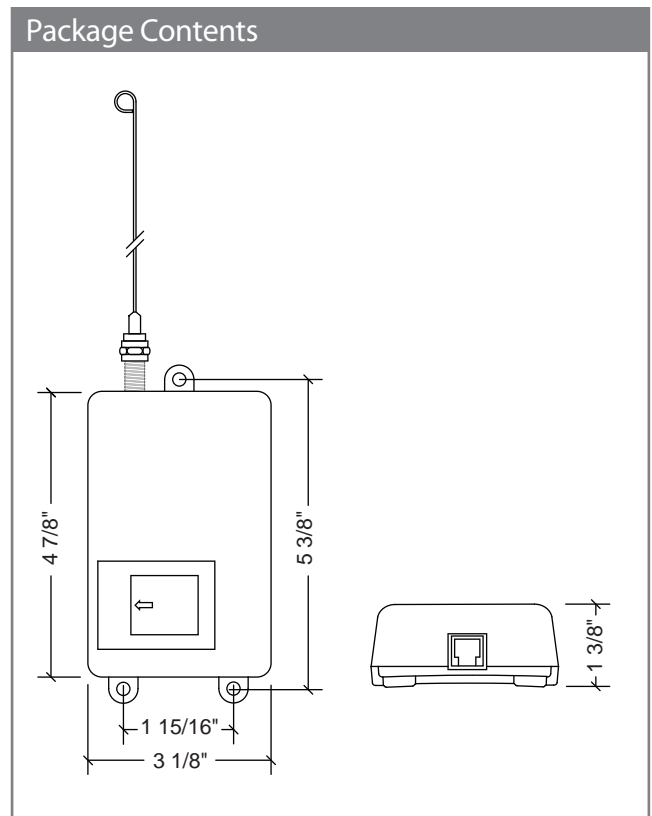
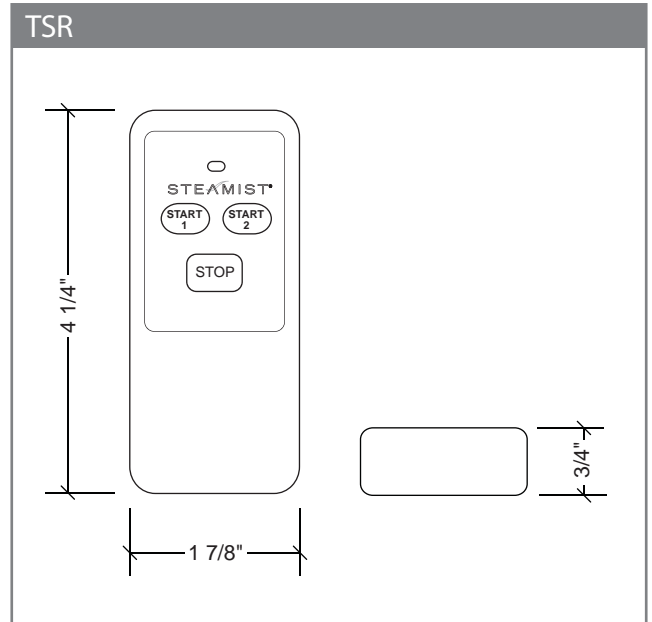
TSG generator, TSC Control

Installation Notes

Centrally locate receiver where transmitter is likely to be used.

Route cable to the TSG generator, TSA AromaSense Module, or TSC Digital Control Module.

Mount receiver securely on the wall.



Wiring Layout

