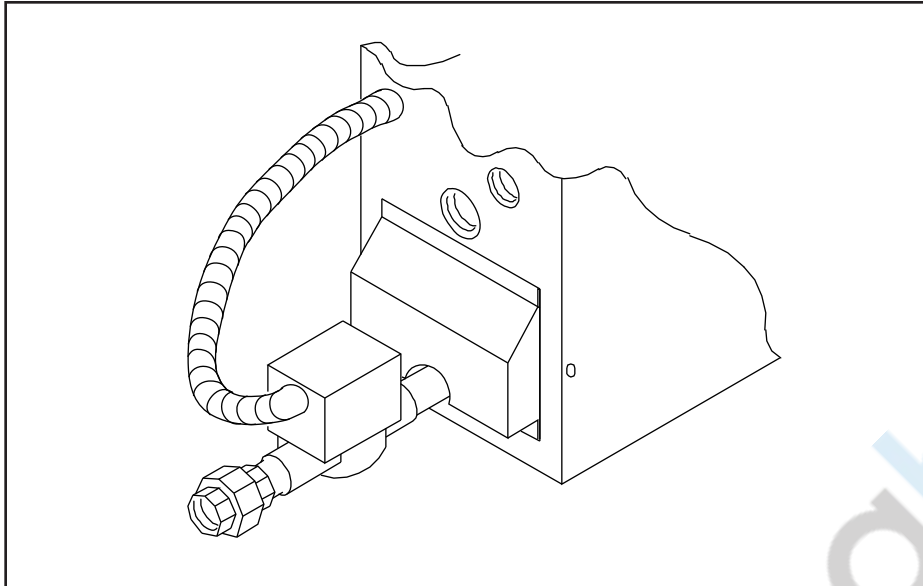


# amerec ADT Installation and Service Instructions



## AUTOMATIC DRAIN KIT

## MODEL ADT

### SAVE THESE INSTRUCTIONS

### READ ALL INSTRUCTIONS CAREFULLY BEFORE INSTALLATION.

#### SECTION 1: GENERAL INFORMATION

The Steam Generator is listed by ETL. The ETL listing will remain valid so long as the ADT kit is installed per these instructions.

This ADT Kit upgrades a Generator to automatically flush and drain up to sixty (60) minutes after the last use. It will leave the tank empty after the flush and drain cycle. A second ADT kit is used for ganged generators.

#### SECTION 2: INSPECT EXISTING LOCATION

1. Count the total number of Generators at this site.
2. If there are two (2) or three (3) Generators this kit must be installed on all Generators.
3. If there is only one Generator proceed to Section 3A. If there are two (2) or three (3) Generators skip ahead to Section 3B.

#### WARNING

*Electrical grounding is required on all Steambath Generators.*

*Do not remove or change the Generator's grounding unless specifically directed to do so by these instructions.*

*All electrical supplies to the Generator should be disconnected before and during the installation of this kit.*

*All wiring must be installed by a licensed electrical contractor in accordance with local and national codes.*

*All plumbing must be installed by a licensed plumber in accordance with local and national codes. (an air gap or check valve may be required)*



DIAGRAM 1

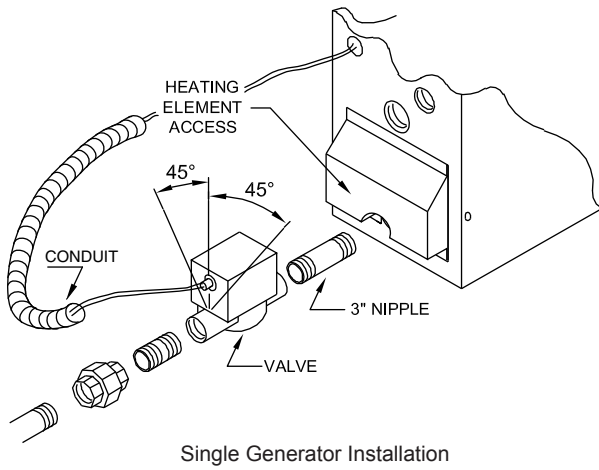


DIAGRAM 2

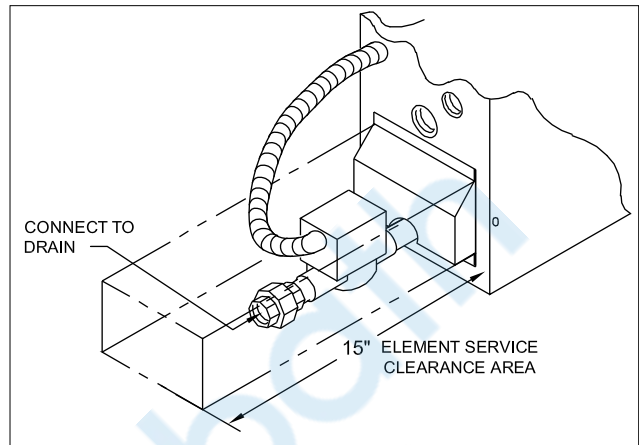


DIAGRAM 3

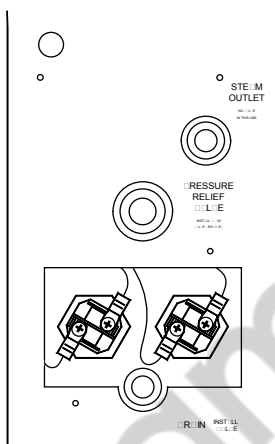


DIAGRAM 4

SHELF, BENCH OR FLOOR MOUNT

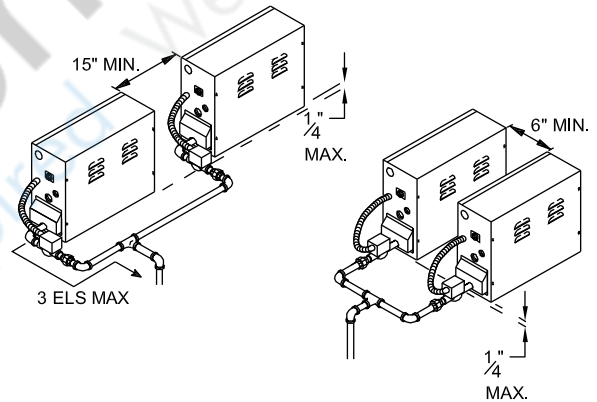


DIAGRAM 5

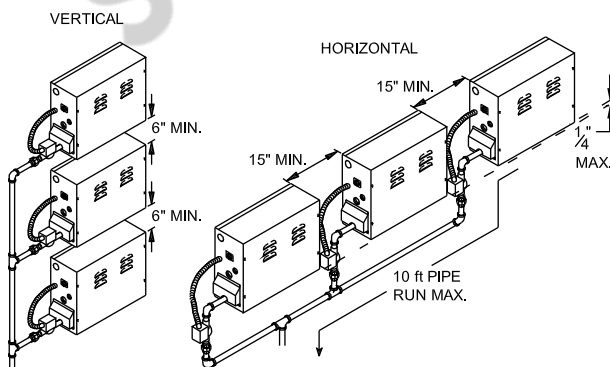
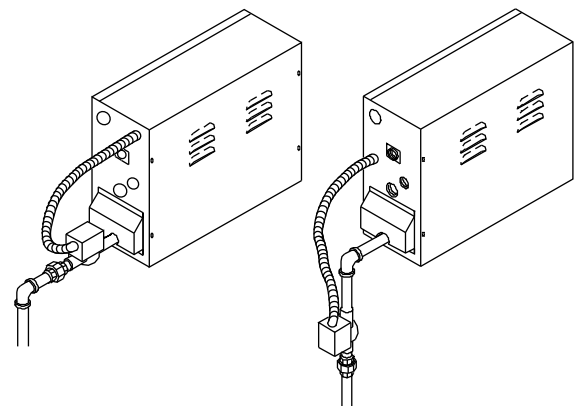


DIAGRAM 6



**SECTION 3A: PLUMBING A SINGLE GENERATOR**

All plumbing shall be installed by a licensed plumbing contractor and conform to local and national codes. (an air gap or check valve may be required)

MATERIAL (Locally available)

- 1/2 inch copper pipe for the tank drain
- Fittings for drain as required
- Pipe thread compound or teflon tape

1. If the kit is being installed on an existing Generator, it will be necessary to remove enough drain plumbing to install the motorized drain valve. See Diagrams 1, 2 & 3.

**IMPORTANT**

All Generator plumbing must be installed so that the valve motor may be removed to clear the element service clearance area shown in Diagram 2.

2. Install the 3" nipple to the tank. Attach the motorized drain valve to the nipple. The drain valve should be upright and level.

**IMPORTANT**

The ball valve does not have directional flow. Do not tilt over 45 degrees. See Diagram 1.

3. Run a 1/2" copper drain line from the motorized drain valve outlet to a gravity flow drain. Do not run the drain uphill. The drain must be connected in accordance with local and national codes.

**SECTION 3B: PLUMBING MULTIPLE GENERATORS**

All plumbing shall be installed by a licensed plumbing contractor and conform to local and national codes. (an air gap or check valve may be required)

MATERIAL (Locally available)

- 1/2 inch copper pipe for the tank drain
- Fittings for drain as required
- Pipe thread compound or teflon tape

**IMPORTANT**

Detailed drain connection information is in the Installation Instructions packed with the Steam Generators. The instructions must be used to assure proper drain operation.

1. If this is an old installation being upgraded, it can require up to three (3) automatic drain valves, one per generator.

**IMPORTANT**

If additional drain valves or automatic drain valve kits are required, call the Technical Support Department at 1-800-363-0251.

2. Install all automatic drain valves. All valves should be installed as shown in Diagrams 1 thru 6.

**IMPORTANT**

All motorized drain valve outlets must be within six (6) feet and one (1) 90° bend of the site gravity drain. Use pipe thread compound or teflon tape on all threaded fittings.

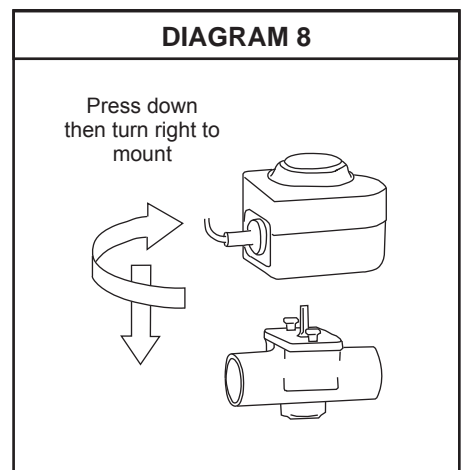
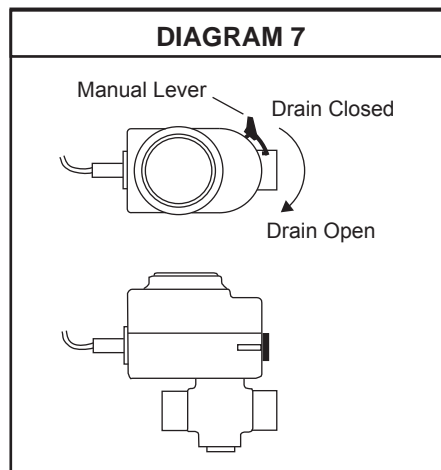
**SECTION 4: MOUNTING THE DRAIN VALVE'S MOTOR**

The drain valve is designed so its motor may be easily removed to facilitate installation and service. Before removing or installing the motor, make sure the lever (used to manually open the valve for service) is not latched open. (See Diagram 7)

To remove the motor, turn it carefully to the left until it stops then lift straight up to remove.

To reinstall the motor, carefully set the motor onto the valve's shaft, set the motor down onto its mounting posts, then turn the motor to the right until it locks. (See Diagram 8)

*If the motor is not properly secured in place, the valve may leak or fail to open.*



**WARNING**

*All plumbing must be installed by a licensed plumber in accordance with local and national codes. (an air gap or check valve may be required by local codes)*

**Do Not drain the tank into the steam room!**

*Boiling water may be discharged from the drain. Draining the tank into the Steam Room may present a scald hazard and/or damage materials used to construct the Steam Room.*

**SECTION 5: WIRING**

1. The safety of this equipment requires that power and control wiring be segregated into the areas shown in Diagram 9.
2. Route the drain valve wires through the conduit to a knock out near the steam outlet. See Diagrams 10 & 11.
3. Route the wires into the TB2 drain terminal block on the PCA. See Diagram 11.
4. For multiple Generator installations check for other motorized drain valves in the system. All drain valves connect to TB2 terminal block on the PCA's.

**WARNING**

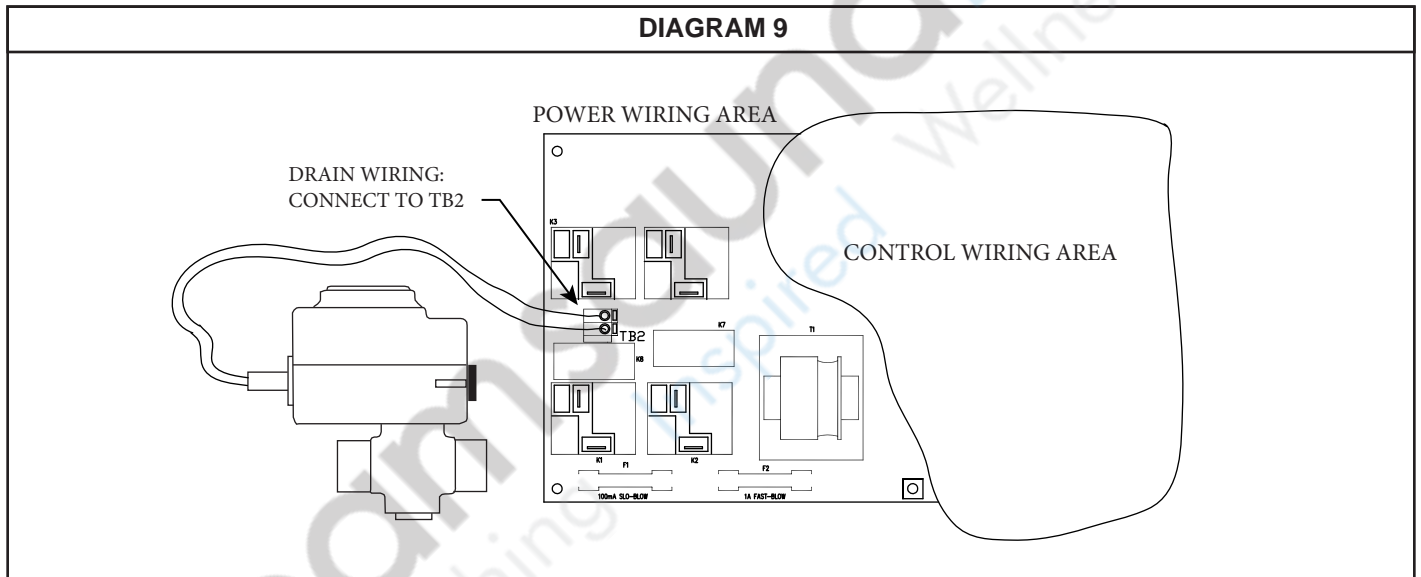
*All electrical supplies to the Generator should be disconnected before and during installation of this kit.*

*User Shock Hazard! 208-240V wires attached to this Option must be routed per these instructions.*

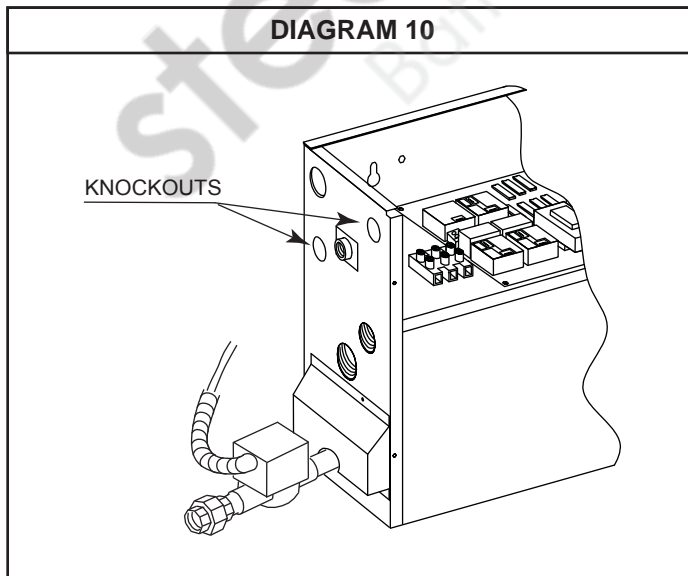
*User Shock Hazard! If existing wiring is disturbed assure that the final installation conforms with generator wiring diagram.*

*Conduit must be used when installing drain valve to connect the valve to ground.*

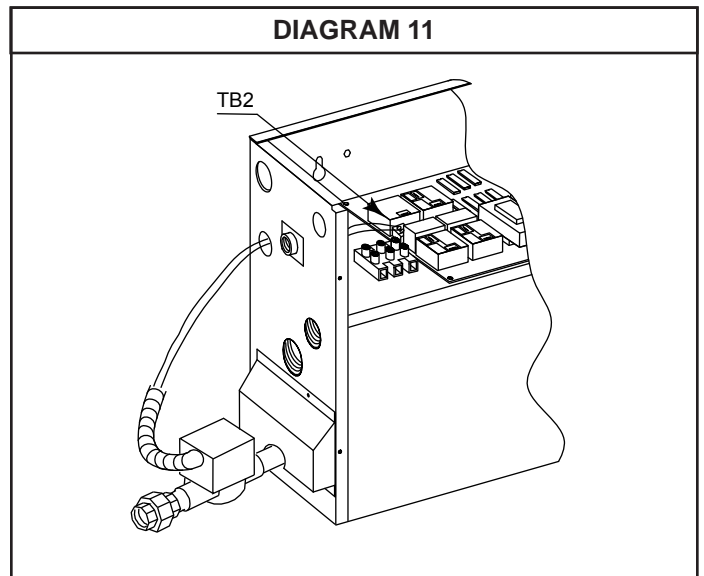
**DIAGRAM 9**



**DIAGRAM 10**



**DIAGRAM 11**



**SECTION 6: OPERATIONAL TEST**

1. Assure power and water are on.
2. Turn on the Generator(s) using the owner's control. Allow the tank(s) to fill completely. Adjust the bath temperature to a point at least 10°F (6C) above the current steam room temperature to ensure the steamer begins heating the water.
3. Turn off the Generator(s) using the owner's control.
4. Sixty minutes (60) after the Generator is turned off, the drain will open and close a few times and water will be added to the generator as needed to cool the water and drain the tank; this could take up to 15 minutes. Once the drain cycle is complete, the tank will remain empty until the next bath. No water should come out the steam head.

The unit is now ready for operation.

**SECTION 7: TROUBLESHOOTING GUIDE**

There are no user serviceable parts in the Generator. All repair should be performed by a qualified service person. For additional assistance or the factory authorized service person nearest you call Technical Support at 1-800-363-0251. The Troubleshooting Guide below is meant as a general aid only. Follow ACTION TO BE TAKEN in order until the problem is resolved.

NOTE: *The ADT Drain Valves are normally closed. They open only when energized by the steam generator. These valves are ball valves and are not directional.*

<b>SYMPTOMS</b>	<b>PROBABLE CAUSES</b>	<b>ACTION TO BE TAKEN</b>
Drain Valve leaks	Motor not secured to the valve or Valve part way open  or Debris in valve or Faulty PCA (Circuit Board)	Remount motor per Section 4  Make sure the motor's manual lever is not latched open or sticking against an obstruction.  Clean valve  Remove wires from PCA. If leak stops the PCA may be faulty. If leak continues, check steps above.
Water does not run out of the drain.	Manual drain valve closed or Valve or drain piping plugged or Faulty Drain Valve  or Faulty PCA (Circuit Board)	Make sure any manual valves in the drain piping are open  Clean valve and piping  Make sure the motor's manual lever can move freely and is moving when the valve should be opening. If it does not move, check wiring. Call technical support at 1-800-363-0251.  If steamer is not operating, check the 1A fuse on the PCA. Otherwise, contact Technical Support at 1-800-363-0251.
Water runs out steam outlet during drain cycle.	Faulty PCA	PCA or steamer faulty; Contact Support at 1-800-363-0251

**amerec**

PO Box 2258  
Woodinville, WA 98062

Phone: 1-800-363-0251  
FAX: 425-951-1130  
support@amerec.com