

**GENERAL SPECIFICATIONS:**

**Tub Size** 65.625" x 37.875" x 21.5"  
**Bathing Well** length: 59.5" top / 40.5" bottom  
 width: 29.75" top / 22.5" bottom  
 depth at overflow: 15"  
**Soaker Weight** 380 lbs / 172 kg  
**Maximum Fill** TBD  
**Undermountable** No

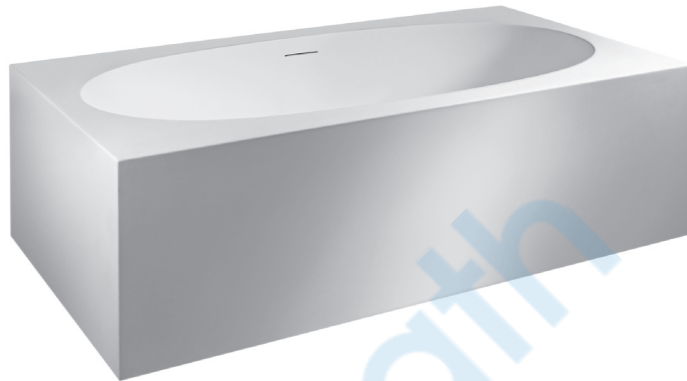
**ELECTRICAL SPECIFICATIONS:**

**Required Electrical Service** 110 Volt  
**Air Bath** 1-15 amp GFCI

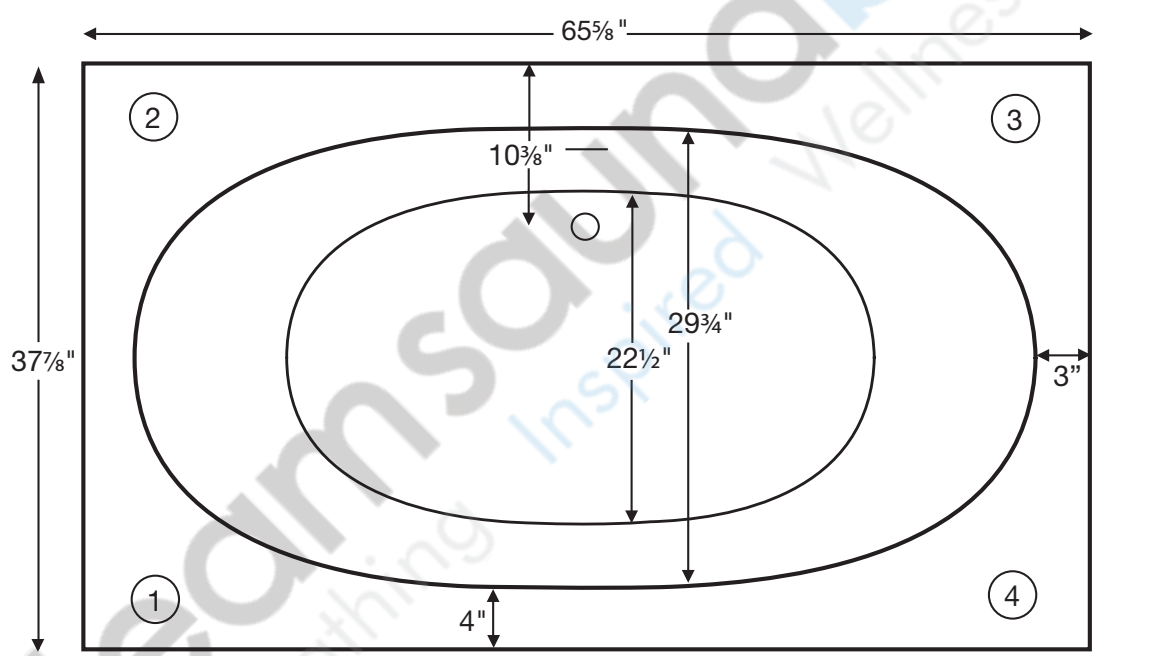
CSA Certified C/US; NAHB Certified; ANSI Z124.1.  
 NOTE: Filling this tub to the maximum may require an above average size or dedicated water heater.  
 NOTE: Not recommended as a tub / shower combination.

**Akana MTCT-131**

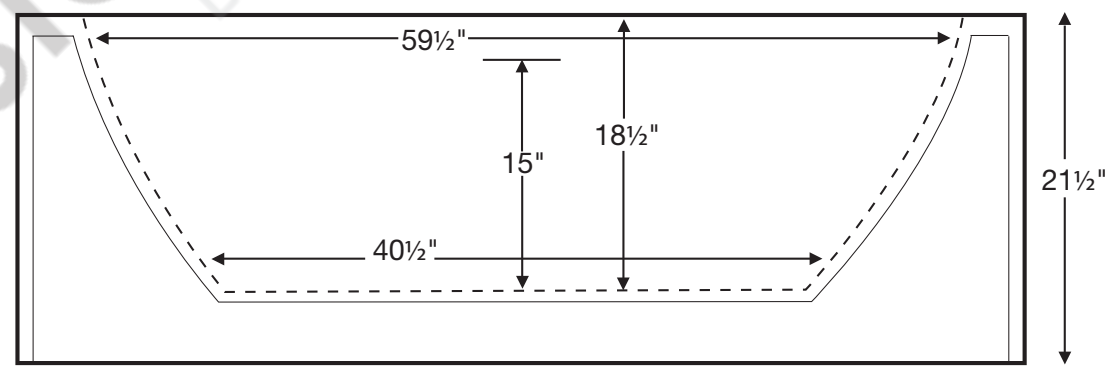
**65.625" x 37.875" x 21.5"**



Freestanding Tub



Numbered locations on tub deck are possible locations to mount faucetry.



Measurements are ± 1/2" and are subject to change without notice.  
 Data herein supersedes all previous prior to publication date shown below.

