

GENERAL SPECIFICATIONS:

Tub Size	61.375" x 32" x 18"
Bathing Well	length: 59" top / 40.625" bottom width: 30" top / 23.125" bottom depth at overflow: 15"
Soaker Weight	175 lbs / 79 kg
Maximum Fill	74 gal to overflow
Undermountable	No

CSA Certified C/US; NAHB Certified; ANSI Z124.1.

NOTE: Filling this tub to the maximum may require an above average size or dedicated water heater.

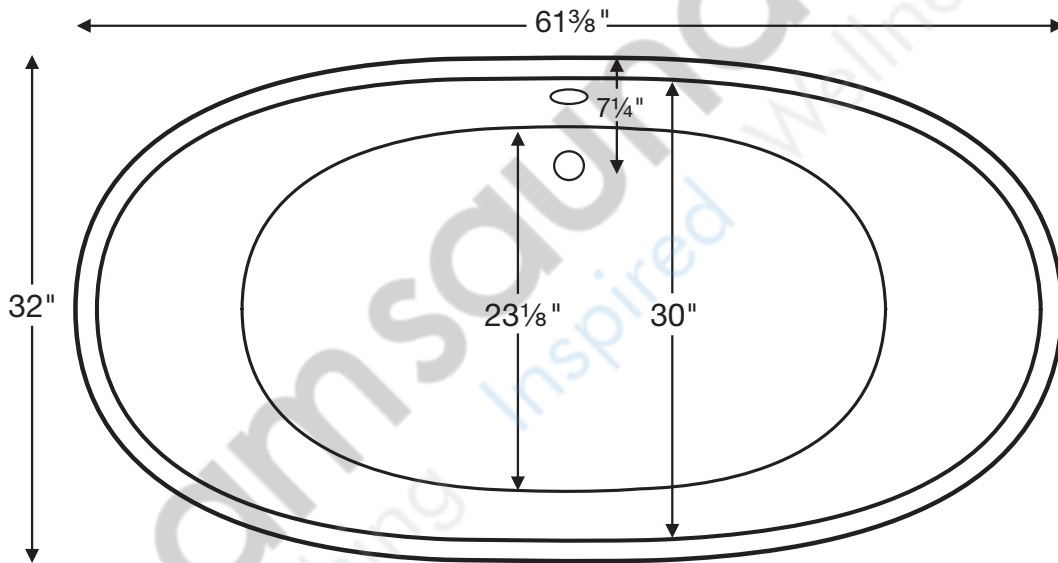
NOTE: Not recommended as a tub / shower combination.

Alissa 2 MTCT-126

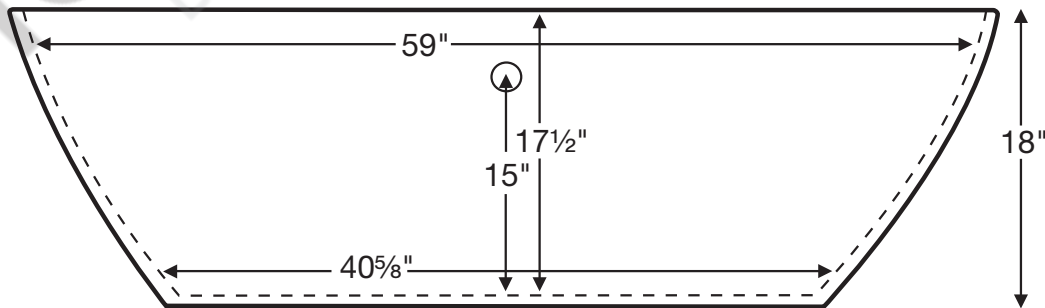
61.375" x 32" x 18"



Freestanding Tub



All MTI freestanding tubs use wall-mounted or freestanding faucets.



Measurements are $\pm 1/2"$ and are subject to change without notice.
Data herein supersedes all previous prior to publication date shown below.

