

Andrea® 10 MTDS-100

71.625" x 36" x 21.25"

GENERAL SPECIFICATIONS:

Tub Size	71.625" x 36" x 21.25"
Bathing Well	length: 60" top / 50.5" bottom width: 26.25" top / 24" bottom depth at overflow: 15.5"
Soaker Weight	140 lbs / 63.50 kg
Maximum Fill	78 gal to overflow
Undermountable	No

NOTE: Filling this tub to the maximum may require an above average size or dedicated water heater.

NOTE: Not recommended as a tub / shower combination.

ELECTRICAL SPECIFICATIONS:

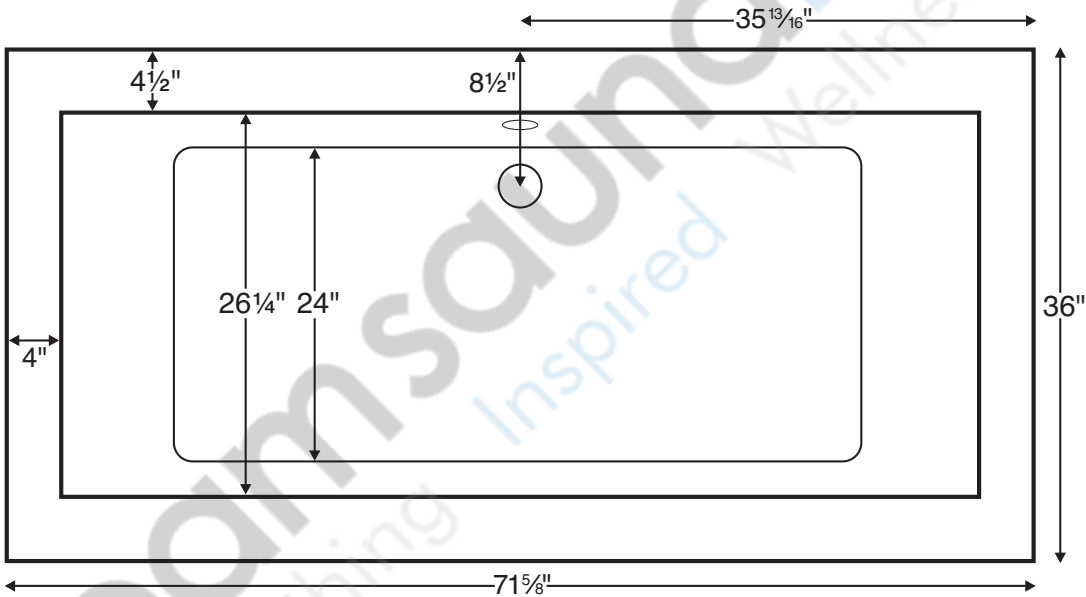
Required Electrical Service	110 Volt
Air Bath	1-15 amp GFCI

CSA Certified C/US; NAHB Certified; ANSI Z124.1 for plastic tubs and ANSI 112.19.7 for whirlpool components.

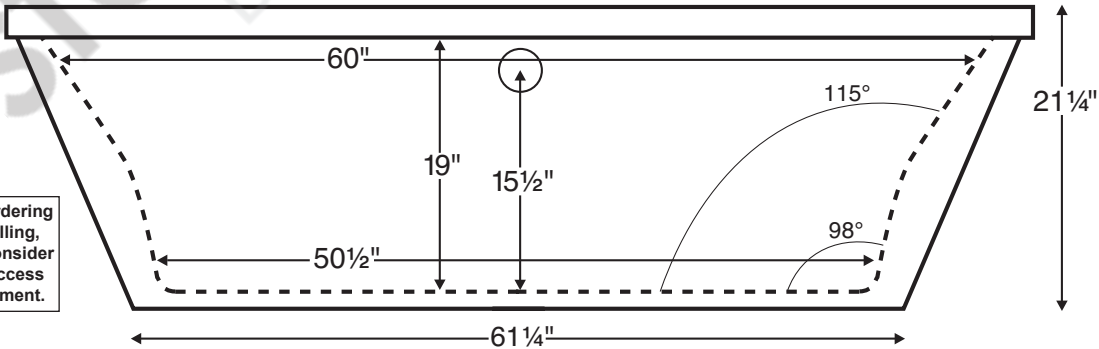
NOTE: See electrical specifications page for electrical requirements of options.



Freestanding Tub



All MTI freestanding tubs use wall-mounted or freestanding faucets. The waste and overflow assembly is concealed between the walls of the tub, eliminating the need for a decorative exposed drain kit.



Before ordering or installing, please consider future access to equipment.

IMPORTANT: If you are planning to use a glass enclosure, MTI must be advised when ordering for possible relocation of controls.

Measurements are ± 1/2" and are subject to change without notice. Data herein supersedes all previous prior to publication date shown below.

