

Andrea® 17 MTDS-107

54" x 30" x 17.75"

GENERAL SPECIFICATIONS:

Tub Size	54" x 30" x 17.75"
Bathing Well	length: 45" top / 39.375" bottom width: 22.75" top / 19.5" bottom depth at overflow: 15.5"
Plumbed Weight	105 lbs / 47.63 kg
Soaker Weight	80 lbs / 36.29 kg
Average Fill	30 gal to above jet level
Maximum Fill	51 gal to overflow
Undermountable	Yes (with no Aromatherapy)

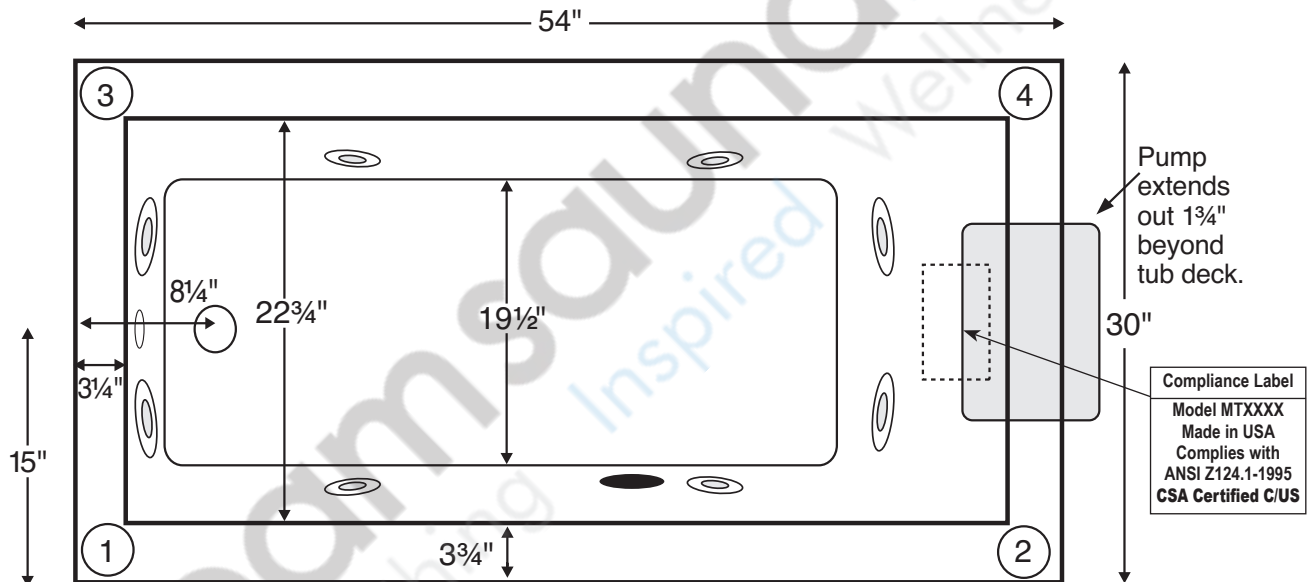
NOTE: Filling this tub to the maximum may require an above average size or dedicated water heater.

ELECTRICAL SPECIFICATIONS:

Required Electrical Service	110 Volt
Air Bath or Standard Whirlpool	1-15 amp GFCI
Standard Whirlpool w/Air	2-15 amp GFCI
Ultra-Therapy	2-15 amp GFCI
Ultra-Therapy w/Air	2-20 amp GFCI

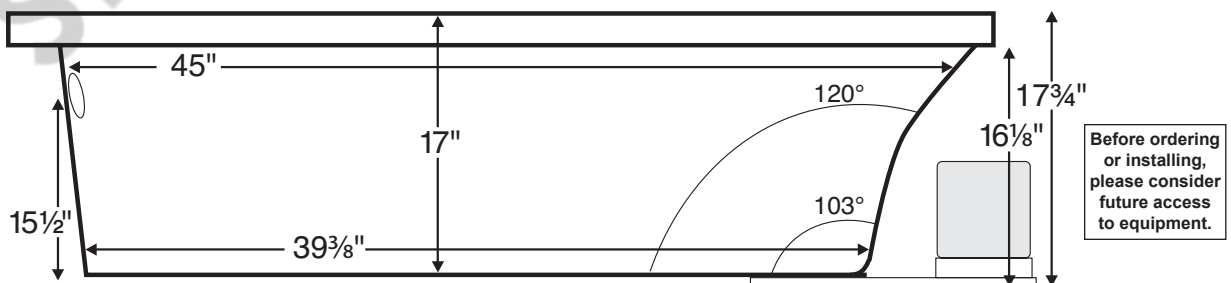
CSA Certified C/US; NAHB Certified; ANSI Z124.1 for plastic tubs and ANSI 112.19.7 for whirlpool components.

NOTE: See electrical specifications page for electrical requirements of options.



Numbered locations on tub deck are possible Fill-Flush, Hand-Held Shower or Breda locations. Pump extends out approximately 1 3/4" beyond tub deck.

Shown with Ultra-Therapy Package.



IMPORTANT: If you are planning to use a glass enclosure, MTI must be advised when ordering for possible relocation of controls.

INSTALLATION: Add bedding compound to fully level and support bottom of tub. Skirting and/or pre-leveled frame will increase standard tub height up to 3". All tubs with pre-leveled foam base are designed to rest on the floor without additional bedding compound and will add approximately 2-3" to standard tub height. Please measure tub on-site before building tub decking. Measurements are ± 1/2" and are subject to change without notice. Measurements herein supersede all others published prior to publication date shown below. Suction and control locations may vary. Specifications and configurations are subject to change without notice.

