

# Antigua MTDS-75

59.5" x 35.25" x 21.75"

## GENERAL SPECIFICATIONS:

<b>Tub Size</b>	59.5" x 35.25" x 21.75"
<b>Bathing Well</b>	length: 51.5" top / 40" bottom width: 27" top / 25" bottom depth at overflow: 15.5"
<b>Soaker Weight</b>	135 lbs / 61.235 kg
<b>Maximum Fill</b>	71 gal to overflow
<b>Undermountable</b>	No

NOTE: Filling this tub to the maximum may require an above average size or dedicated water heater.

NOTE: Not recommended as a tub / shower combination.

## ELECTRICAL SPECIFICATIONS:

<b>Required Electrical Service</b>	110 Volt
<b>Air Bath</b>	1-15 amp GFCI

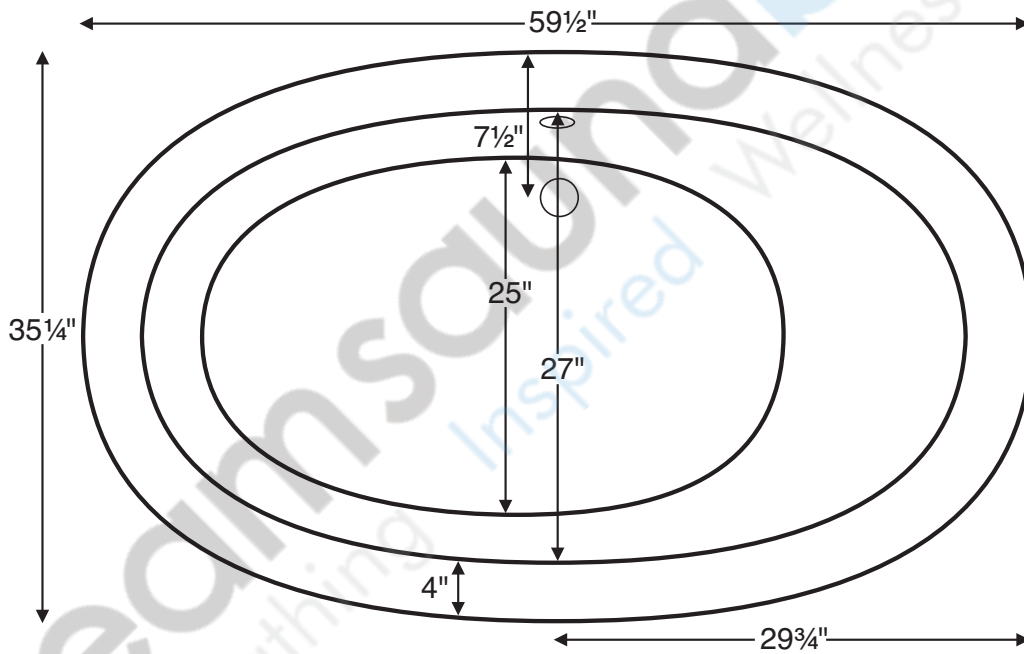
CSA Certified C/US; NAHB Certified; ANSI Z124.1 for plastic tubs and ANSI 112.19.7 for whirlpool components.

NOTE: See electrical specifications page for electrical requirements of options.

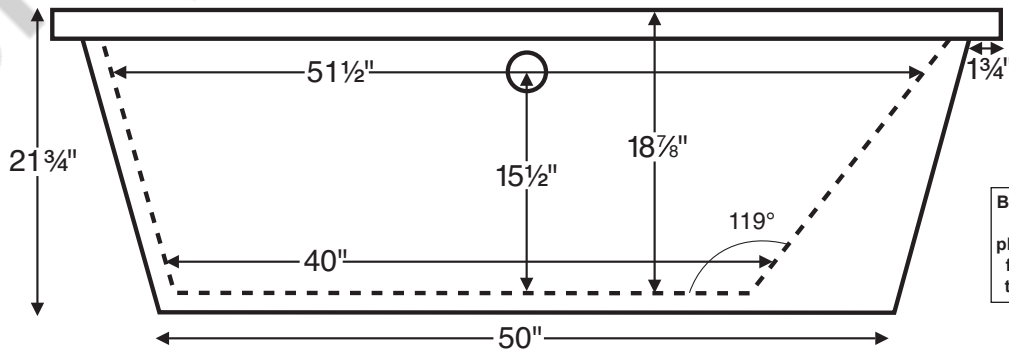


Freestanding Tub

Shown above is the standard configuration. Alternate configuration for opposite seating position is shown on reverse side.



All MTI freestanding tubs use wall-mounted or freestanding faucets. The waste and overflow assembly is concealed between the walls of the tub, eliminating the need for a decorative exposed drain kit.



Before ordering or installing, please consider future access to equipment.

Measurements are  $\pm 1/2$ " and are subject to change without notice. Data herein supersedes all previous prior to publication date shown below.

