

Baldwin MTDS-139

66" x 34.5" x 22"

GENERAL SPECIFICATIONS:

Tub Size	66" x 34.5" x 22"
Bathing Well	length: 61.25" top / 46.5" bottom width: 29.5" top / 26" bottom
Soaker Weight	100 lbs / 45.36 kg
Average Fill	60 gal to above jet level
Maximum Fill	120 gal to overflow
Undermountable	Yes (no aromatherapy)

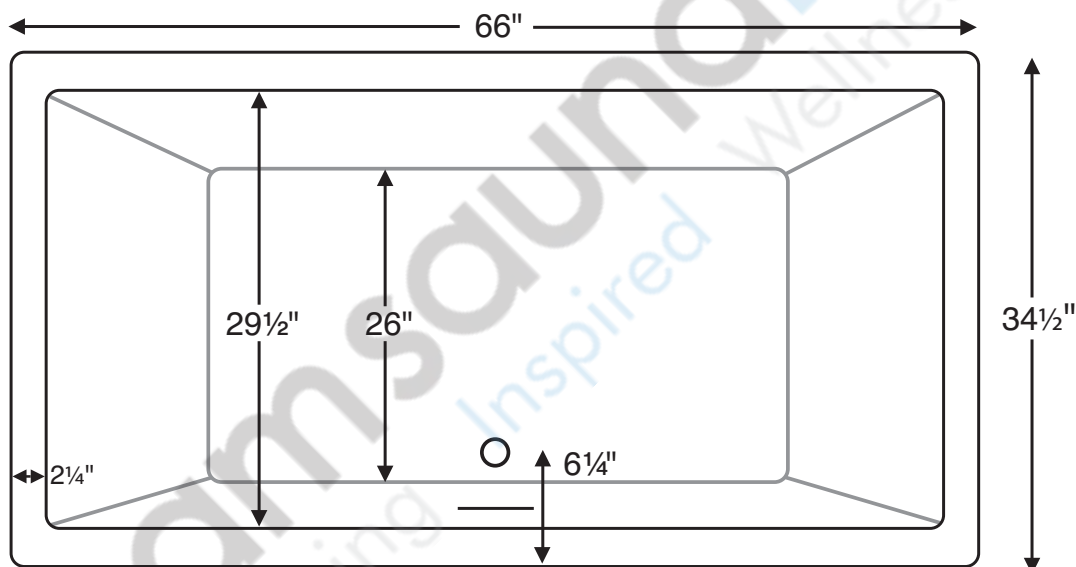
NOTE: Filling this tub to the maximum may require an above average size or dedicated water heater.

ELECTRICAL SPECIFICATIONS:

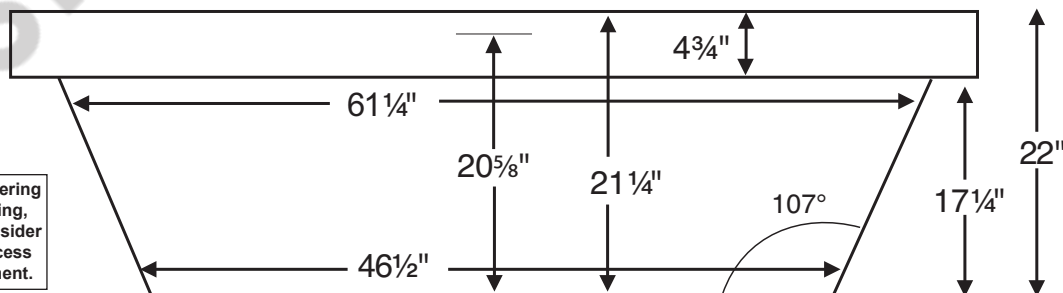
Required Electrical Service	110 Volt
Air Bath or Aria Elite Bath	1-15 amp GFCI

CSA Certified C/US; NAHB Certified; ANSI Z124.1 for plastic tubs and ANSI 112.19.7 for whirlpool components.

NOTE: See electrical specifications page for electrical requirements of options.



Wall mounted fixtures may be necessary due to the narrow flange.



Before ordering or installing, please consider future access to equipment.

IMPORTANT: If you are planning to use a glass enclosure, MTI must be advised when ordering for possible relocation of controls.

INSTALLATION: Add bedding compound to fully level and support bottom of tub. All tubs with pre-leveled foam base are designed to rest on the floor without additional bedding compound and will add approximately 2-3" to standard tub height. Please measure tub on-site before building tub decking. Measurements are $\pm 1/2"$ and are subject to change without notice. Measurements herein supersede all others published prior to publication date shown below. Control locations may vary. Specifications and configurations are subject to change without notice.

