

# Elan Vital MTDS-45S

71.25" x 35.75" x 23.75"

## GENERAL SPECIFICATIONS:

<b>Tub Size</b>	71.25" x 35.75" x 23.75"
<b>Bathing Well</b>	length: 60" top / 44" bottom width: 26" top / 21" bottom depth at overflow: 19.5"
<b>Soaker Weight</b>	100 lbs / 45.40 kg
<b>Maximum Fill</b>	80 gal to overflow
<b>Undermountable</b>	No

NOTE: Filling this tub to the maximum may require an above average size or dedicated water heater.

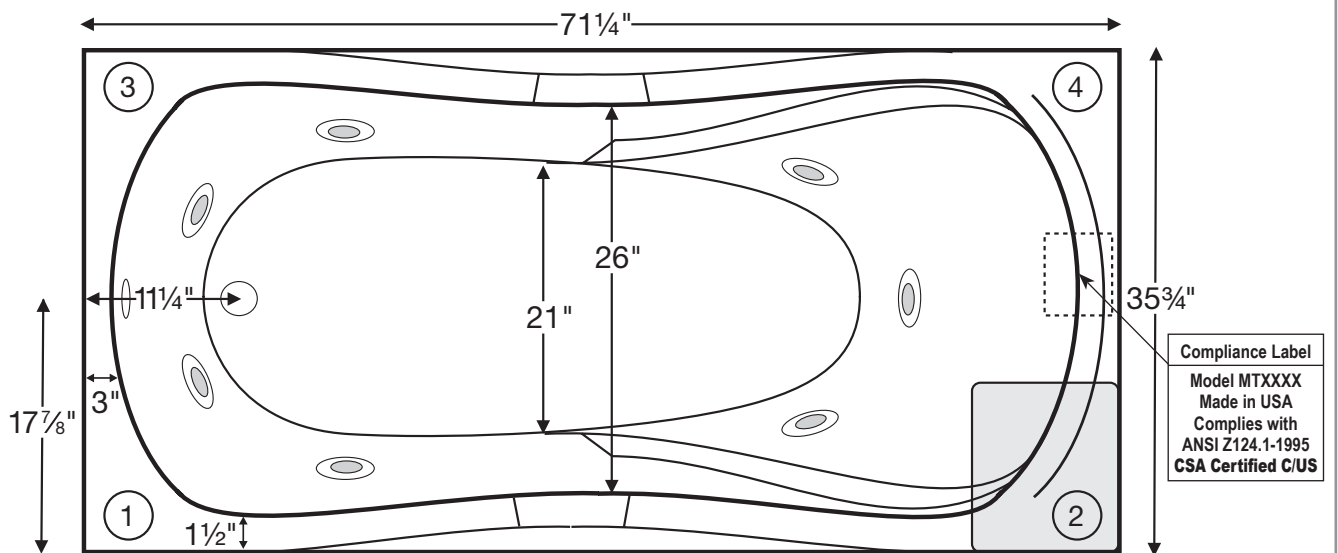
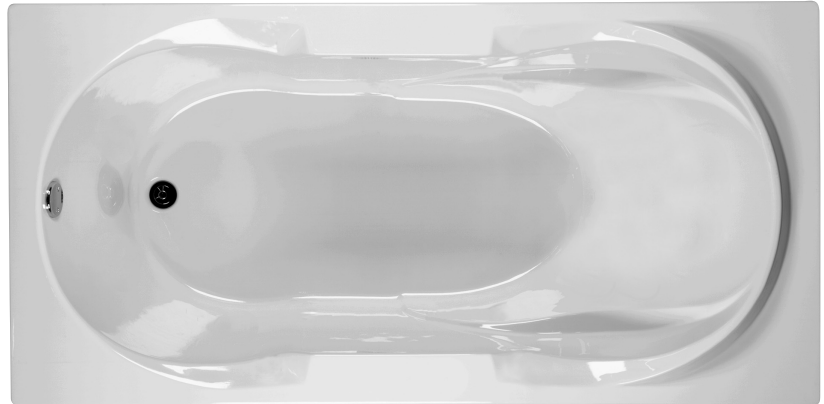
NOTE: Not recommended as a tub / shower combination.

## ELECTRICAL SPECIFICATIONS:

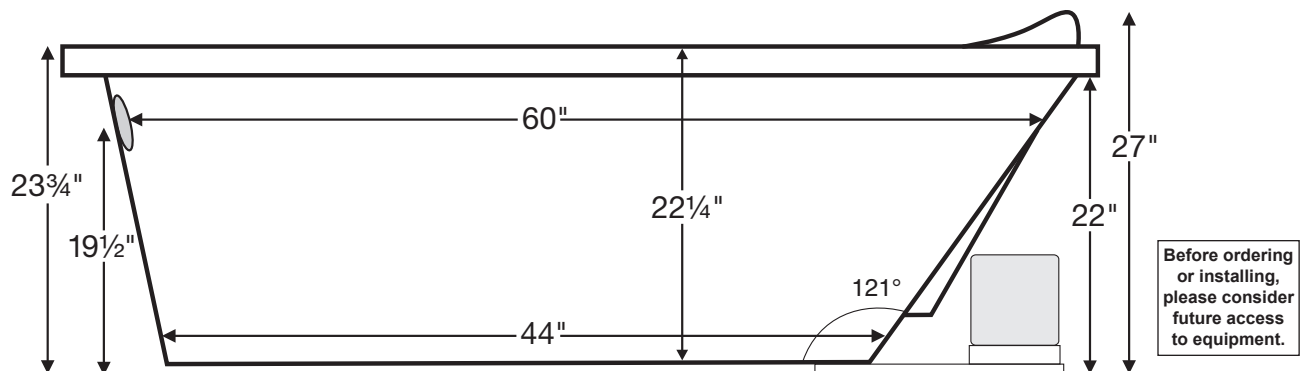
<b>Required Electrical Service</b>	110 Volt
<b>Standard Whirlpool</b>	1-15amp GFCI
<b>Air Bath</b>	1-15 amp GFCI
<b>Air Whirlpool</b>	2-15amp GFCI

CSA Certified C/US; NAHB Certified; ANSI Z124.1 for plastic tubs and ANSI 112.19.7 for whirlpool components.

NOTE: See electrical specifications page for electrical requirements of options.



Numbered location on tub deck are possible Fill-Flush, Hand-Held Shower or Breda locations.  
Shown with Standard Therapy Package.



**IMPORTANT: If you are planning to use a glass enclosure, MTI must be advised when ordering for possible relocation of controls.**

**INSTALLATION:** Add 1"-3" to height of tub for bedding compound. MTI recommends Quickrete Sand Mix. **Air Baths add approximately 2"-3" to height of tub.** Please measure tub before building tub decking. Suction and control locations may vary. Drawing shows best pump location. Alternate locations available—call MTI for details. Measurements are  $\pm 1/2"$  and are subject to change without notice. Data herein supersedes all previous prior to publication date shown below. Tubs with more than one pump or blower will require additional service access.

