

# Eryx Freestanding MTCT-138A 73.125" x 34" x 22.5"

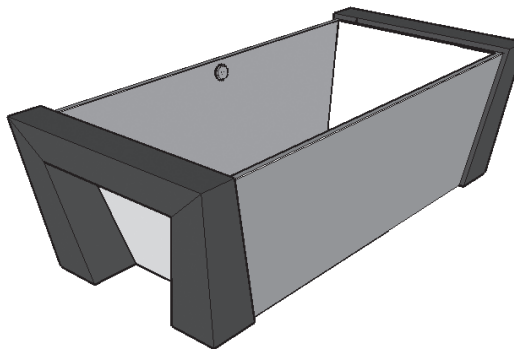
## GENERAL SPECIFICATIONS:

<b>Tub Size</b>	73.125" x 34" x 22.5"
<b>Bathing Well</b>	length: 60.5" top / 49" bottom width: 29.625" top / 25.25" bottom depth at overflow: 17.5"
<b>Soaker Weight</b>	335 lbs / 152 kg
<b>Maximum Fill</b>	95 gal to overflow
<b>Undermountable</b>	No

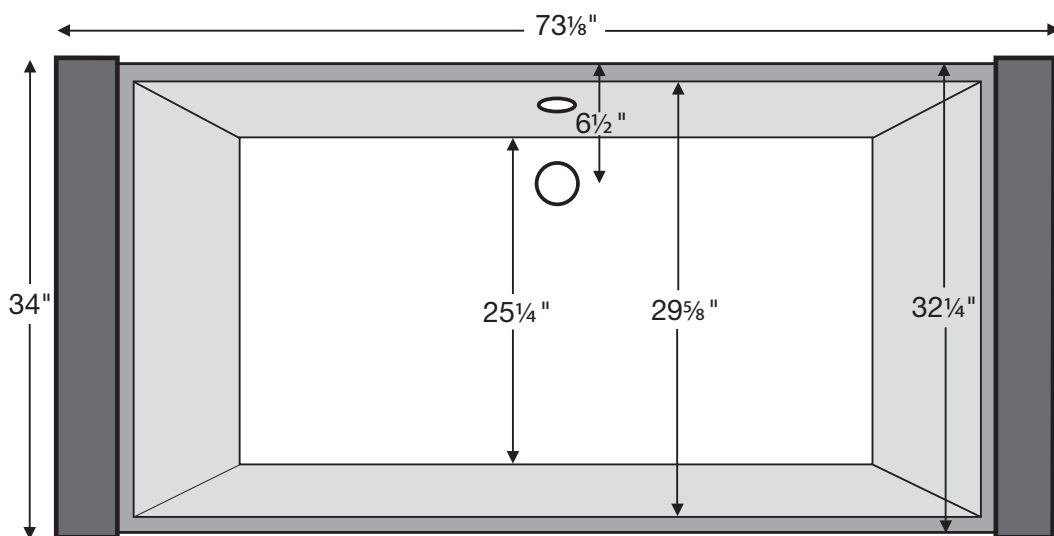
CSA Certified C/US; NAHB Certified; ANSI Z124.1.

NOTE: Filling this tub to the maximum may require an above average size or dedicated water heater.

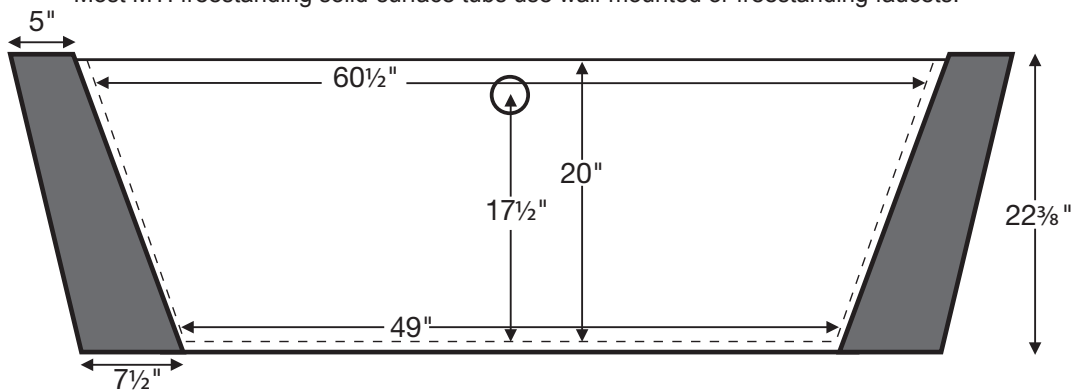
NOTE: Not recommended as a tub / shower combination.



Freestanding Tub



Most MTI freestanding solid-surface tubs use wall-mounted or freestanding faucets.



Measurements are  $\pm 1/2$ " and are subject to change without notice.  
Data herein supersedes all previous prior to publication date shown below.

