

Freida MTI-80

59.75" x 32" x 23"

GENERAL SPECIFICATIONS:

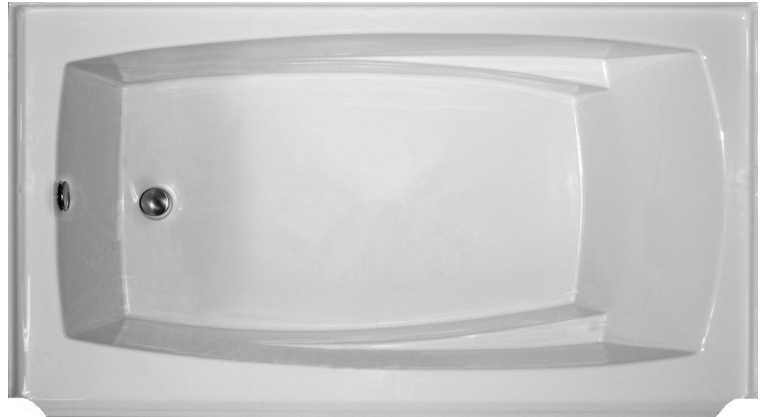
Tub Size	59.75" x 32" x 23"
Bathing Well	length: 51" top / 44" bottom width: 26.75" top / 24" bottom depth at overflow: 16.5"
Plumbed Weight	129 lbs / 58.51 kg
Soaker Weight	105 lbs / 47.63 kg
Average Fill	34 gal to above jet level
Maximum Fill	51 gal to overflow
Undermountable	No

ELECTRICAL SPECIFICATIONS:

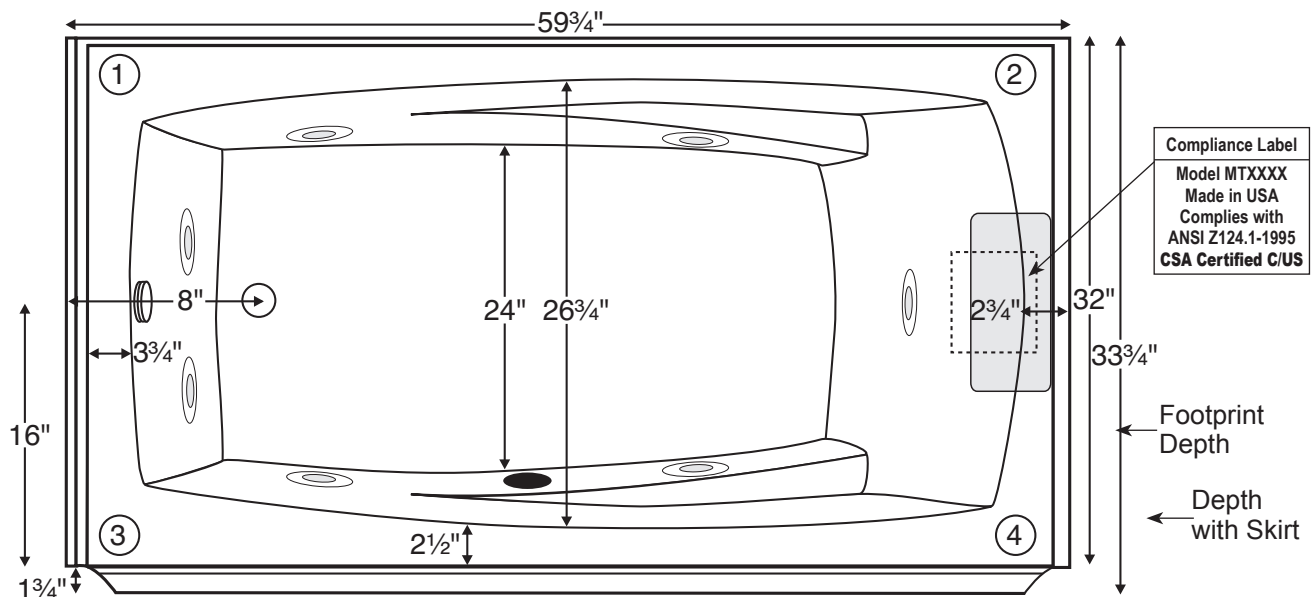
Required Electrical Service	110 Volt
Air Bath or Standard Whirlpool	1-15 amp GFCI
Enhanced Whirlpool	1-20 amp GFCI
Standard Whirlpool w/Air	2-15 amp GFCI
Enhanced Whirlpool w/Air	2-20 amp GFCI

CSA Certified C/US; NAHB Certified; ANSI Z124.1 for plastic tubs and ANSI 112.19.7 for whirlpool components.

NOTE: See electrical specifications page for electrical requirements of options.

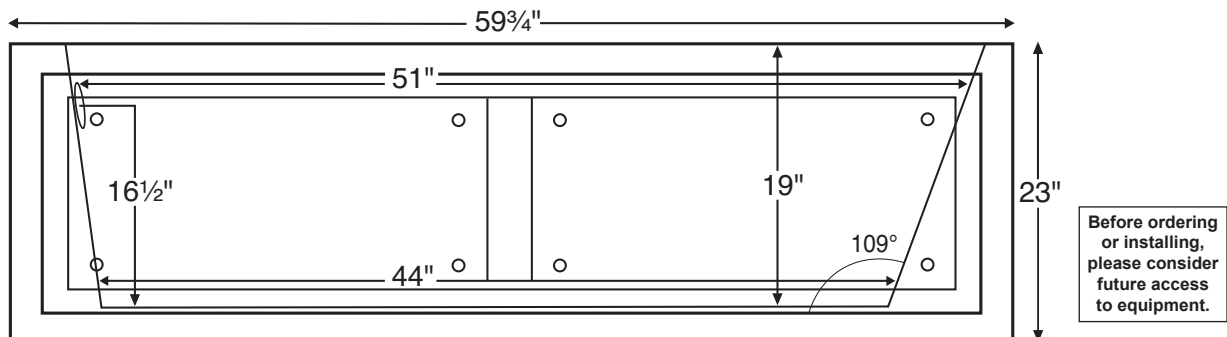


Freida features integral skirting, tile flange, and armrests.



Numbered locations on tub deck are possible Fill-Flush, Hand-Held Shower or Breda locations.

Shown with Enhanced Therapy Package.



IMPORTANT: If you are planning to use a glass enclosure, MTI must be advised when ordering for possible relocation of controls.

INSTALLATION: Suction and control locations may vary. Drawing shows best pump location. Alternate locations available—call MTI for details. Measurements are $\pm 1/2$ " and are subject to change without notice. Data herein supersedes all previous prior to publication date shown below. Tubs with more than one pump or blower will require additional service access.

