

# Georgian 1 MTI-23

## 71.5" x 41.5" x 20.125"

### GENERAL SPECIFICATIONS:

<b>Tub Size</b>	71.5" x 41.5" x 20.125"
<b>Bathing Well</b>	length: 62" top / 50.5" bottom width: 30.5" top / 25.75" bottom depth at overflow: 15.5"
<b>Plumbed Weight</b>	185 lbs / 83.99 kg
<b>Soaker Weight</b>	100 lbs / 45.40 kg
<b>Average Fill</b>	59 gal to above jet level
<b>Maximum Fill</b>	93 gal to overflow
<b>Undermountable</b>	No

### ELECTRICAL SPECIFICATIONS:

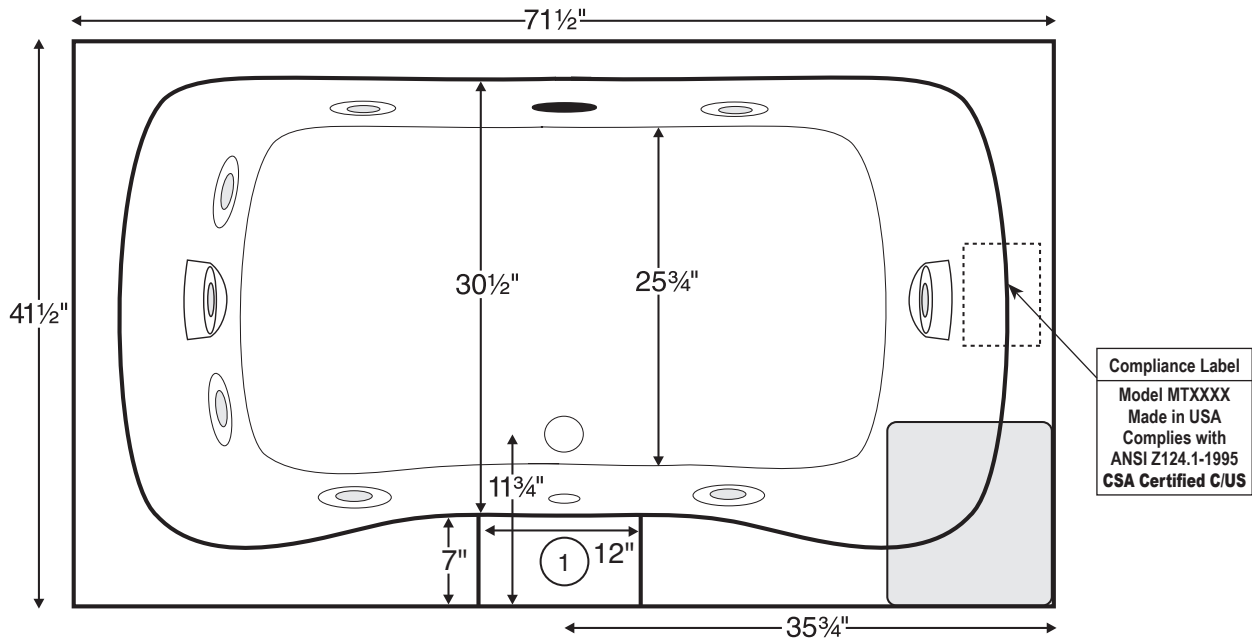
<b>Required Electrical Service</b>	110 Volt
<b>Air Bath or Standard Whirlpool</b>	1-15 amp GFCI
<b>Enhanced Whirlpool</b>	1-20 amp GFCI
<b>Standard Whirlpool w/Air</b>	2-15 amp GFCI
<b>Enhanced Whirlpool w/Air</b>	2-20 amp GFCI

CSA Certified C/US; NAHB Certified; ANSI Z124.1 for plastic tubs and ANSI 112.19.7 for whirlpool components.

NOTE: See electrical specifications page for electrical requirements of options.

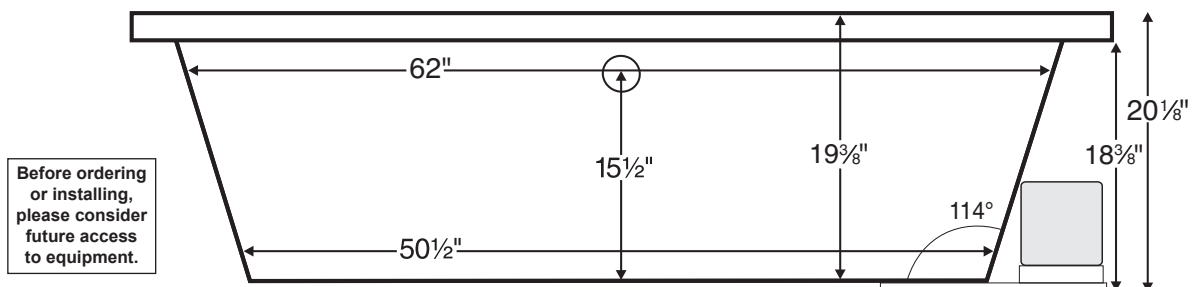


Shown with Standard Therapy Package.



Numbered location on tub deck is a possible Fill-Flush, Hand-Held Shower or Breda location.

Shown with Enhanced Therapy Package.



**IMPORTANT: If you are planning to use a glass enclosure, MTI must be advised when ordering for possible relocation of controls.**

**INSTALLATION:** Add 1"-3" to height of tub for bedding compound. MTI recommends Quickrete Sand Mix. **Air Baths add approximately 2"-3" to height of tub.** Please measure tub before building tub decking. Suction and control locations may vary. Drawing shows best pump location. Alternate locations available—call MTI for details. Measurements are ± 1/2" and are subject to change without notice. Data herein supersedes all previous prior to publication date shown below. Tubs with more than one pump or blower will require additional service access.

