

Haven MTDS-86

71.25" x 41" x 25.625"

GENERAL SPECIFICATIONS:

Tub Size	71.25" x 41" x 25.625"
Bathing Well	length: 62" top / 44" bottom width: 32.75" top / 23.5" bottom depth at overflow: 21.25"
Soaker Weight	121 lbs / 54.93 kg
Maximum Fill	110 gal to overflow
Undermountable	No

NOTE: Filling this tub to the maximum may require an above average size or dedicated water heater.

NOTE: Not recommended as a tub / shower combination.

ELECTRICAL SPECIFICATIONS:

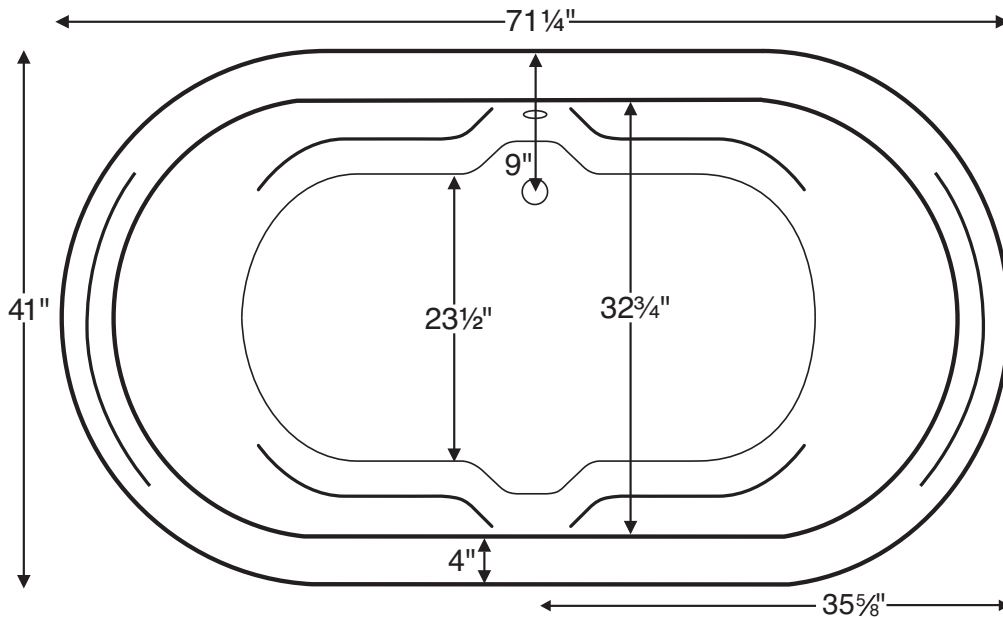
Required Electrical Service	110 Volt
Air Bath	1-15 amp GFCI

CSA Certified C/US; NAHB Certified; ANSI Z124.1 for plastic tubs and ANSI 112.19.7 for whirlpool components.

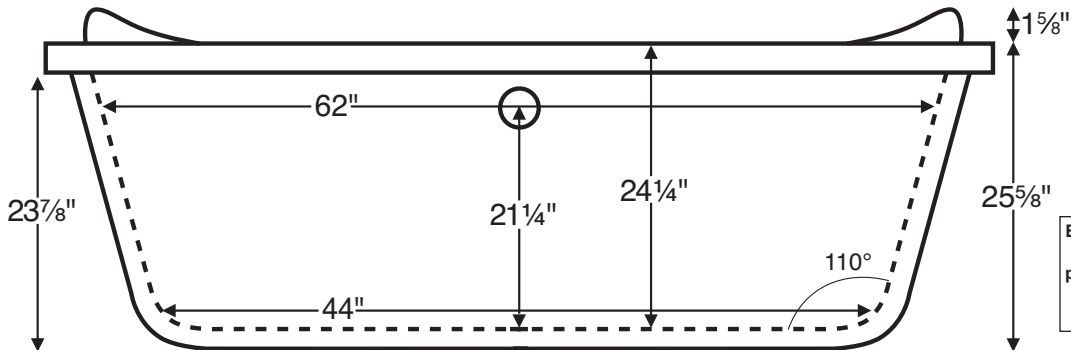
NOTE: See electrical specifications page for electrical requirements of options.



Freestanding Tub



All MTI freestanding tubs use wall-mounted or freestanding faucets. The waste and overflow assembly is concealed between the walls of the tub, eliminating the need for a decorative exposed drain kit.



Before ordering or installing, please consider future access to equipment.

Measurements are $\pm 1/2$ " and are subject to change without notice.
Data herein supersedes all previous prior to publication date shown below.