

Intarcia with Pedestal MTCT-137B 67" x 40" x 24.25"

GENERAL SPECIFICATIONS:

Tub Size	67" x 40" x 24.25"
Bathing Well	length: 62" top / 49" bottom width: 38" top / 22.25" bottom depth at overflow: 16.5"
Soaker Weight	250 lbs / 113.40 kg
Maximum Fill	90 gal to overflow
Undermountable	No

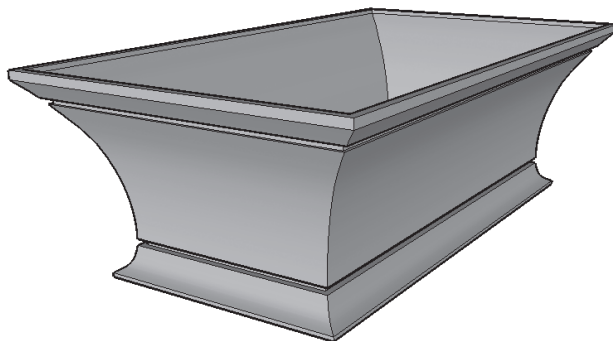
ELECTRICAL SPECIFICATIONS:

Required Electrical Service	110 Volt
Air Bath	1-15 amp GFCI

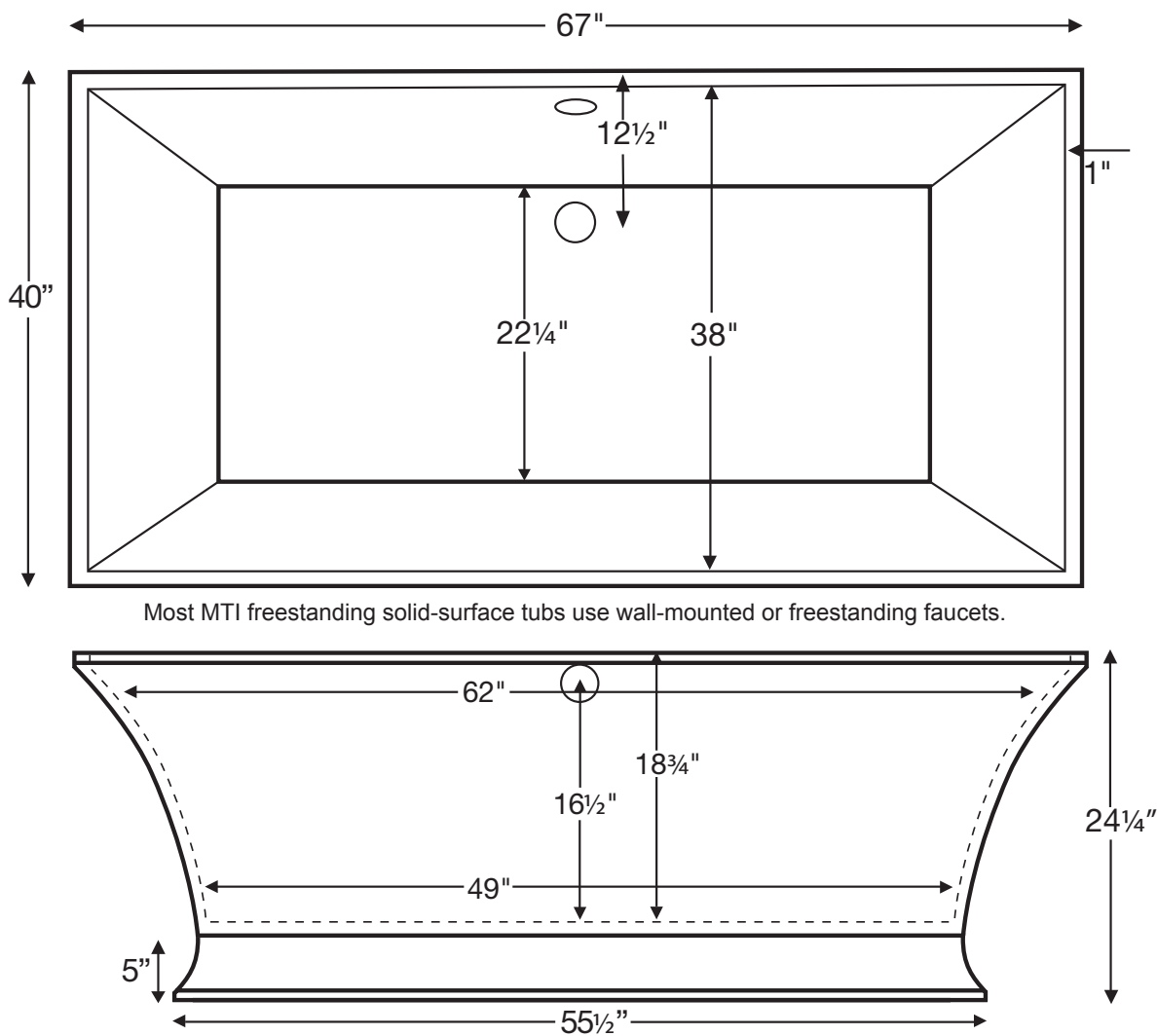
CSA Certified C/US; NAHB Certified; ANSI Z124.1.

NOTE: Filling this tub to the maximum may require an above average size or dedicated water heater.

NOTE: Not recommended as a tub / shower combination.



Freestanding Tub



Measurements are $\pm 1/2"$ and are subject to change without notice.
Data herein supersedes all previous prior to publication date shown below.

