

Marilyn MTDS-136

65.5" x 35.625" x 23.5"

GENERAL SPECIFICATIONS:

Tub Size	65.5" x 35.625" x 23.5"
Bathing Well	length: 54" top / 43" bottom width: 26.625" top / 23" bottom depth at overflow: 18"
Plumbed Weight	190 lbs / 86.4 kg
Soaker Weight	155 lbs / 70.5 kg
Maximum Fill	80 gal to overflow
Undermountable	No

NOTE: Filling this tub to the maximum may require an above average size or dedicated water heater.

NOTE: Not recommended as a tub / shower combination.

ELECTRICAL SPECIFICATIONS:

Required Electrical Service 110 Volt

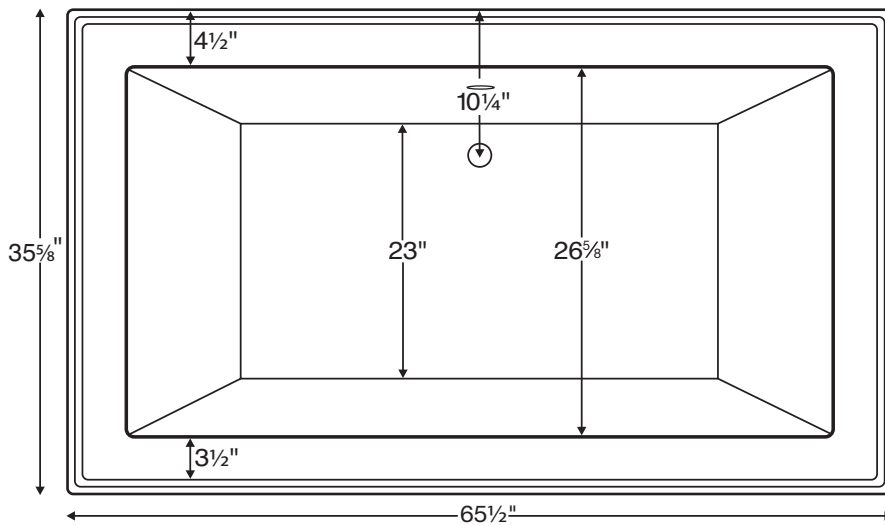
Air Bath 1-15 amp GFCI

UL Listed or CSA Certified C/US; NAHB Certified; ANSI Z124.1 for plastic tubs and ANSI 112.19.7 for whirlpool components.

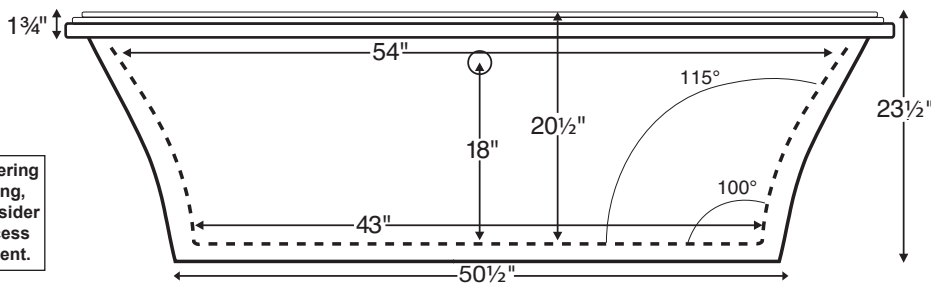
NOTE: See electrical specifications page for electrical requirements of options.



Freestanding Tub

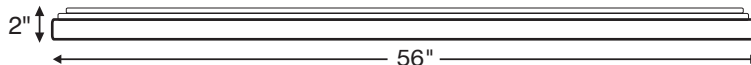


Most MTI freestanding tubs use wall-mounted or freestanding faucets. The waste and overflow assembly is concealed between the walls of the tub, eliminating the need for a decorative exposed drain kit.



Before ordering or installing, please consider future access to equipment.

NOTE: OPTIONAL PEDESTAL BASE SHIPS ATTACHED TO TUB AND MUST BE ORDERED AT TIME OF TUB PURCHASE TO ENSURE PROPER FIT AND FINISH.



Optional one-piece pedestal base.

Measurements are $\pm 1/2"$ and are subject to change without notice.
Data herein supersedes all previous prior to publication date shown below.

