

# Melinda MTDS-74

## 71.25" x 34.75" x 23.5"

### GENERAL SPECIFICATIONS:

<b>Tub Size</b>	71.25" x 34.75" x 23.5"
<b>Bathing Well</b>	length: 61" top / 46" bottom width: 26.25" top / 24" bottom depth at overflow: 18"
<b>Soaker Weight</b>	121 lbs / 54.93 kg
<b>Maximum Fill</b>	90 gal to overflow
<b>Undermountable</b>	No

NOTE: Filling this tub to the maximum may require an above average size or dedicated water heater.

NOTE: Not recommended as a tub / shower combination.

### ELECTRICAL SPECIFICATIONS:

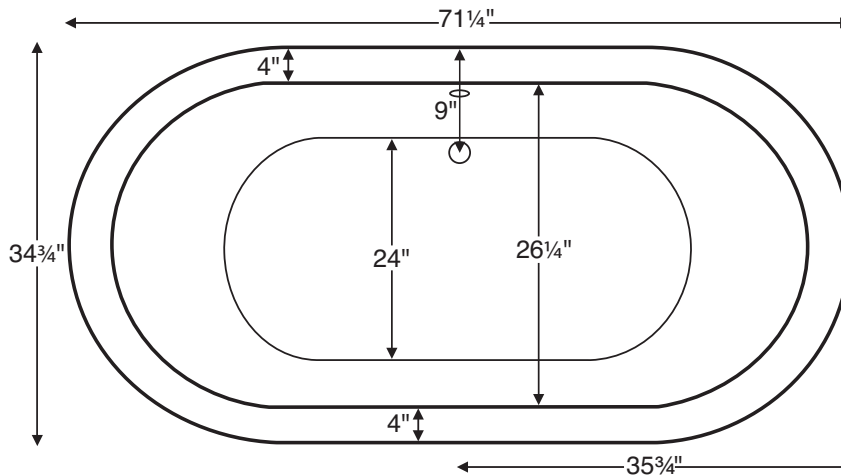
<b>Required Electrical Service</b>	110 Volt
<b>Air Bath</b>	1-15 amp GFCI

CSA Certified C/US; NAHB Certified; ANSI Z124.1 for plastic tubs and ANSI 112.19.7 for whirlpool components.

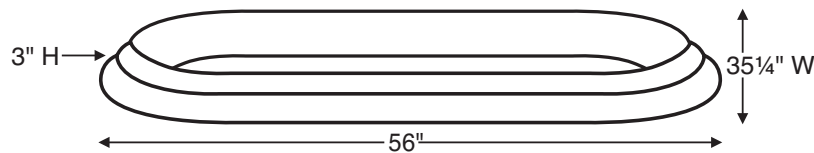
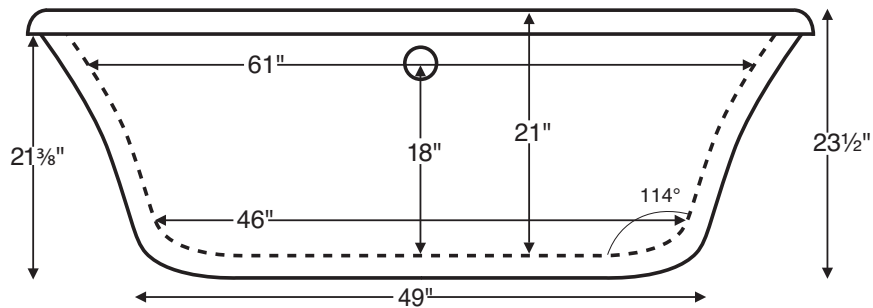
NOTE: See electrical specifications page for electrical requirements of options.



Freestanding Tub



All MTI freestanding tubs use wall-mounted or freestanding faucets. The waste and overflow assembly is concealed between the walls of the tub, eliminating the need for a decorative exposed drain kit.



Optional one-piece pedestal base.

Before ordering or installing, please consider future access to equipment.

Measurements are  $\pm 1/2$ " and are subject to change without notice.  
Data herein supersedes all previous prior to publication date shown below.

