

Mirage MTDS-43

59.5" x 30.5" / 42" x 19.75"

GENERAL SPECIFICATIONS:

Tub Size	59.5" x 30.5" / 42" x 19.75"
Bathing Well	length: 53.5" top / 45.5" bottom width: 34" top / 29.5" bottom depth at overflow: 16"
Plumbed Weight	150 lbs / 68.10 kg
Soaker Weight	100 lbs / 45.40 kg
Average Fill	45 gal to above jet level
Maximum Fill	85 gal to overflow
Undermountable	No

NOTE: Filling this tub to the maximum may require an above average size or dedicated water heater.

ELECTRICAL SPECIFICATIONS:

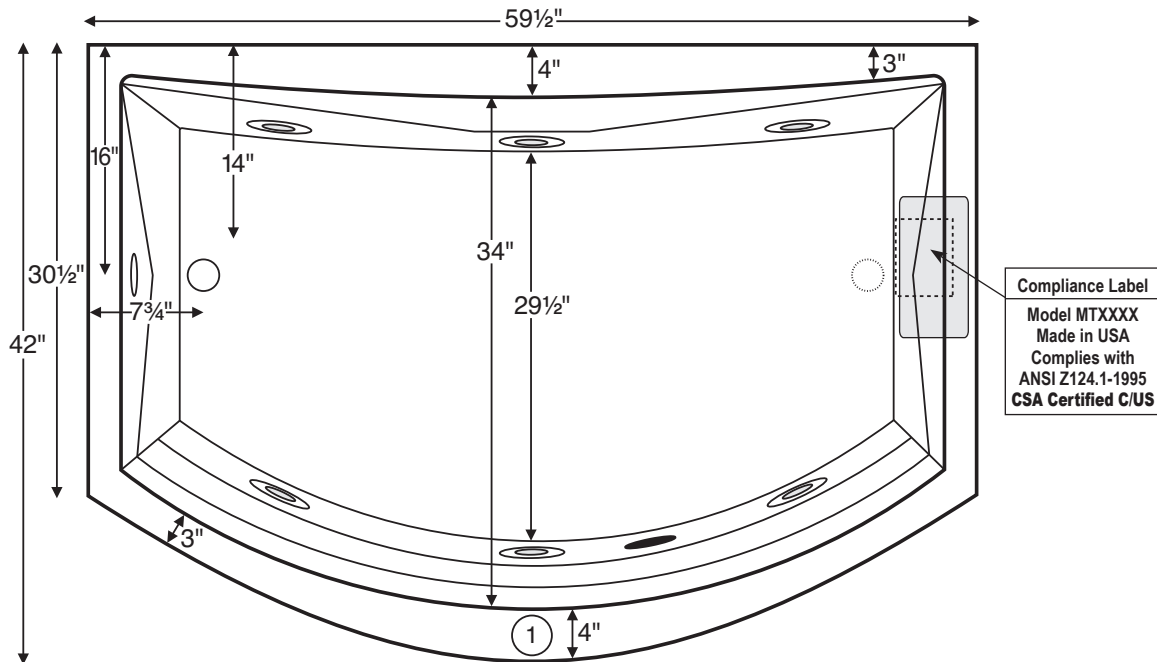
Required Electrical Service	110 Volt
Air Bath	1-15 amp GFCI
Standard Whirlpool	1-15 amp GFCI
Standard Whirlpool w/Air	2-15 amp GFCI

CSA Certified C/US; NAHB Certified; ANSI Z124.1 for plastic tubs and ANSI 112.19.7 for whirlpool components.

NOTE: See electrical specifications page for electrical requirements of options.



Shown with Standard Therapy Package.



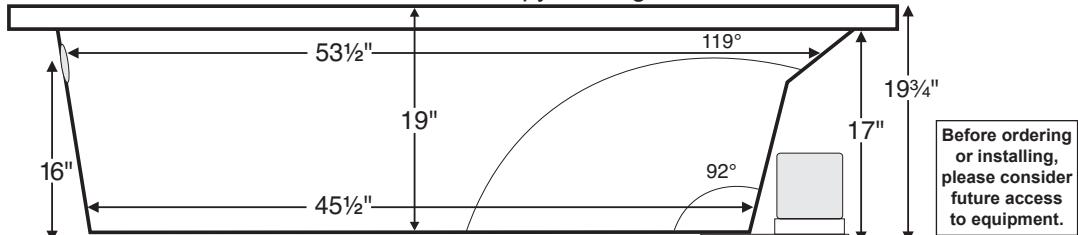
Available with left or right hand drain.

Numbered location on tub deck is possible Fill-Flush, Hand-Held Shower or Breda location.

When both are specified, the Hand-Held Shower or Breda may be located in the center of the back tub flange.

When ordered with install ease package, wall mount valves are required.

Shown with Standard Therapy Package.



IMPORTANT: If you are planning to use a glass enclosure, MTI must be advised when ordering for possible relocation of controls.

INSTALLATION: Add 1"-3" to height of tub for bedding compound. MTI recommends Quickrete Sand Mix. Air Baths add approximately 2"-3" to height of tub. Please measure tub before building tub decking. Suction and control locations may vary. Drawing shows best pump location. Alternate locations available—call MTI for details. Measurements are ± 1/2" and are subject to change without notice. Data herein supersedes all previous prior to publication date shown below. Tubs with more than one pump or blower will require additional service access.

