



Installation, Operation & Maintenance Manual

AromaSteam

mr.steam® | Feel Good Inc.

⚠️ WARNING RISK OF ELECTRIC SHOCK - This pump is supplied with a grounding conductor and grounding-type attachment plug. To reduce the risk of electric shock, be certain that it is connected only to a properly grounded, grounding-type receptacle.

⚠️ AVERTISSEMENT RISQUE DE CHOC ÉLECTRIQUE - Cette pompe est fournie avec un conducteur de mise à la terre et une fiche de branchement de type mise à la terre. Pour réduire le risque de choc électrique, assurez vous qu'il est connecté uniquement à une mise à la terre, à la terre prise.

- ⚠️ WARNING**
- Do not use with water soluble fragrance or fragrance containing emulsifiers or aldehydes. AromaSteam system damage may result. MrSteam oils are approved for operation with this system.
 - The use of any oils other than MrSteam oils may introduce excessive concentration of oil into the steam room, resulting in a health hazard.
 - Vapors may cause drowsiness and dizziness. Keep out of the reach of children. In case of contact with eyes, rinse immediately with plenty of water and seek medical advice. If swallowed, rinse mouth with water (only if the person is conscious), seek medical advice immediately and show this container or label.
 - Highly Flammable. Keep away from sources of ignition—No smoking. Keep container tightly closed & in a well-ventilated place. This material & its container must be disposed of as hazardous waste.
 - Not for use in acrylic or fiberglass rooms.
 - Material Safety Data Sheet (MSDS) available upon request

IMPORTANT NOTE: As you follow these instructions, you will notice warning and caution symbols. This blocked information is important for the safe and efficient installation and operation of this generator. These are types of potential hazards that may occur during installation and operation:

⚠️ WARNING states a hazard may cause serious injury or death if precautions are not followed.

⚠️ CAUTION signals a situation where minor injury or product damage may occur if you do not follow instructions.

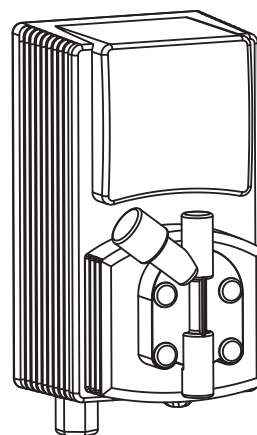
IMPORTANT NOTE: This highlights information that is especially relevant to a problem-free installation.

IMPORTANT NOTE: The warning label (supplied) shall be posted in a conspicuous location next to the steam room door.

MS Aroma

Table of Contents

Box Contents	3
General Installation	3
Installation of Hoses	4
Assembly Diagram	5
Electrical Wiring	6
Start-up	
Initial Priming	6
Filling the Pressure Hose	6
Operation	7
Adjusting amount of oil delivery	7
Troubleshooting	8
Technical Information	8



AromaSteam

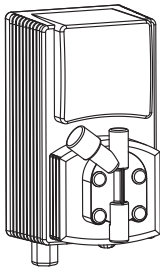
(for illustrative purposes only)

⚠️ WARNING

This room is equipped with an aromatic oil dispensing system
 Leave the room immediately if you have any adverse or allergic reactions, including difficulty breathing or eye, nasal, throat, or skin irritation and seek medical attention.

mr.steam® 43-20 34th Street, Long Island City NY 11101 1-800-76 STEAM www.mrsteam.com PUR100405 2/06

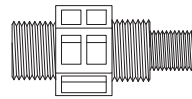
BOX CONTENTS



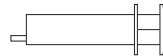
AromaSteam System
(with integrated 6 ft. power cord,
8 ft. request cable)



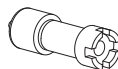
**8 ft.
Pressure
Hose**



**1/4 x 1/2 NPT
Atomizing Nozzle**



Injector



Foot Valve



Installation & Operation Manual
with Peel-off Warning Label

Additional Items Included but Not Shown:

- 2x Mounting Screws and Anchors
- Soft Tubing for priming with injector

GENERAL INSTALLATION

! WARNING Do Not alter or modify any MrSteam product. Doing so may result in an inoperable or hazardous installation and will void the warranty.

! CAUTION The AromaSteam system is qualified for use with MrSteam® residential and CT steam generators **ONLY**.

IMPORTANT NOTE: AromaSteam is for use with AirTempo®, iSteam® and iTempoPlus® controls only.

1. Locate the AromaSteam system to monitor the consumption of essential oils and for easy oil replacement.
2. The warning sticker provided must be placed in a conspicuous location near the steam room door.
3. MrSteam AromaSteam System is designed and intended for indoor use only and is to be located indoors in a dry clean location and not subject to moisture, condensation or similar high humidity environments.
4. Do not install AromaSteam Systems outdoors.
5. Do not install AromaSteam Systems in a location where water could freeze.
6. Do not install AromaSteam Systems near flammable or corrosive materials and chemicals. Installation in areas having high concentrations of chlorine (such as pool equipment room) should be avoided.
7. Attach the AromaSteam System onto a secure vertical surface.
8. Provide access to AromaSteam System for servicing, and refills.
9. The system should not be installed in areas accessible to children. A LOCKED ROOM IS STRONGLY RECOMMENDED (ie: utility room)
10. Height difference between AromaSteam System discharge and 90 degree T is to be held to a maximum 6 ft. (see page 5).
11. Do not exceed 30 feet of tubing between the pump head and atomizing nozzle.
12. Ensure the essential oil container is placed on a level surface.
13. Essential oil container must be installed directly below the pump. The maximum distance from the pump to the bottom of the container is 4 feet.

! WARNING

This room is equipped with an aromatic oil dispensing system
Leave the room immediately if you have any adverse or allergic reactions, including difficulty breathing or eye, nasal, throat, or skin irritation and seek medical attention.

mr.steam® 43-20 34th Street, Long Island City NY 11101 1-800-76 STEAM www.mrsteam.com PUR100405 2/06

Warning Sticker (Not actual size)

GENERAL INSTALLATION (cont.)

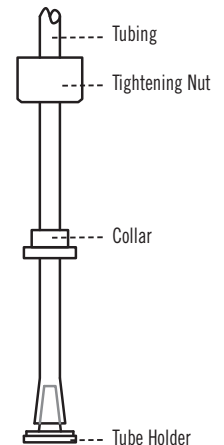
Clearance to heat sources

- Do not install the AromaSteam system directly below or above the MrSteam steam generator where it is subject to heat.
- Minimum distance between the AromaSteam system and a heat source (e.g. steam generator, heating system) is 1.5 ft. If this minimum distance of 1.5 ft cannot be maintained, install a radiation plate or heat insulation between the heat source and AromaSteam system.
- Ambient temperature at and around the AromaSteam system should not exceed 90° F.

Tubing Connections

1. Completely unscrew tightening nut from pump head (or fitting) and remove components
2. Assemble tubing components as shown in figure 1.
3. Insert tubing into tubing holder until it reaches the bottom.
Lubricate the ID of the tubing as required with soap to facilitate insertion.

Figure 1

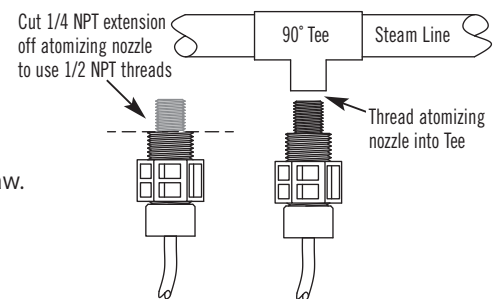


CAUTION To prevent damage do not use tools to tighten the nut.

Installing the 90 degree T and Atomizing Nozzle

1. For optimal results locate a brass 90 degree **T** (not provided) and atomizing nozzle in the steam supply line within 10 feet of the steam head. If using copper tubing for steam lines, install a female 1/2 NPT or 1/4 NPT reducing Tee in the steam line facing downward.
2. **T** must face downward as shown (in figure 2).
3. If a 1/2 NPT tee is used, cut off the 1/4 NPT portion of the injector with a hacksaw.
4. Screw the atomizing nozzle into 90° **T** fitting using teflon tape on the threads.

Figure 2

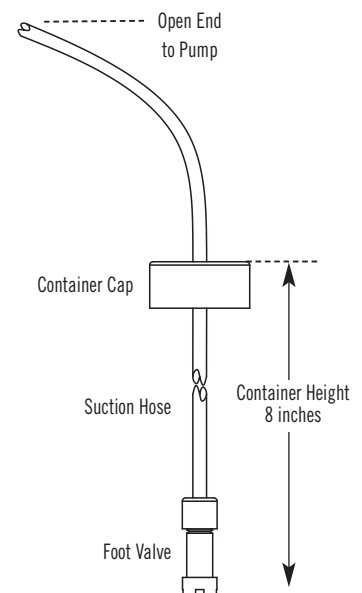


IMPORTANT NOTE: Follow the installation instructions for the steam pipeline in the MrSteam Steam Bath Installation and Operation Manual. Visit www.mrsteam.com to download this document.

Installation of Pressure Hose to AromaSteam System

1. Insert the pressure hose through the hole of the pressure end nut and firmly push the pressure hose onto the pressure valve.
2. Screw the pressure end nut onto the pressure valve and tighten the nut by **HAND** only.

Figure 3



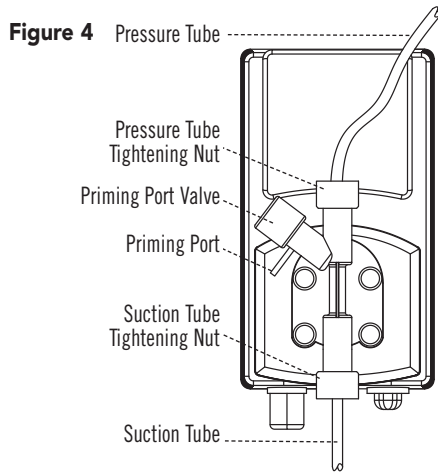
Installation of Suction Hose in Scent Container

1. Locate the "container cap" included with the bottle of oil.
2. Unscrew the cap from the MrSteam scent container and discard.
3. Insert the suction hose with the open end from below through the hole in the container cap (see Fig. 3).
4. Insert the foot valve into the scent container so that the foot valve rests on the bottom.
5. Screw the cap onto the scent container.

Installation of Suction Hose to AromaSteam System

1. Unscrew the suction end nut from the pump head.
2. Assemble the tubing connection as shown in figure 1 on page 4.
3. Screw the suction tube tightening nut to the suction side of the pump

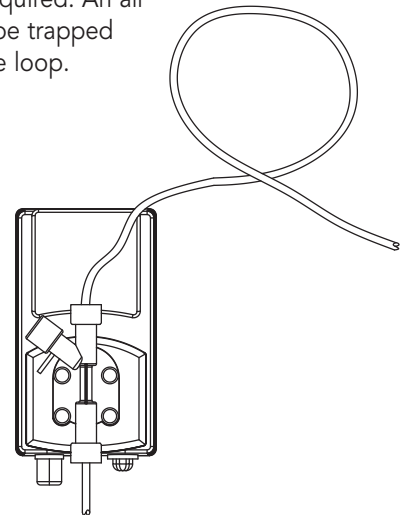
IMPORTANT NOTE: HAND-TIGHTEN ONLY.



Pressure Hose

Repeat the suction hose installation steps on the pressure side of the pump.

MrSteam recommends installing the AromaSteam lower than the Atomizing nozzle. If the pump must be installed higher than the atomizing nozzle a loop should be placed in the pressure tubing to prevent syphoning as required. An air bubble should be trapped at the top of the loop.

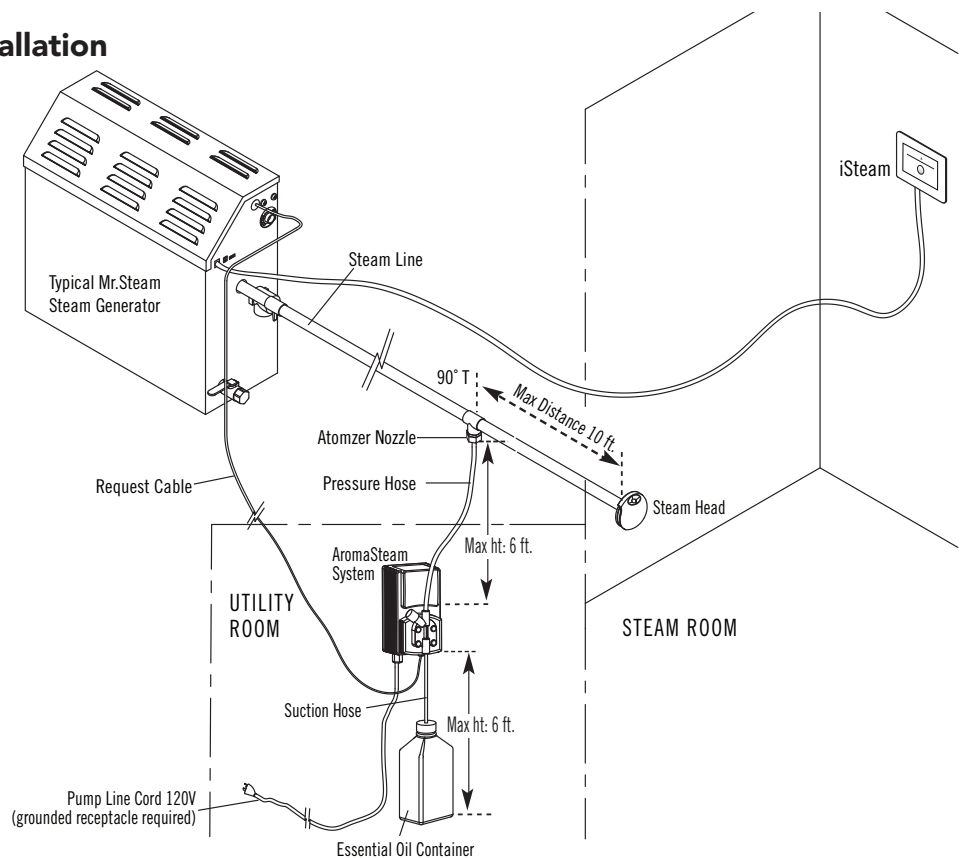


Typical AromaSteam Installation

FOR USE WITH AIRTEMPO®, iSTEAM® AND iTEMPO/PLUS® CONTROLS ONLY

Locate the AromaSteam system to monitor the consumption of essential oils and for easy oil replacement.

NOTE: CABLES SHOULD NOT CONTACT STEAM PIPE.



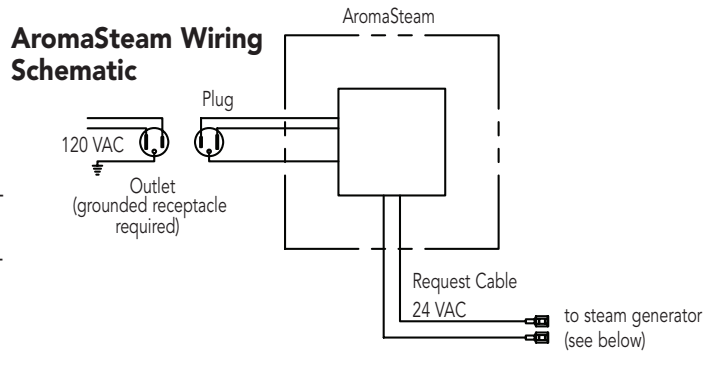
For illustrative Purposes Only

Electrical Connection of AromaSteam System

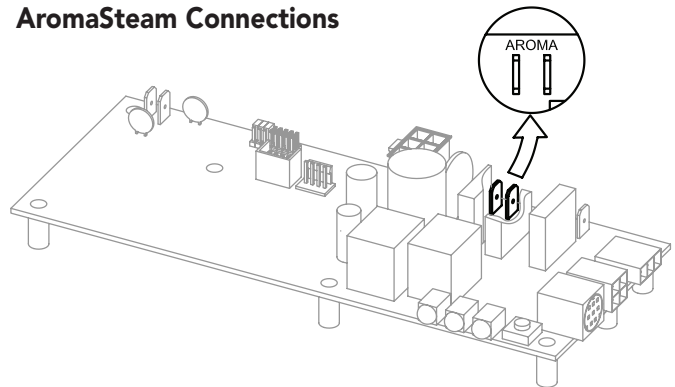
CAUTION This AromaSteam system is factory wired. If the power cord of the Aroma Steam system is damaged it must be replaced by the Sussman-Automatic service department or similarly qualified personnel in order to avoid an electric shock hazard. All electrical connections to be made by a licensed, qualified electrician. Disconnect all power to the steam generator before making power connections.

IMPORTANT NOTE: AromaSteam is for use with AirTempo® iSteam® and iTempoPlus® controls only.

1. Disconnect all power to the MrSteam steambath generator and remove the top cover.
2. Run the request cable from the AromaSteam System through one of the knock outs in the side of the steambath generator. Use a strain relief bushing or grommet to prevent chafing.
3. Locate the two quick connect tabs labeled "AROMA" on the PC board in the location show.
4. Connect the request cable to the terminals. The terminals are not polarized.



AromaSteam Connections



START-UP

Initial Priming of the Pump

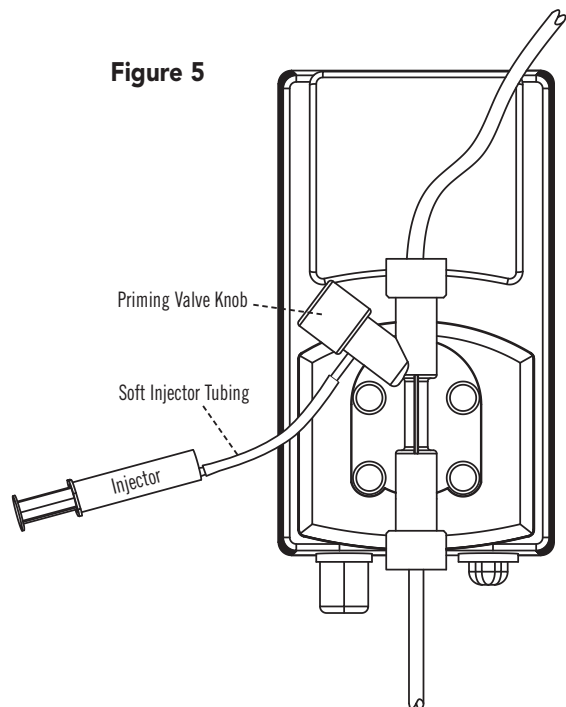
1. Insure MrSteam scent container is full.
2. Insert a short piece of soft injector hose onto the tip of the injector (see Fig. 5).
3. Insert the open end of the injector hose onto the pressure valve (see Fig. 5).
4. Open the priming valve by turning the knob counter clockwise 1 full revolution.
5. Draw liquid from the injector slowly and evenly. Continue until the injector is full of liquid.
6. If you have drawn up the injector completely and no liquid is in the injector, remove the injector hose from the pressure valve.
7. Drain injector. Repeat steps until the injector is filled.
8. Save the oil injector as it will be needed when new oils are used.
9. Close the priming valve completely by turning the knob clockwise.

CAUTION Failing to close the valve will result in oil leaking from the priming port.

Filling the Pressure Hose

1. Insure the AromaSteam System is primed and the scent container is full.
2. Insert the open end of the injector into the pressure hose.
3. Draw liquid from the injector slowly and evenly. Continue until the pressure hose if full of liquid.

Figure 5



OPERATION

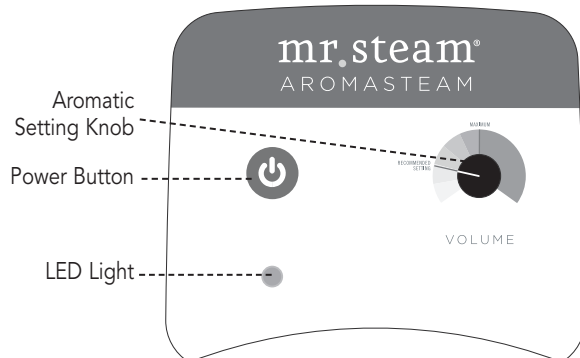
Powering Up the Pump

IMPORTANT NOTE: This step only needs to be performed during installation.

1. The pump needs to be turned on before it can be used
2. Press and hold the power button for 2 seconds. The LED will turn on solid red.

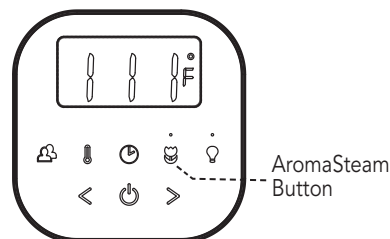
PUMP LED LIGHT:

- | | |
|----------------|---|
| Blinking Amber | Pump is OFF |
| Solid Red | Pump is ON, aroma has not been activated on in-shower control |
| Solid Amber | Pump is ON, aroma has been activated on in-shower control |



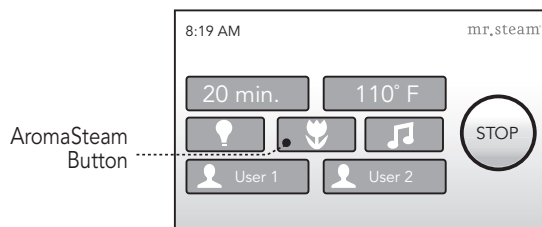
Air Tempo®

1. Press the ON/OFF button to turn the steam generator ON.
2. Press the AROMA button, AROMA will be displayed on the screen when AromaSteam is on.
3. Aroma oils will automatically be pumped into the steam line at preset intervals.



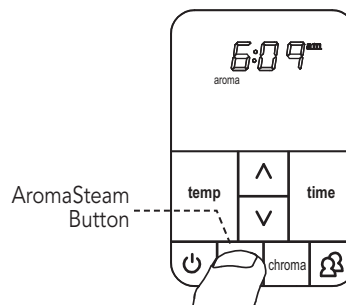
iSteam®

1. Press the START button to turn the steam generator on.
2. In the dashboard press the AROMA button, the button will be highlighted when AromaSteam is on.
3. Aroma oils will automatically be pumped into the steam line at preset intervals.



iTempoPlus®

1. Press the ON/OFF button to turn the steam generator ON.
2. Press the AROMA button, AROMA will be displayed on the screen when AromaSteam is on.
3. Aroma oils will automatically be pumped into the steam line at preset intervals.

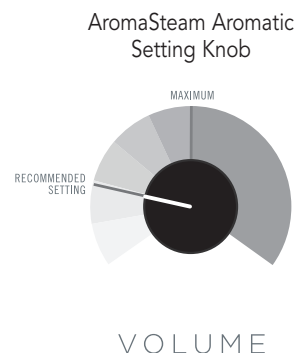


Adjusting the Amount of Oil Delivery

The AromaSteam system has been factory set to deliver a suitable amount of aromatic oil into a typical sized steam room. Do not exceed the maximum setting. Please contact the MrSteam Technical Service Department before changing this setting.

Contact the MrSteam Technical Service Dept. at (800) 76-STEAM (East coast) or (800) 72-STEAM (West Coast) for assistance or additional information.

⚠️WARNING Increasing the settings may introduce excessive concentration of oil into the steam room, resulting in a health hazard.



TROUBLESHOOTING

⚠️WARNING TO AVOID ELECTRIC SHOCK, DISCONNECT POWER TO PUMP BEFORE SERVICING

Metering pump does not prime

1. Check if voltage is available.
2. Check liquid level in scent container. Replenish liquid, if necessary.
3. Check for air bubbles in the suction hose or the pump head.
To eliminate air bubbles see: Priming Pump.
4. Check valves for contamination. Clean valves, if necessary.
5. Check foot valve in container for contamination. Rinse foot valve under clean water.

Metering pump does not inject oil into steam room

1. Check if voltage is available.
2. Check liquid level in scent container. Replenish liquid if necessary.
3. Check for air bubbles in the suction hose or the pump head.
To eliminate air bubbles see: Priming Pump.
4. Check valves for contamination. Clean valves, if necessary.
5. Check foot valve in container for contamination. Rinse foot valve under clean water.
6. Check the pressure hose for kinking or jamming. Straighten or replace.
7. Check if liquid is freely flowing through the atomizing nozzle when the metering pump is energized. Apply compressed air through the atomizing nozzle. Attach the compressed air at the point of connection of the pressure hose.
8. Ensure the pump has been powered up. See page 7.

Metering pump oil delivery too much or too little

⚠️WARNING The AromaSteam system has been factory set to deliver a suitable amount of aromatic oil into a typical sized steam room. Please contact the MrSteam Technical Service Department before changing this setting. See page 7 for instructions on adjusting the amount of oil delivery.

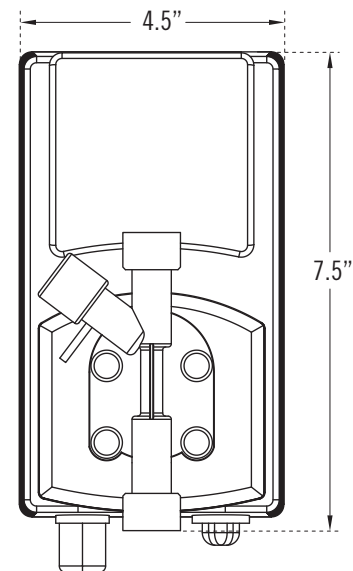
Contact the MrSteam Technical Service Dept. at (800) 76-STEAM (East coast) or (800) 72-STEAM (West Coast) for assistance or additional information.

TECHNICAL SPECIFICATIONS

LIST OF SPARE PARTS

Description	Part No.
Pump Head	104239
Pressure/Suction Hose <i>(ordered by the foot)</i>	EO1-1032
Eucalyptus oil, 1 liter	MS OIL 1
Lavender oil, 1 liter	MS OIL 2
Evergreen oil, 1 liter	MS OIL 3
Energizing Mint oil, 1 liter	MS OIL 4
Breathe oil, 1 liter	MS OIL 5
Atomizing Nozzle	104240
Oil Injector	103983
Foot Valve	104241

Dimensions:	7.5"W x 4.5"H x 4.5"D
Weight:	5 pounds
Motor voltage	120VAC, 50/60 Hz
Current Draw	0.5 Amps



WARRANTY: To view or download the MrSteam Control Warranty and register your product go to:
blog.mrsteam.com/wr

